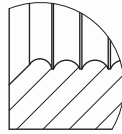
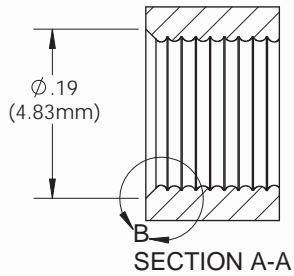
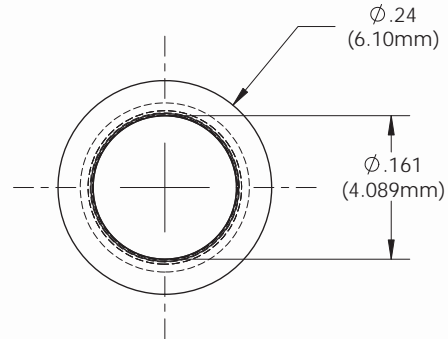
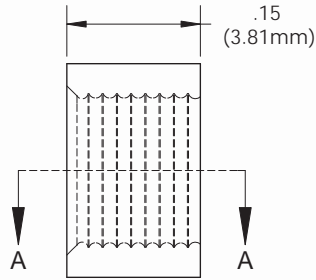


NOTES:
 1) FINISH: Parts shall have a smooth appearance, min. 600 surface finish, with no gates and all flash removed
 2) U.S. & Foreign Pat. Issued and Pend.

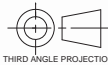
REVISIONS				
ECN #	REV	DESCRIPTION	DATE	INITIALS
	N/A	INITIAL RELEASE	10/25/85	JS
	001	REVISED PER ECR111009AZ01	2/8/10	KH



DETAIL B
 SCALE 12 : 1



ISOMETRIC VIEW
 SCALE 4:1

<small>UNLESS OTHERWISE SPECIFIED DIMENSIONS ARE IN INCHES.</small> ANGLES DECIMALS $\pm 1^\circ$ X $\pm .020$ FINISH .XX $\pm .010$.XXX $\pm .005$ BREAK ALL CORNERS AND SHARP EDGES .25X MAX	MATERIAL Polypropylene UL 94-HB	VISUAL COMMUNICATIONS COMPANY 190 Bosstick Boulevard, Suite 101 San Marcos, CA 92069 USA Phone (760) 560-1300 Fax (760) 560-1301 email vccsales@vccite.com		
	FINISH SEE NOTES	TITLE: CLIPLITE RNG 165		
<small>THIRD ANGLE PROJECTION</small>  <small>PROPRIETARY AND CONFIDENTIAL</small> <small>THE INFORMATION CONTAINED IN THIS DRAWING IS THE SOLE PROPERTY OF VISUAL COMMUNICATIONS COMPANY, INC. ANY REPRODUCTION IN PART OR AS A WHOLE WITHOUT THE WRITTEN PERMISSION OF VISUAL COMMUNICATIONS COMPANY, INC. IS PROHIBITED.</small>	APPROVALS	DATE	SIZE	DWG. NO.
	DRAWN K.HOWARD	2/8/10	A	RNG 165
	CHECKED DPZ	2/22/10	SCALE: 6:1	
DO NOT SCALE DRAWING			SHEET 1 OF 1	

5

4

3

2

1

X-ON Electronics

Largest Supplier of Electrical and Electronic Components

Click to view similar products for [LED Mounting Hardware](#) category:

Click to view products by [Visual Communications Company](#) manufacturer:

Other Similar products are found below :

[00624250](#) [00624750](#) [M2200](#) [7047](#) [990-4901-010](#) [990-8115-001](#) [CMP22](#) [M16-T1](#) [C-101](#) [L2K-L4GD](#) [L2K-L5XL](#) [LDN51-125SL/BT](#)
[00624500](#) [7046](#) [7056](#) [SN3486](#) [26-0053](#) [TC4-R-](#) [SLQ16](#) [LM6-2](#) [LM12-1](#) [LM10-1](#) [CM00624375](#) [CM00624900](#) [RNG132](#) [FIX-LEDH-10.5](#)
[FIX-LEDH-11](#) [FIX-LEDH-11.5](#) [FIX-LEDH-12](#) [FIX-LEDH-14](#) [FIX-LEDH-17](#) [FIX-LEDH-18](#) [FIX-LEDH-4](#) [FIX-LEDH-4.5](#) [FIX-LEDH-7.5](#)
[FIX-LEDH-9.5](#) [FIX-LEDS-1.5](#) [FIX-LEDS-2](#) [FIX-LEDS-3.5](#) [FIX-LEDT-11](#) [FIX-LEDT-20](#) [FIX-LEDT-26](#) [FIX-LEDT-5](#) [FIX-LEDT-9](#)
[SQLEDS2-4-26](#) [7382](#) [CNXDX4624](#) [CNXDX4608](#) [CNXDF4608](#) [4740](#)