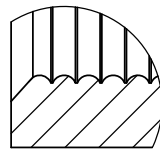
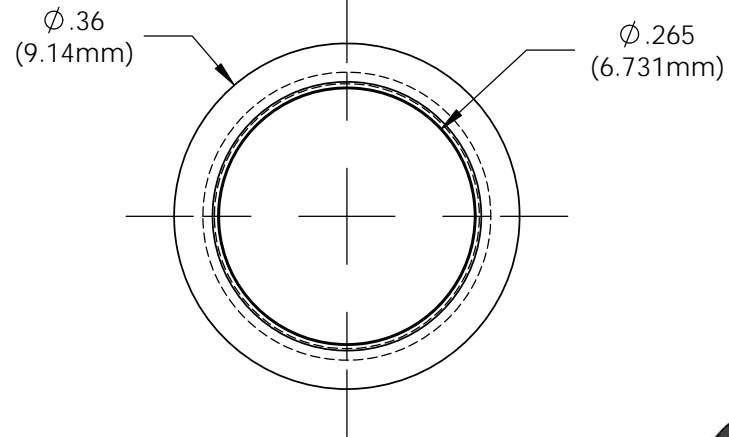
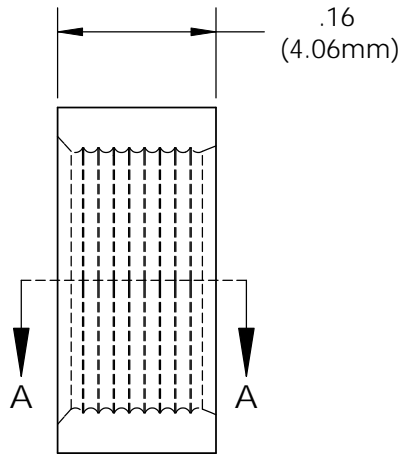


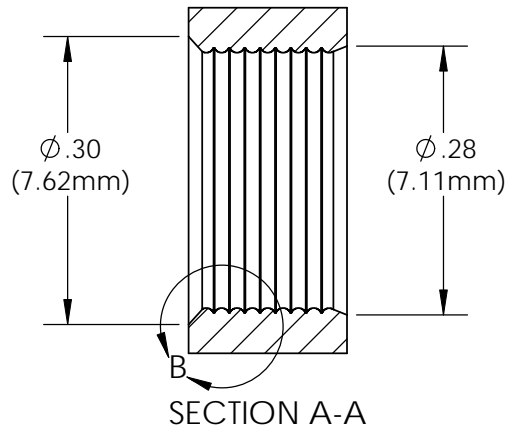
**NOTES:**

1. U.S. & Foreign Pat. Issued & Pend.

REVISIONS				
ECN #	REV	DESCRIPTION	DATE	INITIALS
	1	VARIOUS	7/94	JS
	2	WAS .275 IS .272	9/26/02	JS
	3	WAS .272 IS .265	10/17/02	JS
	001	REVISED PER ECR111009AZ01	2/11/10	KH
145	002	CHANGE IN MATERIAL	7/12/10	KH



DETAIL B  
SCALE 8 : 1



ISOMETRIC VIEW  
4:1

<small>UNLESS OTHERWISE SPECIFIED DIMENSIONS ARE IN INCHES: ANGLES ± 1°    DECIMALS .X ± .020                   .XX ± .010 FINISH        .XXX ± .005  BREAK ALL CORNERS AND SHARP EDGES .050 MAX</small>	<b>MATERIAL</b> POLYPROPYLENE, BLACK		<b>VISUAL COMMUNICATIONS COMPANY</b> 190 Bosstick Boulevard, Suite 101 San Marcos, CA 92069 USA Phone (760) 560-1300 Fax (760) 560-1301 email vccsales@vcclite.com		
	<b>FINISH</b> SEE NOTES		<b>TITLE:</b> CLIPMOUNT RING RNG 268		
	<b>APPROVALS</b>	<b>DATE</b>	<b>SIZE</b> A	<b>DWG. NO.</b> RNG 268	<b>REV</b> 002
	DRAWN K.Howard CHECKED DPZ	2/11/10 2/22/10	SCALE: 5:1		SHEET 1 OF 1
<small>THIRD ANGLE PROJECTION</small>					
<small>PROPRIETARY AND CONFIDENTIAL THE INFORMATION CONTAINED IN THIS DRAWING IS THE SOLE PROPERTY OF VISUAL COMMUNICATIONS COMPANY, INC. ANY REPRODUCTION IN PART OR AS A WHOLE WITHOUT THE WRITTEN PERMISSION OF VISUAL COMMUNICATIONS COMPANY, INC. IS PROHIBITED.</small>					

## X-ON Electronics

Largest Supplier of Electrical and Electronic Components

*Click to view similar products for [LED Mounting Hardware](#) category:*

*Click to view products by [Visual Communications Company](#) manufacturer:*

Other Similar products are found below :

[00624250](#) [00624750](#) [M2200](#) [7047](#) [990-4901-010](#) [990-8115-001](#) [CMP22](#) [M16-T1](#) [C-101](#) [L2K-L4GD](#) [L2K-L5XL](#) [LDN51-125SL/BT](#)  
[00624500](#) [7046](#) [7056](#) [SN3486](#) [26-0053](#) [TC4-R-](#) [SLQ16](#) [LM6-2](#) [LM12-1](#) [LM10-1](#) [CM00624375](#) [CM00624900](#) [RNG132](#) [FIX-LEDH-10.5](#)  
[FIX-LEDH-11](#) [FIX-LEDH-11.5](#) [FIX-LEDH-12](#) [FIX-LEDH-14](#) [FIX-LEDH-17](#) [FIX-LEDH-18](#) [FIX-LEDH-4](#) [FIX-LEDH-4.5](#) [FIX-LEDH-7.5](#)  
[FIX-LEDH-9.5](#) [FIX-LEDS-1.5](#) [FIX-LEDS-2](#) [FIX-LEDS-3.5](#) [FIX-LEDT-11](#) [FIX-LEDT-20](#) [FIX-LEDT-26](#) [FIX-LEDT-5](#) [FIX-LEDT-9](#)  
[SQLEDS2-4-26](#) [7382](#) [CNXDX4624](#) [CNXDX4608](#) [CNXDF4608](#) [4740](#)