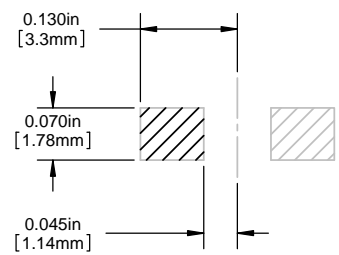
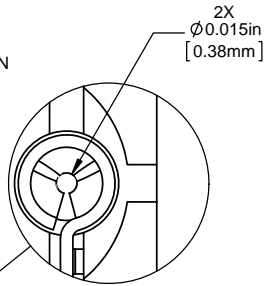


- NOTES:
1. ROHS COMPLIANT
 2. MATERIAL: HOUSING - NYLON 6/6, U.L. 94-V0 RATING, BLACK (UNLESS OTHERWISE SPECIFIED)
CONTACTS - PHOSPHOR BRONZE, TIN PLATED
 3. MOUNTING: SOCKET MOUNTS ON .250" [6.35mm] CENTERS. INSERT COMPONENT LEADS THRU THE MOUNTING PAD END OF SOCKET
 4. OPTO: STANDARD VISIBLE, IR LED, OR PHOTO DETECTOR WITH LEADS ON .100" [.25mm] CENTERS
 5. LED LEAD DIMENSIONS: MINIMUM .017" [.43mm] ROUND OR SQUARE SHAPE. MAXIMUM .030" [.76mm] THICKNESS - .040" [1.02mm] WIDTH
 6. U.S. & FOREIGN PATENTS ISSUED

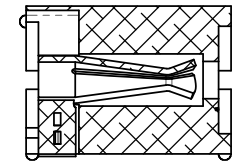
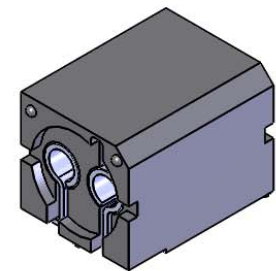
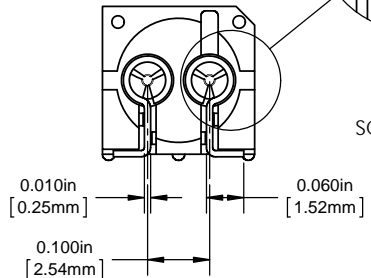
REVISIONS					
ECN #	REV.	DESCRIPTION	DATE	INITIALS	CHK'D
	001	REVISED PER ECR 111009AZ01	6/20/10	SMU	DZ
426	002	REVISED PER ECR 041212KH02	4/13/12	KH	ED



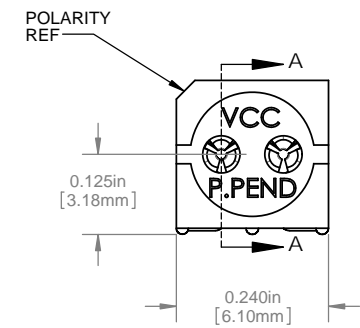
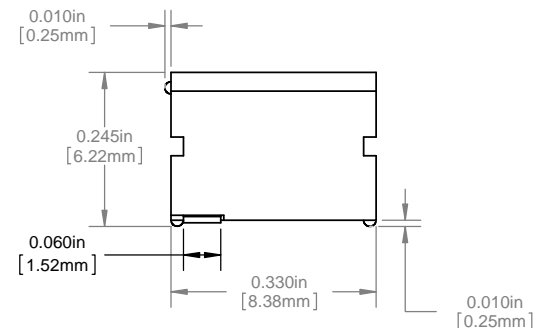
SMD PAD PATTERN



DETAIL B
SCALE 10 : 1



SECTION A-A



ORDERING CODE : SMD 330

<small>DIMENSION STYLE: INCHES (MM) GENERAL TOLERANCES UNLESS OTHERWISE SPECIFIED</small> <table border="1"> <tr> <th>INCHES</th> <th>MM</th> </tr> <tr> <td>X</td> <td>± .020 ± .508</td> </tr> <tr> <td>XX</td> <td>± .010 ± .254</td> </tr> <tr> <td>XXX</td> <td>± .005 ± .127</td> </tr> </table>	INCHES	MM	X	± .020 ± .508	XX	± .010 ± .254	XXX	± .005 ± .127	<small>APPROVAL</small> DRAWN SMU 6/20/10 CHECKED DZ 6/20/10	<small>DATE</small> 6/20/10	 12780 DANIELSON CT, SUITE A, POWAY, CA 92064 U.S.A PHONE: (800) 522-5546 EMAIL: vccsales@vcc-lite.com
	INCHES	MM									
X	± .020 ± .508										
XX	± .010 ± .254										
XXX	± .005 ± .127										
<small>BREAK ALL CORNERS AND SHARP EDGES 90° MAX</small> <small>THIRD ANGLE PROJECTION</small> <small>PROPRIETARY AND CONFIDENTIAL</small> <small>THE INFORMATION CONTAINED IN THIS DRAWING IS THE SOLE PROPERTY OF VISUAL COMMUNICATIONS COMPANY, INC. ANY REPRODUCTION IN PART OR AS A WHOLE WITHOUT THE WRITTEN PERMISSION OF VISUAL COMMUNICATIONS COMPANY, INC IS PROHIBITED.</small>	<small>MATERIAL</small> SEE NOTES	<small>DATE</small> 6/20/10	<small>TITLE:</small> P-C-LITE® HORIZONTAL MOUNT								
<small>FINISH</small> SEE NOTES	<small>SCALE:</small> 5:1	<small>SIZE</small> DWG. NO. B SMD 330	<small>REV</small> 002								
<small>DO NOT SCALE DRAWING</small>	<small>SHEET</small> 1 OF 1	<small>SCALE:</small> 5:1	<small>SHEET</small> 1 OF 1								

X-ON Electronics

Largest Supplier of Electrical and Electronic Components

Click to view similar products for [LED Mounting Hardware](#) category:

Click to view products by [Visual Communications Company](#) manufacturer:

Other Similar products are found below :

[00624250](#) [00624750](#) [M2200](#) [7047](#) [990-4901-010](#) [990-8115-001](#) [CMP22](#) [M16-T1](#) [C-101](#) [L2K-L4GD](#) [L2K-L5XL](#) [LDN51-125SL/BT](#)
[00624500](#) [7046](#) [7056](#) [SN3486](#) [26-0053](#) [TC4-R-](#) [SLQ16](#) [LM6-2](#) [LM12-1](#) [LM10-1](#) [CM00624375](#) [CM00624900](#) [RNG132](#) [FIX-LEDH-10.5](#)
[FIX-LEDH-11](#) [FIX-LEDH-11.5](#) [FIX-LEDH-12](#) [FIX-LEDH-14](#) [FIX-LEDH-17](#) [FIX-LEDH-18](#) [FIX-LEDH-4](#) [FIX-LEDH-4.5](#) [FIX-LEDH-7.5](#)
[FIX-LEDH-9.5](#) [FIX-LEDS-1.5](#) [FIX-LEDS-2](#) [FIX-LEDS-3.5](#) [FIX-LEDT-11](#) [FIX-LEDT-20](#) [FIX-LEDT-26](#) [FIX-LEDT-5](#) [FIX-LEDT-9](#)
[SQLEDS2-4-26](#) [7382](#) [CNXDX4624](#) [CNXDX4608](#) [CNXDF4608](#) [4740](#)