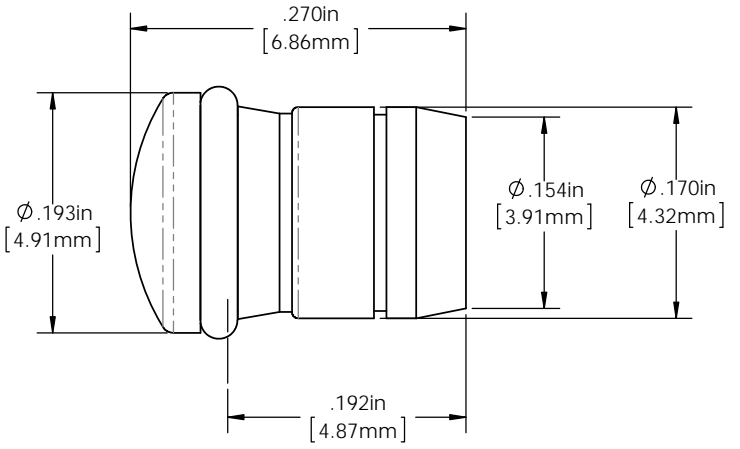
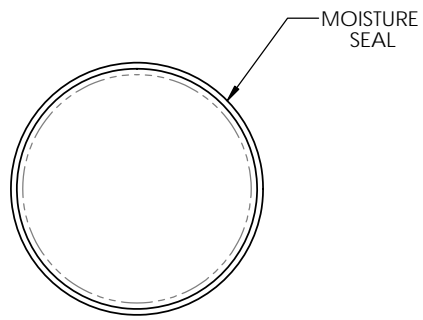
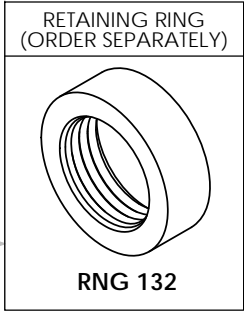


8 7 6 5 4 3 2 1

- NOTES:**
1. ROHS COMPLIANT
 2. MATERIAL: LENS - POLYCARBONATE, UL 94-V2
 3. MOISTURE SEAL - EPDM
 4. MOUNTING: MOUNTS IN A $\phi .171" \pm .002$ [$\phi 4.34\text{mm} \pm .05$] PANEL HOLE ON $.250"$ [6.35mm] CENTER
 5. PANEL HOLE SHALL BE DEBURRED, BUT NOT CHAMFERED
 6. PANEL THICKNESS: $.031"$ [.8 mm] to $.094"$ [2.39mm]
 7. ASSEMBLY:
 - A.) INSERT LENS INTO PANEL HOLE
 - B.) SLIDE RNG 132 RETAINING RING ON BACK OF LENS
 - C.) INSERT LED INTO LENS
 8. U.S. & FOREIGN PATENT ISSUED

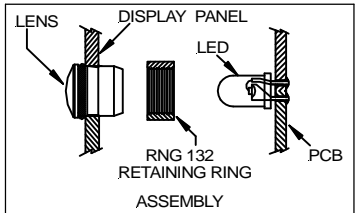
| REVISIONS | | | | | |
|-----------|------|-----------------|---------|----------|-------|
| ECN # | REV. | DESCRIPTION | DATE | INITIALS | CHK'D |
| 353 | 000 | INITIAL RELEASE | 2/20/12 | KH | AZ |



ORDERING CODE : **SMS 172 XXX**

MODEL

| LENS COLOR | |
|------------|--------------------|
| RTP | RED TRANSPARENT |
| ATP | AMBER TRANSPARENT |
| GTP | GREEN TRANSPARENT |
| BTP | BLUE TRANSPARENT |
| YTP | YELLOW TRANSPARENT |
| CTP | CLEAR TRANSPARENT |



| <small>DIMENSION STYLE: INCHES / MM GENERAL TOLERANCES UNLESS OTHERWISE SPECIFIED</small> <table border="1"> <tr> <th>INCHES</th> <th>MM</th> </tr> <tr> <td>X</td> <td>$\pm .020$ / $\pm .508$</td> </tr> <tr> <td>XX</td> <td>$\pm .010$ / $\pm .254$</td> </tr> <tr> <td>XXX</td> <td>$\pm .005$ / $\pm .127$</td> </tr> </table> <small>ANGLE $\pm 1^\circ$</small> <small>BREAK ALL CORNERS AND SHARP EDGES 60° MAX</small> <small>THIRD ANGLE PROJECTION</small> <small>PROPRIETARY AND CONFIDENTIAL</small> <small>THE INFORMATION CONTAINED IN THIS DRAWING IS THE SOLE PROPERTY OF VISUAL COMMUNICATIONS COMPANY, INC. ANY REPRODUCTION IN PART OR AS A WHOLE WITHOUT THE WRITTEN PERMISSION OF VISUAL COMMUNICATIONS COMPANY, INC IS PROHIBITED.</small> | INCHES | MM | X | $\pm .020$ / $\pm .508$ | XX | $\pm .010$ / $\pm .254$ | XXX | $\pm .005$ / $\pm .127$ | <small>APPROVAL</small> <small>DATE</small> <small>DRAWN</small> KHOWARD 2/20/12 <small>CHECKED</small> AZANELLI 3/5/12 <small>MATERIAL</small> SEE NOTES <small>FINISH</small> SEE NOTES DO NOT SCALE DRAWING | <small>12780 DANIELSON CT, SUITE A, POWAY, CA 92064 U.S.A</small> <small>PHONE: (800) 522-5546 EMAIL: vccsales@vcclite.com</small> TITLE: 3MM FRESNEL LENS W/ MOISTURE SEAL, ROUND LOW PROFILE <small>SIZE</small> DWG. NO. SMS 172 XXX <small>REV</small> 000 B <small>SCALE:</small> 10:1 <small>SHEET 1 OF 1</small> |
|---|-------------------------|----|---|-------------------------|----|-------------------------|-----|-------------------------|--|---|
| INCHES | MM | | | | | | | | | |
| X | $\pm .020$ / $\pm .508$ | | | | | | | | | |
| XX | $\pm .010$ / $\pm .254$ | | | | | | | | | |
| XXX | $\pm .005$ / $\pm .127$ | | | | | | | | | |

8 7 6 5 4 3 2 1

X-ON Electronics

Largest Supplier of Electrical and Electronic Components

Click to view similar products for [LED Lenses](#) category:

Click to view products by [Visual Communications Company](#) manufacturer:

Other Similar products are found below :

[139A-403R](#) [2857](#) [SSN-LX13049L-CD](#) [SSN-LX18754A](#) [SSN-LX18754C](#) [2817](#) [3122](#) [39-30-W03](#) [4623](#) [4752](#) [3121](#) [3124](#) [3125](#) [4327](#) [4371](#)
[4743](#) [4747](#) [4757](#) [3113](#) [4317](#) [4342](#) [4347](#) [4343](#) [4345](#) [4346](#) [CMC321YTP](#) [4742](#) [CMS444CTP](#) [13788360933552](#) [4745](#) [SML190RTP](#) [177-](#)
[0931-003](#) [177-0933-003](#) [8652](#) [8658](#) [8662](#) [8665](#) [TL50LA1T](#) [SGLC-250-D YW](#) [SGLC-250-D BE](#) [SGLC-250-D GN](#) [SGLC-250-D RD](#)
[SGLC-3MM-F YW](#) [SGLC-3MM-F RD](#) [SGLC-3MM-F BE](#) [SGLC-3MM-F](#) [SGLC-3MM-F GN](#) [4344](#) [080-0535-303](#) [080-0512-203](#)