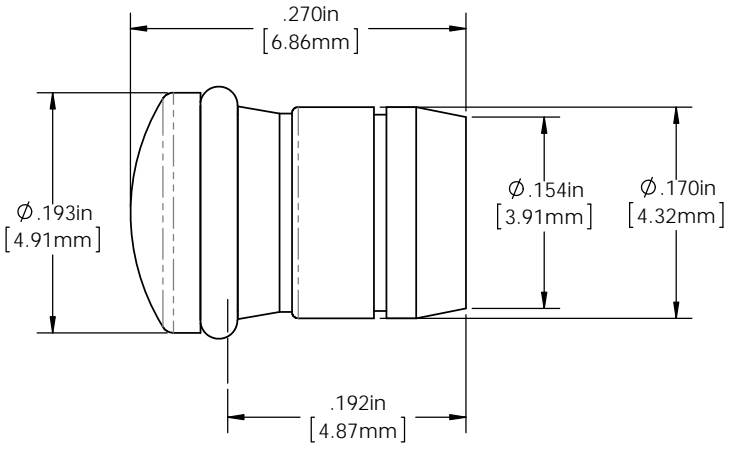
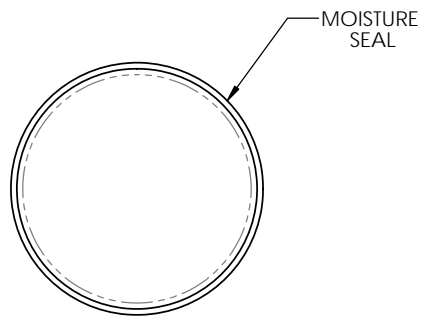
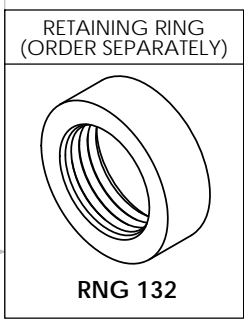


8 7 6 5 4 3 2 1

- NOTES:**
1. ROHS COMPLIANT
  2. MATERIAL: LENS - POLYCARBONATE, UL 94-V2
  3. MOISTURE SEAL - EPDM
  4. MOUNTING: MOUNTS IN A  $\phi .171" \pm .002$  [ $\phi 4.34\text{mm} \pm .05$ ] PANEL HOLE ON  $.250"$  [6.35mm] CENTER
  5. PANEL HOLE SHALL BE DEBURRED, BUT NOT CHAMFERED
  6. PANEL THICKNESS:  $.031"$  [.8 mm] to  $.094"$  [2.39mm]
  7. ASSEMBLY:
    - A.) INSERT LENS INTO PANEL HOLE
    - B.) SLIDE RNG 132 RETAINING RING ON BACK OF LENS
    - C.) INSERT LED INTO LENS
  8. U.S. & FOREIGN PATENT ISSUED

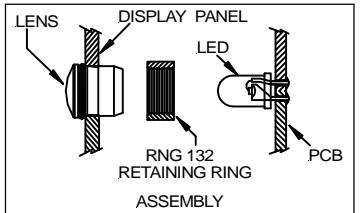
REVISIONS					
ECN #	REV.	DESCRIPTION	DATE	INITIALS	CHK'D
353	000	INITIAL RELEASE	2/20/12	KH	AZ



ORDERING CODE : **SMS 172 XXX**

MODEL

LENS COLOR	
RTP	RED TRANSPARENT
ATP	AMBER TRANSPARENT
GTP	GREEN TRANSPARENT
BTP	BLUE TRANSPARENT
YTP	YELLOW TRANSPARENT
CTP	CLEAR TRANSPARENT



<small>DIMENSION STYLE: INCHES / MM GENERAL TOLERANCES UNLESS OTHERWISE SPECIFIED</small> <table border="1"> <tr> <th>INCHES</th> <th>MM</th> </tr> <tr> <td>X</td> <td><math>\pm .020</math> <math>\pm .508</math></td> </tr> <tr> <td>XX</td> <td><math>\pm .010</math> <math>\pm .254</math></td> </tr> <tr> <td>XXX</td> <td><math>\pm .005</math> <math>\pm .127</math></td> </tr> </table> <small>ANGLE <math>\pm 1^\circ</math></small> <small>BREAK AND CHAMFER AND SHARP EDGES 90° MAX</small>  <small>THIRD ANGLE PROJECTION</small> <small>PROPRIETARY AND CONFIDENTIAL</small> <small>THE INFORMATION CONTAINED IN THIS DRAWING IS THE SOLE PROPERTY OF VISUAL COMMUNICATIONS COMPANY, INC. ANY REPRODUCTION IN PART OR AS A WHOLE WITHOUT THE WRITTEN PERMISSION OF VISUAL COMMUNICATIONS COMPANY, INC IS PROHIBITED.</small>	INCHES	MM	X	$\pm .020$ $\pm .508$	XX	$\pm .010$ $\pm .254$	XXX	$\pm .005$ $\pm .127$	<small>APPROVAL</small> <small>DATE</small> <small>DRAWN</small> KHOWARD 2/20/12 <small>CHECKED</small> AZANELLI 3/5/12 <small>MATERIAL</small> SEE NOTES <small>FINISH</small> SEE NOTES DO NOT SCALE DRAWING	<small>12780 DANIELSON CT, SUITE A, POWAY, CA 92064 U.S.A</small> <small>PHONE: (800) 522-5546 EMAIL: vccsales@vcclite.com</small> <b>TITLE:</b> <b>3MM FRESNEL LENS W/ MOISTURE SEAL, ROUND LOW PROFILE</b> <small>SIZE</small> DWG. NO. <b>SMS 172 XXX</b> <small>REV</small> <b>000</b> <small>SCALE:</small> 10:1 <small>SHEET 1 OF 1</small>
INCHES	MM									
X	$\pm .020$ $\pm .508$									
XX	$\pm .010$ $\pm .254$									
XXX	$\pm .005$ $\pm .127$									

8 7 6 5 4 3 2 1

## X-ON Electronics

Largest Supplier of Electrical and Electronic Components

*Click to view similar products for [LED Lenses](#) category:*

*Click to view products by [Visual Communications Company](#) manufacturer:*

Other Similar products are found below :

[139A-403R](#) [2857](#) [SSN-LX13049L-CD](#) [SSN-LX18754A](#) [SSN-LX18754C](#) [2817](#) [3122](#) [39-30-W03](#) [4623](#) [4752](#) [3121](#) [3124](#) [3125](#) [4327](#) [4371](#)  
[4743](#) [4747](#) [4757](#) [3113](#) [4317](#) [4342](#) [4347](#) [4343](#) [4345](#) [4346](#) [CMC321YTP](#) [4742](#) [CMS444CTP](#) [13788360933552](#) [4745](#) [SML190RTP](#) [177-](#)  
[0931-003](#) [177-0933-003](#) [8652](#) [8658](#) [8662](#) [8665](#) [TL50LA1T](#) [4344](#) [080-0535-303](#) [080-0512-203](#) [080-0531-303](#) [081-0113-203](#) [081-0431-300](#)  
[103-0532-403](#) [103-0534-403](#) [125-1137-403](#) [4755](#) [IML-0688G](#) [8650](#)