



SPC208 O-ring (gasket) for Panel Mount Indicator

O-ring (gasket) designed to seal against water, oil, air and dust.
For L63 Series

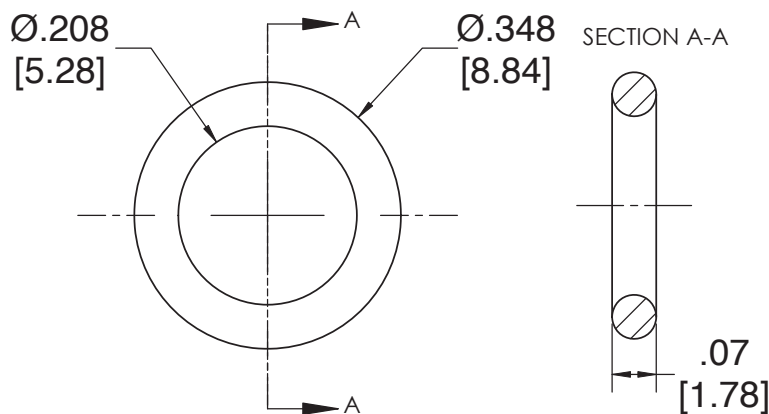
Applications

- Humid or dusty environments
- When there is presence of oil, grease, fluid, water or dirt

Key Features

- The panel gasket is intended to provide a seal between the panel and the Panel Mount Indicator.
- Molded in one piece from an elastomeric (rubber-like) material.
- Designed to seal many types of media, including water, air, dust, and oil.
- Meets ASTM D2000 standard.

Product Dimensions



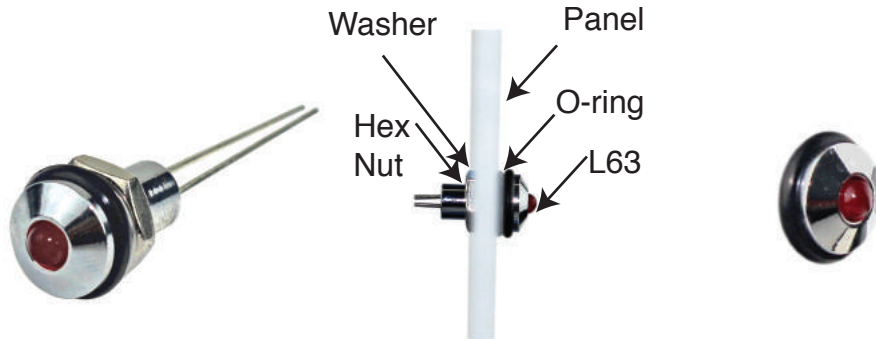
Dimensions in inches [mm]

Ordering Data

Part Number **SPC208**



SPC208



Examples: SPC208 in L63 Panel Mount Indicators

Product Specifications

| Material |
|------------------------------|
| Buna-N, Durometer A70, black |

| Installation Specification | |
|----------------------------|--|
| Internal Diameter | 0.208" (5.28 mm) |
| Thickness | 0.07" (1.78 mm) |
| Operational Temperature | -20°F to +250°F -28.9°C to +121.1°C |

Compliances and Approvals



X-ON Electronics

Largest Supplier of Electrical and Electronic Components

Click to view similar products for [LED Mounting Hardware](#) category:

Click to view products by [Visual Communications Company](#) manufacturer:

Other Similar products are found below :

[00624250](#) [00624750](#) [M2200](#) [7047](#) [990-4901-010](#) [990-8115-001](#) [CMP22](#) [M16-T1](#) [C-101](#) [L2K-L4GD](#) [L2K-L5XL](#) [LDN51-125SL/BT](#)
[00624500](#) [7046](#) [7056](#) [SN3486](#) [26-0053](#) [TC4-R-](#) [SLQ16](#) [LM6-2](#) [LM12-1](#) [LM10-1](#) [CM00624375](#) [CM00624900](#) [RNG132](#) [FIX-LEDH-10.5](#)
[FIX-LEDH-11](#) [FIX-LEDH-11.5](#) [FIX-LEDH-12](#) [FIX-LEDH-14](#) [FIX-LEDH-17](#) [FIX-LEDH-18](#) [FIX-LEDH-4](#) [FIX-LEDH-4.5](#) [FIX-LEDH-7.5](#)
[FIX-LEDH-9.5](#) [FIX-LEDS-1.5](#) [FIX-LEDS-2](#) [FIX-LEDS-3.5](#) [FIX-LEDT-11](#) [FIX-LEDT-20](#) [FIX-LEDT-26](#) [FIX-LEDT-5](#) [FIX-LEDT-9](#)
[SQLEDS2-4-26](#) [7382](#) [CNXDX4624](#) [CNXDX4608](#) [CNXDF4608](#) [4740](#)