

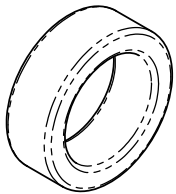
8 7 6 5 4 3 2 1

NOTES:

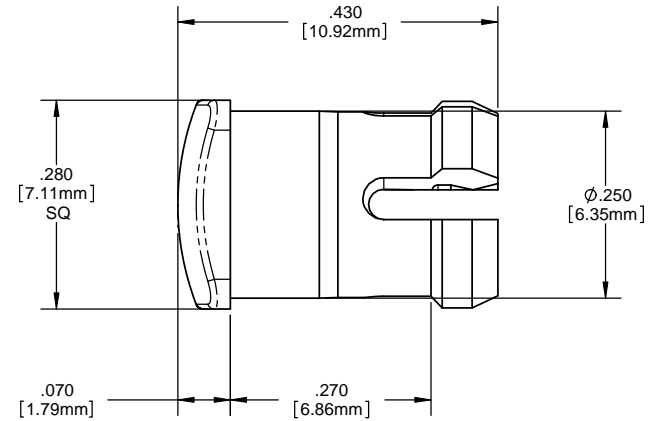
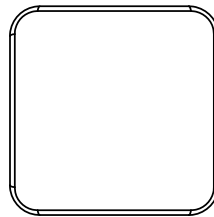
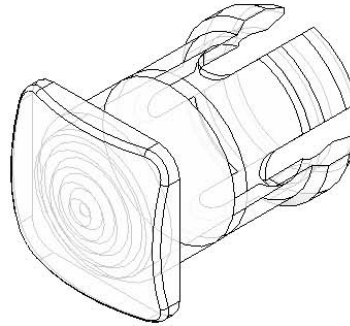
- MOUNTING:** Mounts in a $\phi .250 \pm .002$ [$\phi 6.35\text{mm} \pm .05$] panel hole on .375 [9.5mm] centers. Panel thickness .031 [.8 mm] to .250 [6.35mm]. Panel hole should be deburred, but not chamfered.
- ASSEMBLY:** Insert lens through panel hole, (for thin panels less than .188 [4.75mm] thick, slide SPC 125 spacer on back of lens), and insert LED into lens.
- MATERIAL:** Polycarbonate, UL 94-V2
- U.S. & Foreign Pat. Issued & Pend.**

REVISIONS				
ECN#	REV.	DESCRIPTION	DATE	INITIALS
	001	REVISED PER ECR111009AZ01	4-23-10	SMU

**RETAINERS
(ORDER SEPARATELY)**



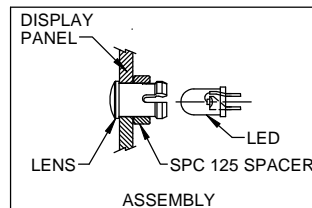
SPC 125



ORDERING CODE : **SOB 400 XXX**

MODEL

LENS COLOR	
RTP	RED TRANSPARENT
ATP	AMBER TRANSPARENT
GTP	GREEN TRANSPARENT
BTP	BLUE TRANSPARENT
YTP	YELLOW TRANSPARENT
CTP	CLEAR TRANSPARENT



<small>UNLESS OTHERWISE SPECIFIED DIMENSIONS ARE IN INCHES</small> ANGLES DECIMALS ±1° .X ±.020 .XXX ±.010 FINISH .XXX ±.005 BREAK ALL CORNERS AND SHARP EDGES 90° MIN	MATERIAL POLYCARBONATE, UL 94-V2	VISUAL COMMUNICATIONS COMPANY, INC. 190 Bosstick Boulevard, Suite 101 San Marcos, CA 92069 USA Phone (760) 560-1300 Fax (760) 560-1301 email vccsales@vccite.com
	FINISH SEE NOTES	TITLE: 5MM SQUARE LOW PROFILE FRESNEL LENS
THIRD ANGLE PROJECTION <small>THE INFORMATION CONTAINED IN THIS DRAWING IS THE SOLE PROPERTY OF VISUAL COMMUNICATIONS COMPANY, INC. AND REPRODUCTION IN PART OR AS A WHOLE WITHOUT THE WRITTEN CONSENT OF VISUAL COMMUNICATIONS COMPANY, INC. IS PROHIBITED.</small>	APPROVAL DRAWN: SMU 4-23-10 CHECKED: DZ 4-23-10 DO NOT SCALE DRAWING	DATE DATE DATE
SIZE DWG. NO. B SOB 400 XXX		REV 001
SCALE: 1:1		SHEET 1 OF 1

8 7 6 5 4 3 2 1

X-ON Electronics

Largest Supplier of Electrical and Electronic Components

Click to view similar products for [LED Lenses](#) category:

Click to view products by [Visual Communications Company](#) manufacturer:

Other Similar products are found below :

[139A-403R](#) [2857](#) [SSN-LX13049L-CD](#) [SSN-LX18754A](#) [SSN-LX18754C](#) [2817](#) [3122](#) [39-30-W03](#) [4623](#) [4752](#) [3121](#) [3124](#) [3125](#) [4327](#) [4371](#)
[4743](#) [4747](#) [4757](#) [3113](#) [4317](#) [4342](#) [4347](#) [4343](#) [4345](#) [4346](#) [CMC321YTP](#) [4742](#) [CMS444CTP](#) [13788360933552](#) [4745](#) [SML190RTP](#) [177-](#)
[0931-003](#) [177-0933-003](#) [8652](#) [8658](#) [8662](#) [8665](#) [TL50LA1T](#) [SGLC-250-D YW](#) [SGLC-250-D BE](#) [SGLC-250-D GN](#) [SGLC-250-D RD](#)
[SGLC-3MM-F YW](#) [SGLC-3MM-F RD](#) [SGLC-3MM-F BE](#) [SGLC-3MM-F](#) [SGLC-3MM-F GN](#) [4344](#) [080-0535-303](#) [080-0512-203](#)