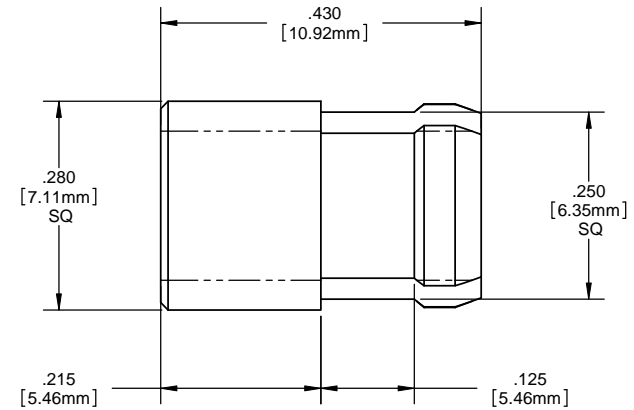
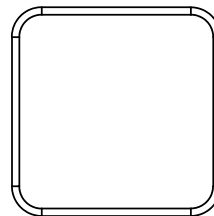
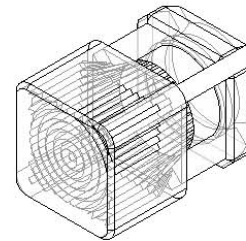


8 7 6 5 4 3 2 1

**NOTES:**

1. **MOUNTING:** Mounts in a  $\phi .250 \pm .002$  [ $\phi 6.35\text{mm} \pm .05$ ] square punched hole on  $.375$  [9.5mm] centers. Panel thickness  $.063$  [1.6mm] to  $.125$  [3.17mm]. Panel hole should be deburred, but not chamfered.
2. **ASSEMBLY:** Insert lens through panel hole, and insert LED into lens.
3. **MATERIAL:** Polycarbonate, UL 94-V2
4. **U.S. & Foreign Pat. Issued & Pend.**

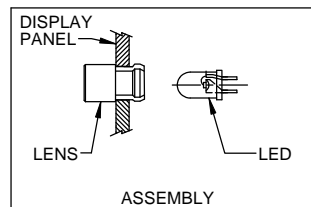
REVISIONS				
ECN#	REV.	DESCRIPTION	DATE	INITIALS
	001	REVISED PER ECR111009AZ01	4-23-10	SMU

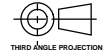


ORDERING CODE : **SQL 360 XXX**

MODEL

LENS COLOR	
RTP	RED TRANSPARENT
ATP	AMBER TRANSPARENT
GTP	GREEN TRANSPARENT
BTP	BLUE TRANSPARENT
YTP	YELLOW TRANSPARENT
CTP	CLEAR TRANSPARENT



<small>UNLESS OTHERWISE SPECIFIED DIMENSIONS ARE IN INCHES</small> ANGLES DECIMALS ±1 .X ±.020 .XX ±.010 .XXX ±.005 FINISH BREAK ALL CORNERS AND SHARP EDGES (R1/16")  THIRD ANGLE PROJECTION <small>THE INFORMATION CONTAINED IN THIS DRAWING IS THE SOLE PROPERTY OF VISUAL COMMUNICATIONS COMPANY, INC. AND IS LOANED TO YOU AS A SINGLE COPY. IT IS NOT TO BE REPRODUCED OR TRANSMITTED IN ANY FORM OR BY ANY MEANS, ELECTRONIC OR MECHANICAL, INCLUDING PHOTOCOPYING, RECORDING, OR BY ANY INFORMATION STORAGE AND RETRIEVAL SYSTEM, WITHOUT THE WRITTEN CONSENT OF VISUAL COMMUNICATIONS COMPANY, INC.</small>	<b>MATERIAL</b> POLYCARBONATE, UL 94-V2	<b>VISUAL COMMUNICATIONS COMPANY, INC.</b> 190 Bosstick Boulevard, Suite 101 San Marcos, CA 92069 USA Phone (760) 560-1300 Fax (760) 560-1301 email vccsales@vccite.com
	<b>FINISH</b> SEE NOTES	<b>TITLE: 5MM SQUARE STANDARD HEIGHT FRESNEL LENS</b>
<b>APPROVAL</b> DRAWN: SMU CHECKED: DZ	<b>DATE</b> 4-23-10 4-23-10	<b>SIZE</b> <b>B</b>
DO NOT SCALE DRAWING		<b>DWG. NO.</b> <b>SQL 360 XXX</b>
		<b>REV</b> <b>001</b>
		<b>SCALE: 1:1</b>
		<b>SHEET 1 OF 1</b>

8 7 6 5 4 3 2 1

## X-ON Electronics

Largest Supplier of Electrical and Electronic Components

*Click to view similar products for [LED Lenses](#) category:*

*Click to view products by [Visual Communications Company](#) manufacturer:*

Other Similar products are found below :

[139A-403R](#) [2857](#) [SSN-LX13049L-CD](#) [SSN-LX18754A](#) [SSN-LX18754C](#) [2817](#) [3122](#) [39-30-W03](#) [4623](#) [4752](#) [3121](#) [3124](#) [3125](#) [4327](#) [4371](#)  
[4743](#) [4747](#) [4757](#) [3113](#) [4317](#) [4342](#) [4347](#) [4343](#) [4345](#) [4346](#) [CMC321YTP](#) [4742](#) [CMS444CTP](#) [13788360933552](#) [4745](#) [SML190RTP](#) [177-](#)  
[0931-003](#) [177-0933-003](#) [8652](#) [8658](#) [8662](#) [8665](#) [TL50LA1T](#) [SGLC-250-D YW](#) [SGLC-250-D BE](#) [SGLC-250-D GN](#) [SGLC-250-D RD](#)  
[SGLC-3MM-F YW](#) [SGLC-3MM-F RD](#) [SGLC-3MM-F BE](#) [SGLC-3MM-F](#) [SGLC-3MM-F GN](#) [4344](#) [080-0535-303](#) [080-0512-203](#)