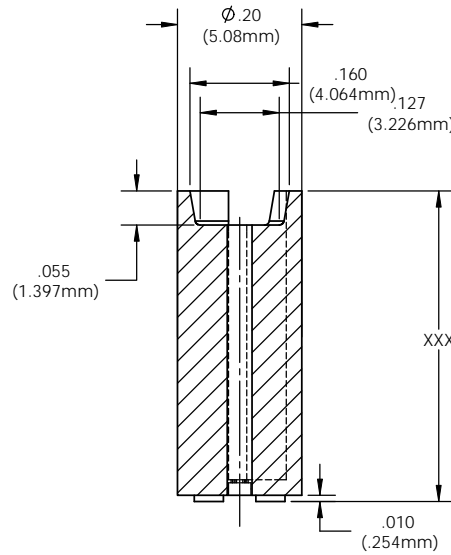
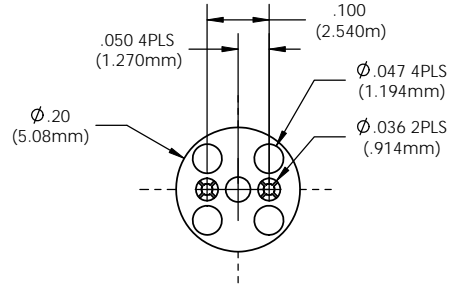


NOTES:  
 1) Standoff length selection per Order Table below  
 2) U.S. & Foreign Pat. Issued & Pend.

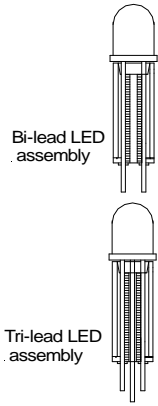
REVISIONS				
ECN #	REV	DESCRIPTION	DATE	INITIALS
	N/A	INITIAL RELEASE	9/01/92	JS
	001	REVISED PER ECR111009AZ01	2/25/10	KH



The plastic body maintains the LED in a vertical position eliminating LED tilting

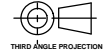
The barrier separate the leads to prevent shorting

Retention tabs hold LED leads in position prior to final PC board assembly



ORDERING CODES: STD XXX BLK

XXX = LENGTH (.100 to 1.0)									
100	200	300	400	500	600	700	800	900	1000
110	210	310	410	510	610	710	810	910	
120	220	320	420	520	620	720	820	920	
130	230	330	430	530	630	730	830	930	
140	240	340	440	540	640	740	840	940	
150	250	350	450	550	650	750	850	950	
160	260	360	460	560	660	760	860	960	
170	270	370	470	570	670	770	870	970	
180	280	380	480	580	680	780	880	980	
190	290	390	490	590	690	790	890	990	

<small>UNLESS OTHERWISE SPECIFIED DIMENSIONS ARE IN INCHES</small> <small>ANGLES DECIMALS ±1°</small> <small>FINISH .X ±.020 .XX ±.010 .XXX ±.005</small> <small>BREAK ALL CORNERS AND SHARP EDGES (R1/16)</small>  <small>THIRD ANGLE PROJECTION</small> <small>PROPRIETARY AND CONFIDENTIAL</small> <small>THE INFORMATION CONTAINED IN THIS DRAWING IS THE SOLE PROPERTY OF VISUAL COMMUNICATIONS COMPANY, INC. AND IS REPRODUCED IN PART OR AS A WHOLE WITHOUT THE WRITTEN CONSENT OF VISUAL COMMUNICATIONS COMPANY, INC.</small>	<small>MATERIAL</small> VALOX 310 SEO (BLACK) U.L. 94 V0		<small>VISUAL COMMUNICATIONS COMPANY, INC.</small> 190 Bossick Boulevard, Suite 101 San Marcos, CA 92069 USA Phone (760) 560-1300 Fax (760) 560-1301 email vccsales@vccite.com		
	<small>FINISH</small> SEE NOTES		<small>TITLE:</small> STDxxxBLK		
	<small>APPROVAL</small> DRAWN K.Howard CHECKED DPZ		<small>DATE</small> 2/25/10 3/1/10		<small>SIZE</small> <b>B</b>
	<small>DO NOT SCALE DRAWING</small>		<small>SCALE: 5:1</small>		<small>REV</small> 001 <small>SHEET 1 OF 1</small>

## X-ON Electronics

Largest Supplier of Electrical and Electronic Components

*Click to view similar products for [LED Mounting Hardware](#) category:*

*Click to view products by [Visual Communications Company](#) manufacturer:*

Other Similar products are found below :

[00624250](#) [00624750](#) [M2200](#) [7047](#) [990-4901-010](#) [990-8115-001](#) [CMP22](#) [M16-T1](#) [C-101](#) [L2K-L4GD](#) [L2K-L5XL](#) [LDN51-125SL/BT](#)  
[00624500](#) [7046](#) [7056](#) [SN3486](#) [26-0053](#) [TC4-R-](#) [SLQ16](#) [LM6-2](#) [LM12-1](#) [LM10-1](#) [CM00624375](#) [CM00624900](#) [RNG132](#) [FIX-LEDH-10.5](#)  
[FIX-LEDH-11](#) [FIX-LEDH-11.5](#) [FIX-LEDH-12](#) [FIX-LEDH-14](#) [FIX-LEDH-17](#) [FIX-LEDH-18](#) [FIX-LEDH-4](#) [FIX-LEDH-4.5](#) [FIX-LEDH-7.5](#)  
[FIX-LEDH-9.5](#) [FIX-LEDS-1.5](#) [FIX-LEDS-2](#) [FIX-LEDS-3.5](#) [FIX-LEDT-11](#) [FIX-LEDT-20](#) [FIX-LEDT-26](#) [FIX-LEDT-5](#) [FIX-LEDT-9](#)  
[SQLEDS2-4-26](#) [7382](#) [CNXDX4624](#) [CNXDX4608](#) [CNXDF4608](#) [4740](#)