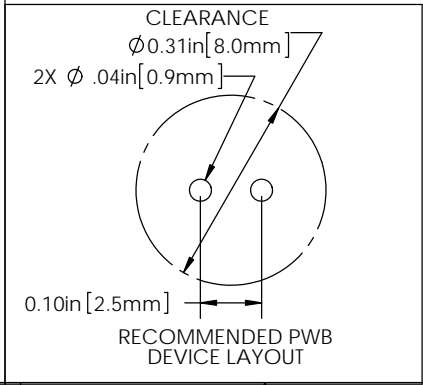
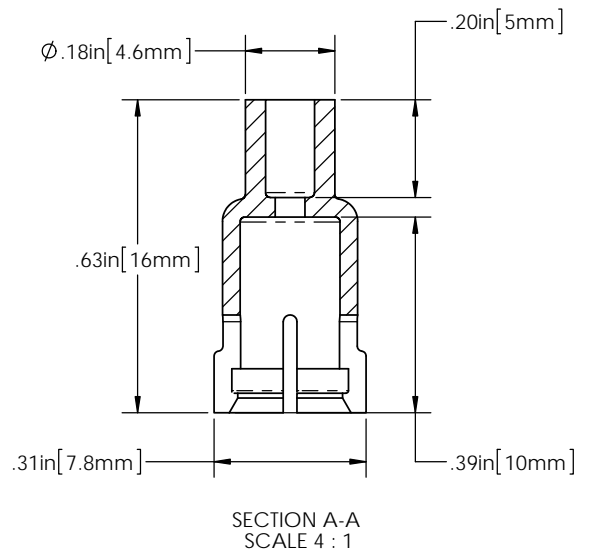
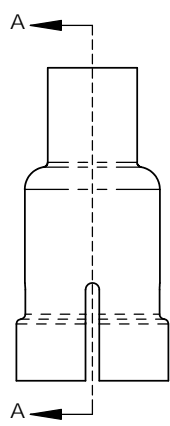
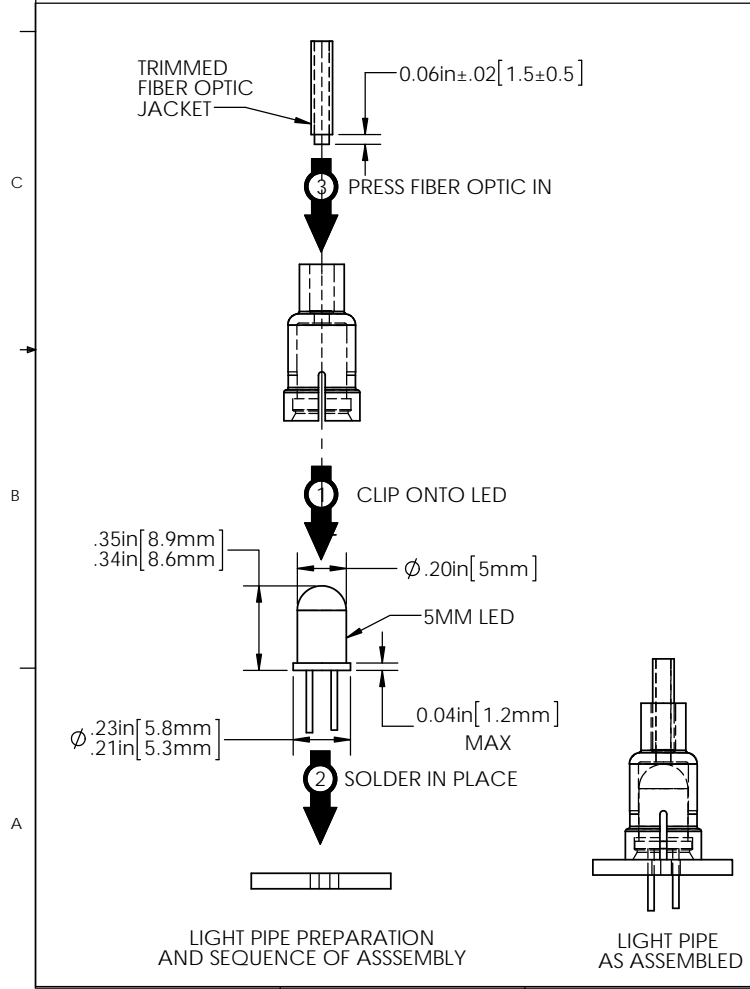
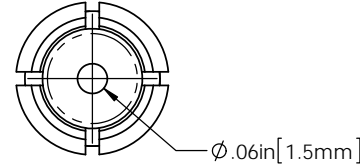


8 7 6 5 4 3 2 1

- NOTES**
1. ROHS COMPLIANT.
  2. UL 94-HB FLAMMABILITY RATING.
  3. -40°C TO 85°C OPERATING TEMPERATURE.
  4. SUITABLE FOR LIGHT PIPE WITH  $\phi$  2.2MM JACKET AND OPTICAL CORE NO GREATER THAN  $\phi$  1.5MM.
  5. DO NOT WAVE SOLDER WITH THIS DEVICE.
  6. FOR BEST RESULTS USE ONLY NARROW VIEWING ANGLE NON-DIFFUSED LEDS WITH OUTPUT POWER GREATER THAN 100mcd.

REVISIONS					
ECN #	REV.	DESCRIPTION	DATE	INITIALS	CHK'D
388	000	INITIAL RELEASE	1/4/12	KH	AZ
404	001	REVISED PER ECR 020612KH01	2/6/12	KH	AZ



DIMENSION STYLE: INCHES (MM) GENERAL TOLERANCES UNLESS OTHERWISE SPECIFIED		APPROVAL	DATE
INCHES	MM	DRAWN	KHOWARD
X	± .010	± .250	1/4/12
XX	± .005	± .127	
XXX	± .001	± .025	
ANGLE $\pm$ 1/2°		CHECKED	AZANELLI
SURFACE FINISH: <input checked="" type="checkbox"/> BREAK ALL EDGES AND SHARP CORNERS		1/10/12	
THIRD ANGLE PROJECTION		MATERIAL	
THE INFORMATION CONTAINED IN THIS DRAWING IS THE SOLE PROPERTY OF VISUAL COMMUNICATIONS COMPANY, INC. ANY REPRODUCTION IN PART OR AS A WHOLE WITHOUT THE WRITTEN PERMISSION OF VISUAL COMMUNICATIONS COMPANY, INC IS PROHIBITED.		NYLON 6/6, BLACK UL 94-HB	
FINISH		SEE NOTES	
DO NOT SCALE DRAWING		TITLE:	

**VCC OPTOELECTRONICS**  
190 BOSSTICK BLVD. SUITE 101 SAN MARCOS, CA 92069 U.S.A.  
PHONE: (760) 560-1300, FAX: (760) 560-1301 EMAIL: vccsales@vcc3ite.com

**TITLE:**  
MOUNT, 5mm THROUGH-HOLE LED

SIZE	DWG. NO.	REV
<b>B</b>	THR 5 22	<b>001</b>

SCALE: 5:1 SHEET 1 OF 1

8 7 6 5 4 3 2 1

## X-ON Electronics

Largest Supplier of Electrical and Electronic Components

*Click to view similar products for [LED Mounting Hardware](#) category:*

*Click to view products by [Visual Communications Company](#) manufacturer:*

Other Similar products are found below :

[00624250](#) [00624750](#) [M2200](#) [7047](#) [990-4901-010](#) [990-8115-001](#) [CMP22](#) [M16-T1](#) [C-101](#) [L2K-L4GD](#) [L2K-L5XL](#) [LDN51-125SL/BT](#)  
[00624500](#) [7046](#) [7056](#) [SN3486](#) [26-0053](#) [CM00624375](#) [CM00624900](#) [RNG132](#) [FIX-LEDH-10.5](#) [FIX-LEDH-11](#) [FIX-LEDH-11.5](#) [FIX-](#)  
[LEDH-12](#) [FIX-LEDH-14](#) [FIX-LEDH-17](#) [FIX-LEDH-18](#) [FIX-LEDH-4](#) [FIX-LEDH-4.5](#) [FIX-LEDH-7.5](#) [FIX-LEDH-9.5](#) [FIX-LEDS-1.5](#) [FIX-](#)  
[LEDS-2](#) [FIX-LEDS-3.5](#) [FIX-LEDT-11](#) [FIX-LEDT-20](#) [FIX-LEDT-26](#) [FIX-LEDT-5](#) [FIX-LEDT-9](#) [SQLEDS2-4-26](#) [7382](#) [CNXDX4624](#)  
[CNXDX4608](#) [CNXDF4608](#) [4740](#) [CNXCE4124](#) [CNXCE4112](#) [CNX460-X02-4-1-08](#) [CNX440-X02-4-1-24](#) [CNX440-X02-4-1-18](#)