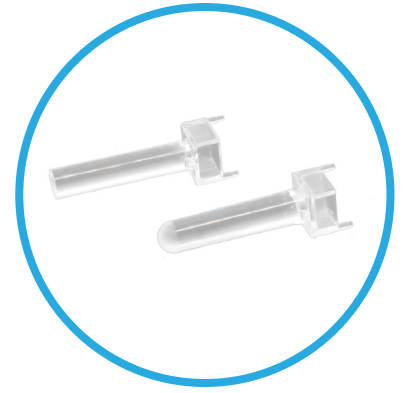
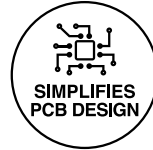
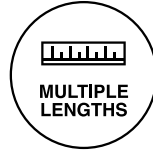
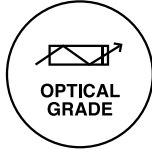


VBL Series

Ø 0.118" (3mm) PCB Mounted Light Pipe for Surface Mount LED



VBL Series features vertical press-fit board mount LED light pipes available in a range of different lengths with either a flat or a domed top.



Applications

- Audio/Video
- Industrial Robots
- Darkroom Equipment
- Agriculture
- Entertainment
- Medical
- IoT
- Data Center Solutions
- Transportation Power Systems

Key Features

- Rigid board mount light pipe for surface mount LEDs
- 3mm round lens with either a domed or flat face
- The VBL light pipes are mounted onto the PCB using push-fit lugs in close proximity to the LED
- Features a press-fit installation into the PCB board which simplifies installation and enables faster assembly
- Protects LED from ESD
- Optical grade polycarbonate for maximum light transmission
- View viewing angle: Flat 80 degree, Dome 20 degree
- Frosted surface diffuses light and provides uniform brightness and a soft glow
- Operating temp: -40°F~239°F (-40°C~115°C)
- Standard lengths from 0.20" to 1.000"
- For custom length contact VCC
- RoHS and REACH Compliant

Ordering Data

Series	Diameter	Shape	Overall Length	Color
VBL	3	D	0200	C
	3 3mm	D Dome F Flat	0200 .2" (5.1mm) 0250 .25" (6.4mm) 0300 .3" (7.6mm) 0350 .35" (8.9mm) 0400 .4" (10.2mm) 0450 .45" (11.4mm) 0500 .5" (12.7mm) 0550 .55" (13.9mm) 0600 .6" (15.2mm) 0700 .7" (17.8mm) 0800 .8" (20.3mm) 0900 .9" (22.8mm) 1000 1.0" (25.4mm)	C Clear

*Custom lengths available upon request



Example:

VBL3D0900C

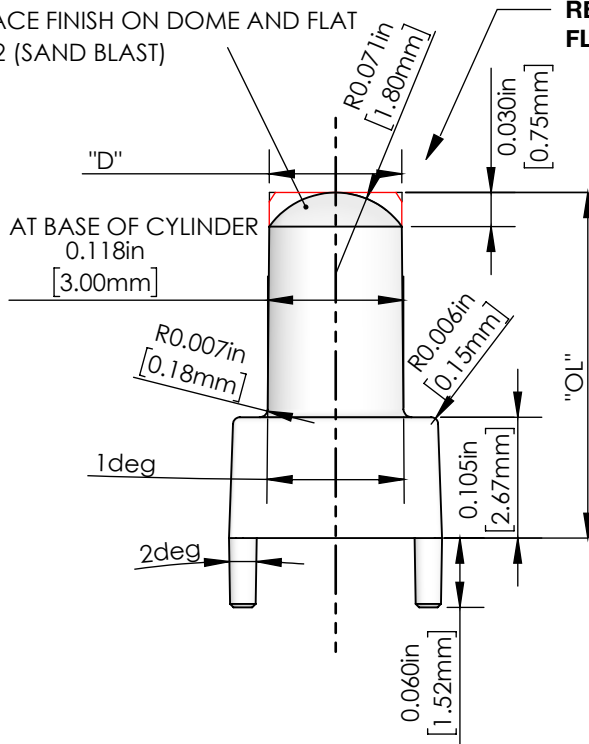
VBL Series, PCB mount, .9" (22.8mm) Overall Length, Dome Shape, Clear

Product Dimensions

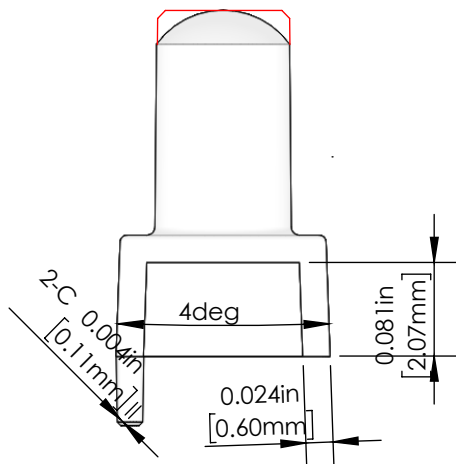
VBL Series

SURFACE FINISH ON DOME AND FLAT
SPI-D2 (SAND BLAST)

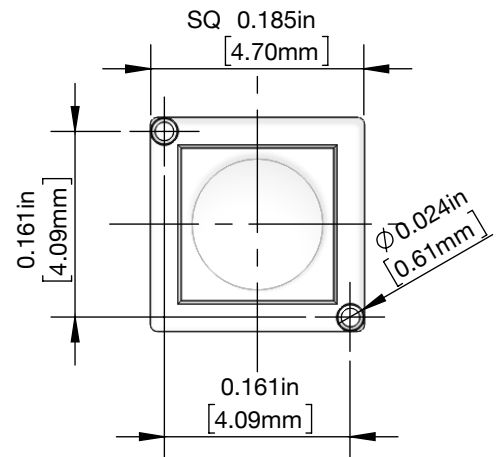
RED LINES ARE REPRESENTED
FLAT SERIES



Overall Length (OL)
.2" (5.1mm)
.25" (6.4mm)
.3" (7.6mm)
.35" (8.9mm)
.4" (10.2mm)
.45" (11.4mm)
.5" (12.7mm)
.55" (13.9mm)
.6" (15.2mm)
.7" (17.8mm)
.8" (20.3mm)
.9" (22.8mm)
1.0" (25.4mm)



Mounting Hole Pattern



Notes:

1. All dimensions are in inches [millimeters]
2. Tolerance is $\pm 0.005\text{in}$ [0.1mm] unless otherwise noted.
3. The specifications, characteristics and technical data described in the datasheet are subject to change without prior notice.

Product Specifications

Materials	
Body	Polycarbonate, Clear UL 94-V0

Temperature Specifications	
Operating Temperature	-40°F~239°F (-40°C~115°C)

Installation Specifications	
Diameter	Ø 0.118" (3mm)
Standard Lengths	.2" to 1.0" (5.1mm to 25.4mm)

Compliances and Approvals



X-ON Electronics

Largest Supplier of Electrical and Electronic Components

Click to view similar products for [LED Light Pipes](#) category:

Click to view products by [Visual Communications Company](#) manufacturer:

Other Similar products are found below :

[1367627-1](#) [SLP3-300-450-F](#) [SLP3-400-450-R](#) [LPA-C011301S-6](#) [LPF-C011306S](#) [FLP25-1.95](#) [VLP-640-F](#) [LPA-C011301S-5.4](#) [LPA-C041301S-2](#) [LPA-R051171S-12](#) [LPA-S011331S](#) [515-1027-803F](#) [515-1217F](#) [SLP3-150-300-R](#) [SLP3-500-450-R](#) [515-1064-810F](#) [FLPV-SG](#) [BDL-1187](#) [7511A41](#) [7511A87-500](#) [FLPV-SBC](#) [5151064802F](#) [5151-192-0055-0DF](#) [LPF-R011340S](#) [515-1166-801F](#) [FLPF-6.0](#) [PM4-C1522-3.70](#) [LC-11.25](#) [CLP-1214](#) [515-1064-808F](#) [FLX3_05](#) [515-1192-0025-0DF](#) [HS LC-H-D2/R2XC1-2 54](#) [515-1192-80-3DF](#) [1282.2600](#) [1296.2004](#) [PBLP-1001-1](#) [SZ1-10.00-A220-F4P54](#) [SZ1-10.00-A220-F4P](#) [LC2-4.1](#) [1296.7042](#) [SF4-2.5-F5P](#) [PLP5-2-625-54](#) [FLP25-13.5](#) [1271.2002](#) [1272.0030](#) [1276.2004](#) [1281.1001-8MM](#) [1282.1300](#) [1296.1034](#)