

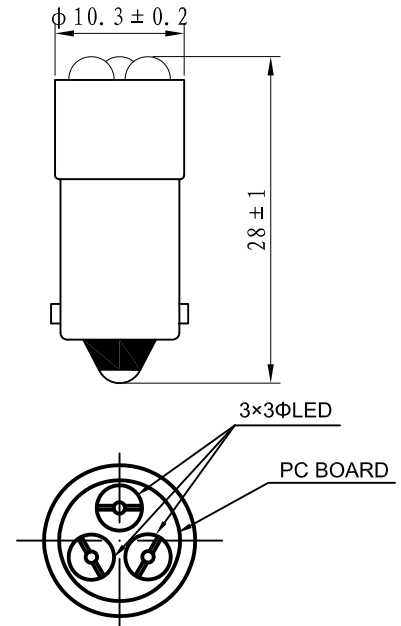


VC18620, VC186261, VC186262 Series

T-3 1/4 Bayonet Based Multi LED

Description and Features

- Replaces incandescent lamp #'s
 - 24V — 24MB, 1437, 1818
 - 28V — 313, 757, 1819, 1820, 1829, 1843, 1864, 1873
 - 125 and 230V — 949
- 3 high bright LEDs in one package
- Extremely high brightness with low current draw
- Long life — typically 100K hours vs. 10K hours
- Low heat generation
- Available in five standard colors. Custom colors available upon request
- Shock and vibration proof
- Storage temperature: -40°C - +85°C
- Ambient temperature: -40°C - +85°C
- Due to production tolerances, color temperature variations may be detected within individual consignments



Electro-Optical Characteristics and Ratings

Part Number	Color	Voltage V AC/DC	Current mA	Lumi. Intensity mcd	Peak Wavelength nm	50% Power Angle (deg)
VC18620350	Red	24	15	1050	630	20
VC18620351	Green	24	15	3000	525	25
VC18620352	Yellow	24	15	900	587	20
VC18620357	Blue	24	15	1200	470	25
VC1862035W3	White Clear	24	15	2250	*	30
VC1862035W3D	White Diffused	24	15	1125	*	30
VC18620450	Red	28	15	1050	630	20
VC18620451	Green	28	15	3000	525	25
VC18620452	Yellow	28	15	900	587	20
VC18620457	Blue	28	15	1200	470	25
VC1862045W3	White Clear	28	15	2250	*	30
VC1862045W3D	White Diffused	28	15	1125	*	30
VC18626130	Red	130	5	360	630	20
VC18626131	Green	130	5	990	525	25
VC18626132	Yellow	130	5	300	587	20
VC18626137	Blue	130	5	390	470	25
VC1862613W3	White Clear	130	5	750	*	30
VC1862613W3D	White Diffused	130	5	375	*	30
VC18626230	Red	230	3	210	630	20
VC18626231	Green	230	3	600	525	25
VC18626232	Yellow	230	3	180	587	20
VC18626237	Blue	230	3	240	470	25
VC1862623W3	White Clear	230	3	450	*	30
VC1862623W3D	White Diffused	230	3	225	*	30

X-ON Electronics

Largest Supplier of Electrical and Electronic Components

Click to view similar products for [LED Replacement Lamps - Based LEDs](#) *category:*

Click to view products by [Visual Communications Company](#) *manufacturer:*

Other Similar products are found below :

[LAPD-1A](#) [LAPD-1R](#) [LAPD-2R](#) [LAPD-6W](#) [LSTD-M4S](#) [SSP-1156B153S12](#) [SSP-1157B156U12](#) [SSP-LXS110818BA](#) [560-0101F](#) [560-0103F](#)
[LAPD-1W](#) [LAPD-6R](#) [560-0104F](#) [585-1113](#) [SSP-LXC1283S24](#) [SSP-3MB96U12G](#) [SLL-05EY](#) [560-0203F](#) [586-2206-205F](#) [SSP-](#)
[LXS1826U16A](#) [LATD-2JW](#) [24LS4-G1](#) [24LS4-R1](#) [MF200-NFW5H](#) [MB403-W60-CW-BP](#) [387LP-A](#) [1819LS2-G-CG](#) [387LP-R](#) [387LP-B](#)
[387LP-W](#) [387LP-G](#) [6S6LS155-CWR](#) [130MBLS-G-CG](#) [5000404LAMP](#) [E10SB12A](#) [E10SB130A](#) [E10SB24A](#) [E10SG12A](#) [E10SG130A](#)
[E10SG24A](#) [E10SR12A](#) [E10SR130A](#) [E10SR24A](#) [E10SW12A](#) [E10SY12A](#) [E10SY130A](#) [585-1425F](#) [521-9208F](#) [586-0012-806F](#) [586-6403-](#)
[205F](#)