

**Power Wirewound resistors
flame retardant, safety version**

Specification

Type		CRF253-4	CRF254-4	CRF256-4	CRF257-4
Power rating	P_{40} P_{70}	W 2,5 2,0	3,0 2,5	4,0 3,5	5,0 4,3
Resistance range		see Page 2			
E-series		E 24			
Tolerance	%	± 5			
Temperature coefficient	$10^{-6} * K^{-1}$	120 ± 50			
max. cont. working voltage	V_{RMS}	$\sqrt{P_{70} \cdot R}$			
Insulation voltage (1min.)	V_{RMS}	max. 75V			
Insulation resistance	Ω	not insulated			
Derating linear	$^{\circ}C$	70 ... 350 (0W)			
Climatic category		55/200/56			
Temperature range	$^{\circ}C$	- 55 ... 350			
Thermal resistance	KW^{-1}	140	112	80	65
Failure rate (Total, ϑ_0 max., 60% conf. lev.)	$10^{-9} * h^{-1}$	appr. 10, depends on value			
Endurance (P_{70} , 70 $^{\circ}C$, 1000h)	$\left[\frac{\Delta R}{R} \right] \%$	± 5,0 average			
Damp heat, steady state (40 $^{\circ}C$, 93% r. h., 56d)	$\left[\frac{\Delta R}{R} \right] \%$	± 5,0			
Climatic sequence (IEC 115-1/23)	$\left[\frac{\Delta R}{R} \right] \%$	± 2,0			
Resistance to soldering heat (260 $^{\circ}C$, 10s, 3mm)	$\left[\frac{\Delta R}{R} \right] \%$	± 0,5			
Solderability	s	2,5 Flowtime, solderglobule test, IEC 60068-2-20			
Terminal strength	$\left[\frac{\Delta R}{R} \right] \%$	± 0,2			
Terminal tensile strength	N	50			
Marking		printed in clear			

**Power Wirewound resistors
 flame retardant, safety version**

Type	Resistance range	
	min.	max.
CRF253-4	* 1R0	330R
CRF254-4	* 1R0	330R
CRF256-4	* 1R0	330R
CRF257-4	* 1R0	330R

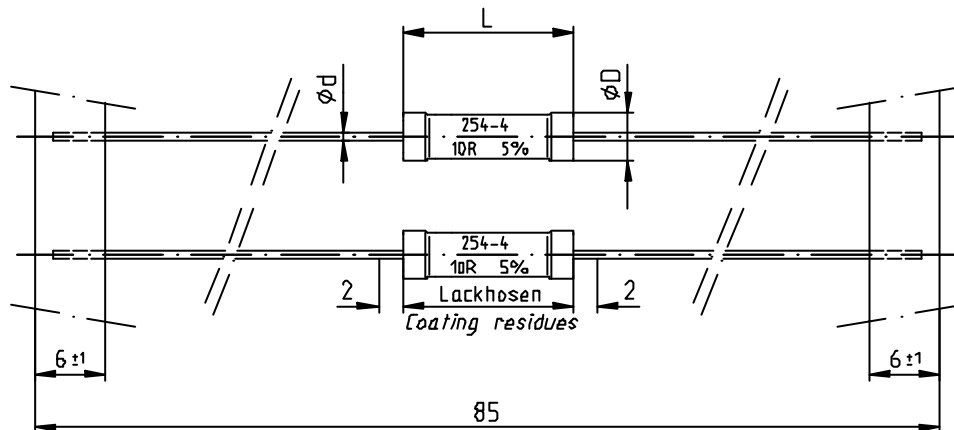
Note:

The special construction of resistance values $\geq 10R$ results in an immediate interruption when mains voltage (220V/240V_{RMS}) is applied. No flames, no explosion. After fusing the resistance value is $> 100K\Omega$. For other voltages test suitability in the application!

* Resistance values $< 10R$ are flame retardant.

The interruption mechanism is not clearly defined and has to be tested in the final application!

Dimensions in mm:



Type	L max.	øD max.	ød
CRF253-4	14,5	4,0	0,65
CRF254-4	12,6	6,0	0,80
CRF256-4	17,0	6,0	0,80
CRF257-4	19,0	8,5	0,80

Series CRF

Power Wirewound resistors flame retardant, safety version

Packaging:

Type	Packaging	Pieces	Pack.-Code
CRF253-4	taped/Ammopack	1000	T
CRF254-4	taped/Ammopack	1000	T
CRF256-4	taped/Ammopack	1000	T
CRF257-4	taped/Ammopack	500	T

Ordering example: CRF 254-4 5 T 15R
 Type Tolerance Pack.-Code R-Value

X-ON Electronics

Largest Supplier of Electrical and Electronic Components

Click to view similar products for [Thin Film Resistors - Through Hole](#) category:

Click to view products by [Vishay](#) manufacturer:

Other Similar products are found below :

[RESISTOR-0125-A](#) [MBA02040C3249FC100](#) [MRS16000C2200FCT00](#) [MRS16000C1501FCT00](#) [MRS16000C6803FCT00](#)

[MRS16000C2703FCT00](#) [MRS16000C4703FCT00](#) [MBA02040C1209FCT00](#) [MBA02040C2701FCT00](#) [MBA02040C3301FCT00](#)

[MBA02040C3901FCT00](#) [MBA02040C5600FCT00](#) [MBA02040C6809FC100](#) [MBB02070D9312BCT00](#) [MBA02040C1008FCT00](#)

[MBA02040C1200FCT00](#) [MBA02040C2202FCT00](#) [MBA02040C4754FRP00](#) [MBA02040C6041FRP00](#) [MBB02070C1821FRP00](#)

[MBB0207IC1001FCT00](#) [MFP1-10RJI](#) [MFP2-100KJI](#) [MFR4-1K0FI](#) [MFR4-220RFI](#) [MFR4-33RFI](#) [BPC5563K](#) [BPR5473J](#) [W21-1R2JI](#) [W31-](#)

[R056JA1](#) [WR404140A6803J4100](#) [MFR3-47KFC](#) [MFR4-1R0FI](#) [MFR4-390RFI](#) [MRS25000C2373FC100](#) [CF18JT47K0](#)

[MRS25000C1051FC100](#) [MFR5-15RFI](#) [MBB0207VD1004BC100](#) [BPC10203J](#) [RSF12JT150R](#) [RC14JT39K0](#) [MBA02040C6980FC100](#)

[MRS25000C2002FC100](#) [MRS25000C8200FC100](#) [MBA02040C1878FC100](#) [MBE04140C1200FC100](#) [MBA02040C1600FC100](#)

[MBA02040C7508FC100](#) [TNP10SC20R0FE](#)