

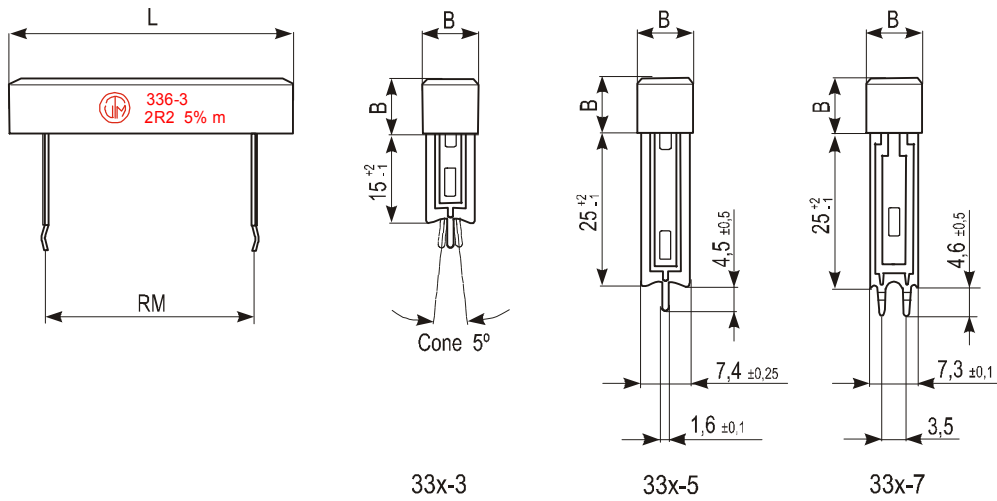


## Power Wirewound Resistors, ceramic case, radial

### Specifications

Type		KWP 330-3/5/7	KWP 331-3/5/7	KWP 332-3/5/7	KWP 333-3/5/7	KWP 335-3/5/7	KWP 336-3/5/7	KWP 337-3/5/7	KWP 338-3/5/7
Nominal Power rating $P_{25}$		3,0	4,0	5,0	7,0	9,0	10,0	15,0	20,0
$P_{70}$	W	2,0	2,2	2,5	3,0	4,5	4,5	5,5	8,0
Resistance range	$\Omega$	0R2 ... 2K4	0R22 ... 3K	0R3 ... 3K6	0R43 ... 4K7	0R56 ... 5K6	0R68 ... 6K8	0R62 ... 7K5	0R91 ... 10K
E-series		E24 (5%), E12 (10%)							
Tolerances	%	$\pm 5, \pm 10$							
Temperature coefficient	$10^{-6} \cdot K^{-1}$	- 80 ...+500 depends on value							
Max. cont. working voltage	$V_{RMS}$	$\sqrt{P_{70} \cdot R}$ for all styles							
Insulation voltage (1min.)	$V_{RMS}$	2000							
Insulation resistance	$\Omega$	$> 10^4 M$							
Derating linear	$^{\circ}C$	Linear 70 ...275 (0W)							
Climatic category		55/200/56							
Temperature range	$^{\circ}C$	-55...275							
Thermal resistance	$KW^{-1}$	37	35	35	35	35	30	20	14
Failure Rate (Total $\vartheta_0$ max, 60% conf. lev.)	$10^{-9} \cdot h^{-1}$	Apr. 100, depends on value							
Endurance ( $P_{70}$ , @70 $^{\circ}C$ , 1000h)	$[\Delta R/R]$ %	$\pm 3,0$ average							
Damp heat, steady state (40 $^{\circ}C$ , 93% r.h., 56d)	$[\Delta R/R]$ %	$\pm 2,0$							
Resistance to soldering heat (260 $^{\circ}C$ , 10s)	$[\Delta R/R]$ %	$\pm 0,5$							
Solderability	S	2,5 Flowtime, solderglobule test, IEC 60068-2-20-T							
Marking		printed in clear							

Dimensions in mm:



Type	L	B	RM
KWP 330-3/5/7	23,0	10,0	10,0
KWP 331-3/5/7	25,0	10,0	12,5
KWP 332-3/5/7	28,0	10,0	15,0
KWP 333-3/5/7	35,5	10,0	22,5
KWP 335-3/5/7	43,0	10,0	30,0
KWP 336-3/5/7	48,0	10,0	35,0
KWP 337-3/5/7	50,0	13,0	32,5
KWP 338-3/5/7	65,0	13,0	47,5

Packaging:

Type	Packaging	Pieces	Pack.-Code
KWP 330-3/5/7	bulk	144	B
KWP 331-3/5/7	bulk	100	B
KWP 332-3	bulk	112	B
KWP 332-5/7		128	
KWP 333-3	bulk	120	B
KWP 333-5/7		100	
KWP 335-3	bulk	150	B
KWP 335-5/7		105	
KWP 336-3	bulk	150	B
KWP 336-5		120	
KWP 336-7		100	
KWP 337-3	bulk	128	B
KWP 337-5		50	
KWP 337-7		64	
KWP 338-3	bulk	100	B
KWP 338-5/7		48	

Ordering example: KWP333-3      5      B      0R43  
 Type      Tolerance      Pack.-Code      R- value

## X-ON Electronics

Largest Supplier of Electrical and Electronic Components

*Click to view similar products for [Metal Oxide Resistors](#) category:*

*Click to view products by [Vishay](#) manufacturer:*

Other Similar products are found below :

[009260C](#) [FA87/180R/5%](#) [ROX1SJ4R7](#) [R0229](#) [M012CT52R220J](#) [WK80922003900J5C00](#) [434529B](#) [WMO5S-100KJA05](#) [ROX1SJ12K](#)  
[ROX1SJ270K](#) [054084X](#) [054211G](#) [054220E](#) [095734G](#) [RS02B887R0FE73](#) [RSS2W470RJTB](#) [RSS3470RJTB](#) [WK202070A1003JD500](#)  
[ROX3SJR22](#) [WR404140A2208JFE00](#) [RSS551KJ](#) [RSS3150RJTB](#) [ROX5SJ39K](#) [MOSX1CT528R2R20F](#) [RSF-25JT-52-120R](#) [RSF50SJT-52-](#)  
[330K](#) [RSF2WSJT-52-60R](#) [RSF-25JT-52-2M](#) [RSF50SJT-52-1M](#) [RSF100JT-52-360K](#) [RSF50SJT-52-22R](#) [RSF50SJT-52-15R](#) [RSF200JT-73-](#)  
[280R](#) [RSF50SJT-52-0R5](#) [RSF-25JT-52-1M2](#) [RSF200JT-73-0R2](#) [RSF-50JT-52-2K5](#) [MO1W-150R±5%-TT63](#) [MO3W-200R±5%-9T73](#)  
[ROX2SJ4K3](#) [ROX5SJ120R](#) [ROX3SJR10](#) [ROX2SJ200K](#) [CPF2200R00JKRE6](#) [LVR01R0200FE73](#) [HR1206J47RP05](#) [HR1206J1MP05](#)  
[HR1206F430KP05](#) [HR1206F680KP05](#) [HR1206J100RP05](#)