

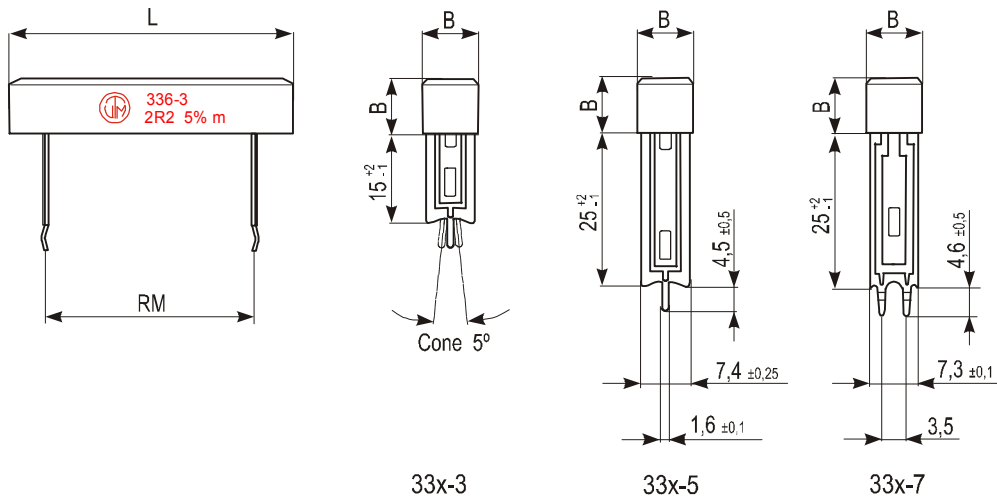


## Power Wirewound Resistors, ceramic case, radial

### Specifications

Type		KWP 330-3/5/7	KWP 331-3/5/7	KWP 332-3/5/7	KWP 333-3/5/7	KWP 335-3/5/7	KWP 336-3/5/7	KWP 337-3/5/7	KWP 338-3/5/7
Nominal Power rating $P_{25}$		3,0	4,0	5,0	7,0	9,0	10,0	15,0	20,0
$P_{70}$	W	2,0	2,2	2,5	3,0	4,5	4,5	5,5	8,0
Resistance range	$\Omega$	0R2 ... 2K4	0R22 ... 3K	0R3 ... 3K6	0R43 ... 4K7	0R56 ... 5K6	0R68 ... 6K8	0R62 ... 7K5	0R91 ... 10K
E-series		E24 (5%), E12 (10%)							
Tolerances	%	$\pm 5, \pm 10$							
Temperature coefficient	$10^{-6} \cdot K^{-1}$	- 80 ...+500 depends on value							
Max. cont. working voltage	$V_{RMS}$	$\sqrt{P_{70} \cdot R}$ for all styles							
Insulation voltage (1min.)	$V_{RMS}$	2000							
Insulation resistance	$\Omega$	$> 10^4 M$							
Derating linear	$^{\circ}C$	Linear 70 ...275 (0W)							
Climatic category		55/200/56							
Temperature range	$^{\circ}C$	-55...275							
Thermal resistance	$KW^{-1}$	37	35	35	35	35	30	20	14
Failure Rate (Total $\vartheta_0$ max, 60% conf. lev.)	$10^{-9} \cdot h^{-1}$	Apr. 100, depends on value							
Endurance ( $P_{70}$ , @70 $^{\circ}C$ , 1000h)	$[\Delta R/R]$ %	$\pm 3,0$ average							
Damp heat, steady state (40 $^{\circ}C$ , 93% r.h., 56d)	$[\Delta R/R]$ %	$\pm 2,0$							
Resistance to soldering heat (260 $^{\circ}C$ , 10s)	$[\Delta R/R]$ %	$\pm 0,5$							
Solderability	S	2,5 Flowtime, solderglobule test, IEC 60068-2-20-T							
Marking		printed in clear							

Dimensions in mm:



Type	L	B	RM
KWP 330-3/5/7	23,0	10,0	10,0
KWP 331-3/5/7	25,0	10,0	12,5
KWP 332-3/5/7	28,0	10,0	15,0
KWP 333-3/5/7	35,5	10,0	22,5
KWP 335-3/5/7	43,0	10,0	30,0
KWP 336-3/5/7	48,0	10,0	35,0
KWP 337-3/5/7	50,0	13,0	32,5
KWP 338-3/5/7	65,0	13,0	47,5

Packaging:

Type	Packaging	Pieces	Pack.-Code
KWP 330-3/5/7	bulk	144	B
KWP 331-3/5/7	bulk	100	B
KWP 332-3 KWP 332-5/7	bulk	112 128	B
KWP 333-3 KWP 333-5/7	bulk	120 100	B
KWP 335-3 KWP 335-5/7	bulk	150 105	B
KWP 336-3 KWP 336-5 KWP 336-7	bulk	150 120 100	B
KWP 337-3 KWP 337-5 KWP 337-7	bulk	128 50 64	B
KWP 338-3 KWP 338-5/7	bulk	100 48	B

Ordering example: KWP333-3      5      B      0R43  
 Type      Tolerance      Pack.-Code      R- value

## X-ON Electronics

Largest Supplier of Electrical and Electronic Components

*Click to view similar products for [Metal Film Resistors - Through Hole](#) category:*

*Click to view products by [Vishay](#) manufacturer:*

Other Similar products are found below :

[FRN25J330R](#) [FRN50J1R0S](#) [H4100RBYA](#) [H415RBZA](#) [H41K1BYA](#) [H41K5BYA](#) [H41M0BDA](#) [H420R5BCA](#) [H421R5BZA](#) [H4221RBYA](#)  
[H424K3BDA](#) [H442K2BDA](#) [H45K62BZA](#) [H4634RBZA](#) [H473R2BZA](#) [H4931KBZA](#) [H8160KFDA](#) [H8274KBZA](#) [H82K0FDA](#) [H82K0FZA](#)  
[H87K5DYA](#) [RLR05C1501GPB14](#) [RLR05C6201GS](#) [RLR20C3240FRB14](#) [RLR20C51R0GMB14](#) [RLR32C7R50FMB14](#) [RNC55H4642FPB14](#)  
[HR01623J](#) [HR01682J](#) [270-1.69M-RC](#) [LR0204F110R](#) [LR0204F18R](#) [LR0204F20K](#) [LR0204F20R](#) [LR0204F510R](#) [LR1F121R](#) [LR1F133K](#)  
[LR1F383R](#) [LR1F3K01](#) [LR1F4K75](#) [LR2F330RJIT](#) [LR2F51R](#) [LR2F910R](#) [ERX-2SZJR20E](#) [SQMR74K7J](#) [FMF-25FTF52-100K](#)  
[FRN50J100RS](#) [FRN50J470RS](#) [H4100RBZA](#) [H414R3BZA](#)