

Low Ohmic Power resistors
Current sensor

Specification

Type		LPS359-XXX
Style		Existing styles upon request
Power rating P_{70}	W	depends on style
Resistance range	Ω	0R0005 ... 0R068
Tolerance	%	± 5 others upon request
Temperature coefficient	$10^{-6} * K^{-1}$	-80 ... +40 for CuNi 44 others upon request
max. cont. working voltage	V_{RMS}	$\sqrt{P_{70} \cdot R}$
Insulation voltage (1min.)	V_{RMS}	not insulated
Insulation resistance	Ω	not insulated
Derating linear	$^{\circ}C$	70 ... 350 (0W)
Climatic category		55/350/56
Temperature range	$^{\circ}C$	-55 ... 350
Thermal resistance		$280^{\circ}C/P_{70}$
Failure rate (Total, ϑ_0 max., 60% conf. lev.)	$10^{-9} * h^{-1}$	< 0,1
Endurance (P_{70} , @ 70 $^{\circ}C$, 1000h, interm.)	$\left[\frac{\Delta R}{R} \right]$ %	< 0,3
Damp heat, steady state (40 $^{\circ}C$, 93% r.h., 56d)	$\left[\frac{\Delta R}{R} \right]$ %	$\pm 0,5$
Climatic sequence	$\left[\frac{\Delta R}{R} \right]$ %	$\pm 0,5$

Series LPS

Low Ohmic Power resistors Current sensor

Terminal strength	$\left[\frac{\Delta R}{R} \right] \%$	n.a.
Terminal tensile strength	N	n.a.
Resistance to soldering heat (260°C, 10s)	$\left[\frac{\Delta R}{R} \right] \%$	0,2% typ.
Solderability		suitable for wave-soldering
Marking		value imprinted

Construction: These components are made directly from resistive alloys. Standard are CuNi 44 and CuNi 23 Mn, others upon request.

Packaging:

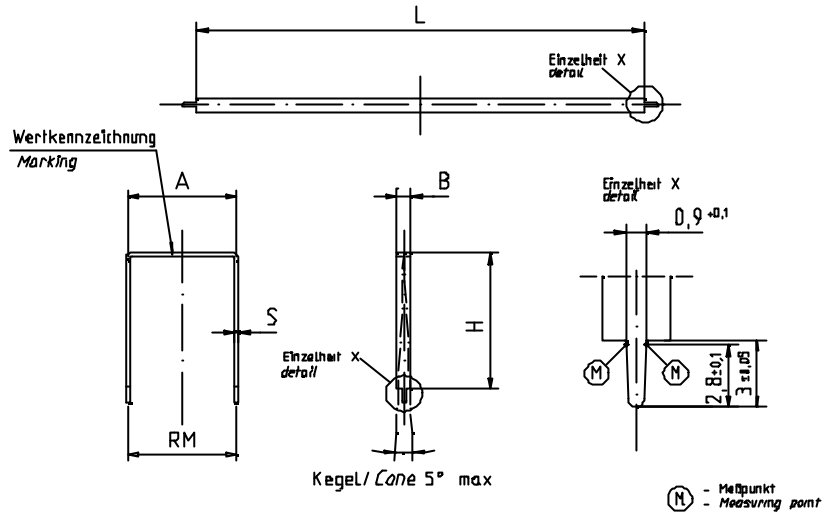
Packaging	Pieces
bulk	depends on size Code

Special packaging: sealed in nitrogen to avoid corrosion.

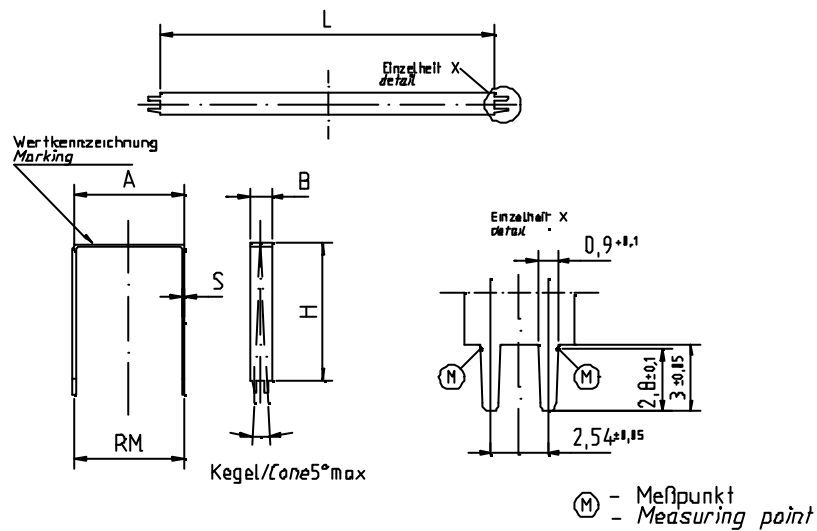
Series LPS

Low Ohmic Power resistors Current sensor

Dimensions in mm:



LPS359-0xx



LPS359-1xx

RM: available from 5 to 25mm, preferably in 5mm-steps.

A, B and S depend on material, resistance value and required power rating.

Ordering example:	LPS 359-Xxx	3	B	R003
	Type	Tolerance	Packing-Code	R-Value

X-ON Electronics

Largest Supplier of Electrical and Electronic Components

Click to view similar products for [vitrohm](#) manufacturer:

Other Similar products are found below :

[RE1206FRE07100RL](#) [RE1206FRE071K5L](#) [RE0402DRE0768KL](#) [RE0805DRE0710KL](#) [RE0805FRE073K32L](#) [PBY160808T-301Y-N](#)
[RE1206FRE0775RL](#) [RE0201BRE071ML](#) [RE0603DRE078K2L](#) [RE0805FRE0790K9L](#) [RE0402DRE071ML](#) [RE0402DRE0791KL](#)
[RE1206FRE0712RL](#) [RE0603FRE071KL](#) [RE0402BRE07100RL](#) [RE0805FRE07220KL](#) [RE0603FRE07100RL](#) [RE0805FRE07100KL](#)
[RE0402BRE0715KL](#) [RE0402FRE07200RL](#) [RE0603FRE071K21L](#) [RE0402DRE071K05L](#) [RE0402DRE0751KL](#) [RE0402FRE0749K9L](#)
[RE0402DRE07390KL](#) [RE0805FRE07330RL](#) [RE0805FRE073K9L](#) [RE0402DRE07130KL](#) [RE0603FRE0710RL](#) [RE1206FRE0712KL](#)
[RE0603FRE075K62L](#) [RE0603FRE072KL](#) [RE0402FRE0775KL](#) [RE0603FRE0720KL](#) [RE0603FRE0749R9L](#) [RE0402FRE0724K9L](#)
[RE0603FRE07150RL](#) [RE0402FRE0733K2L](#) [RE0603FRE0756K2L](#) [RE0402FRE0720KL](#) [RE0603FRE07470RL](#) [RE0603FRE0713KL](#)
[RE0603FRE071K5L](#) [RE0402FRE073K32L](#) [RE0402FRE0730K1L](#) [RE0402FRE07220KL](#) [RE0603FRE0710K5L](#) [RE0402FRE07499RL](#)
[RE0402FRE0712K7L](#) [RE0402FRE0722K1L](#)