



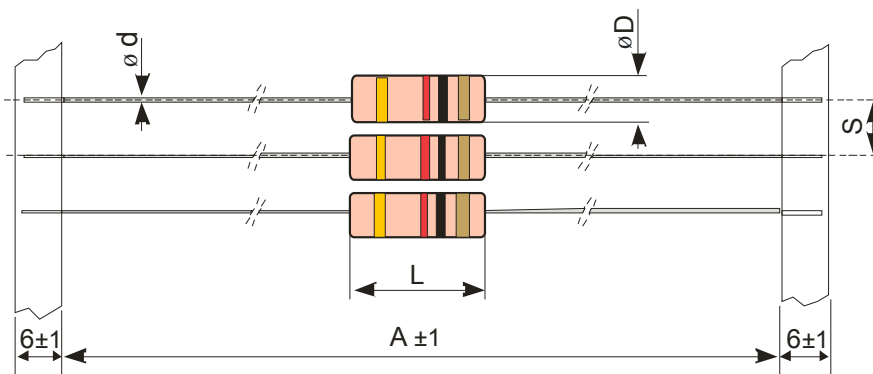
Power Metal film resistors

Flame retardant

Specifications

Type		PF0207	PF0410	PF0516	PF0818
Style		0207	0410	0516	0818
Nominal Power rating P_{70}	W	1	2	3	4
Resistance range	Ω	0R1 ... 10M (1% tol. From 1R)			
E-series		E24 ; E96			
Tolerances	%	5% ; 1%			
Temperature coefficient	$10^{-6} \cdot K^{-1}$	± 100 (± 50 for tol. 1% on request)			
Max. cont. working voltage	V_{RMS}	350	500	750	750
Insulation voltage (1min.)	V_{RMS}	500	500	750	750
Insulation resistance	Ω	$> 10^4$			
Derating linear	$^{\circ}C$	70 ... 250 (0W)			
Climatic category		55 / 200 / 56			
Temperature range	$^{\circ}C$	- 55 ... 200	- 55 ... 230	- 55 ... 240	- 55 ... 250
Thermal resistance	KW^{-1}	130	80	55	50
Failure Rate (Total ϑ_0 max, 60% conf. lev.)	$10^{-9} h^{-1}$	< 1			
Endurance (P_{70} , @ 70 $^{\circ}C$, 1000h intem.)	$[\Delta R/R] \%$	± 2			
Damp heat, steady state (40 $^{\circ}C$, 93% r.h., 56d)	$[\Delta R/R] \%$	± 2			
Climatic sequence	$[\Delta R/R] \%$	± 2			
Terminal Strength	$[\Delta R/R] \%$	$\pm 0,2$			
Terminal tensile Strength	N	30			
Resistance to soldering heat (350 $^{\circ}C$, 3s.)	$[\Delta R/R] \%$	$\pm 0,25 + R05$			
Solderability	S	2,5 Flowtime, solderglobule test, IEC 60068-2-20-T			
Marking		Colour code 4 bands (1% tol.: 5 bands)			

Dimensions in mm:



Type	L	$\varnothing D$	$\varnothing d$	A	S
PF0207	6,3 \pm 0,5	2,4 \pm 0,2	0,6	52,4	5
PF0410	9,0 \pm 0,5	3,9 \pm 0,3	0,6	52,4	5
PF0516	15,5 \pm 1,0	5,0 \pm 0,5	0,8	73,0	10
PF0818	17,0 \pm 1,0	7,5 \pm 0,5	0,8	73,0	10

Packaging:

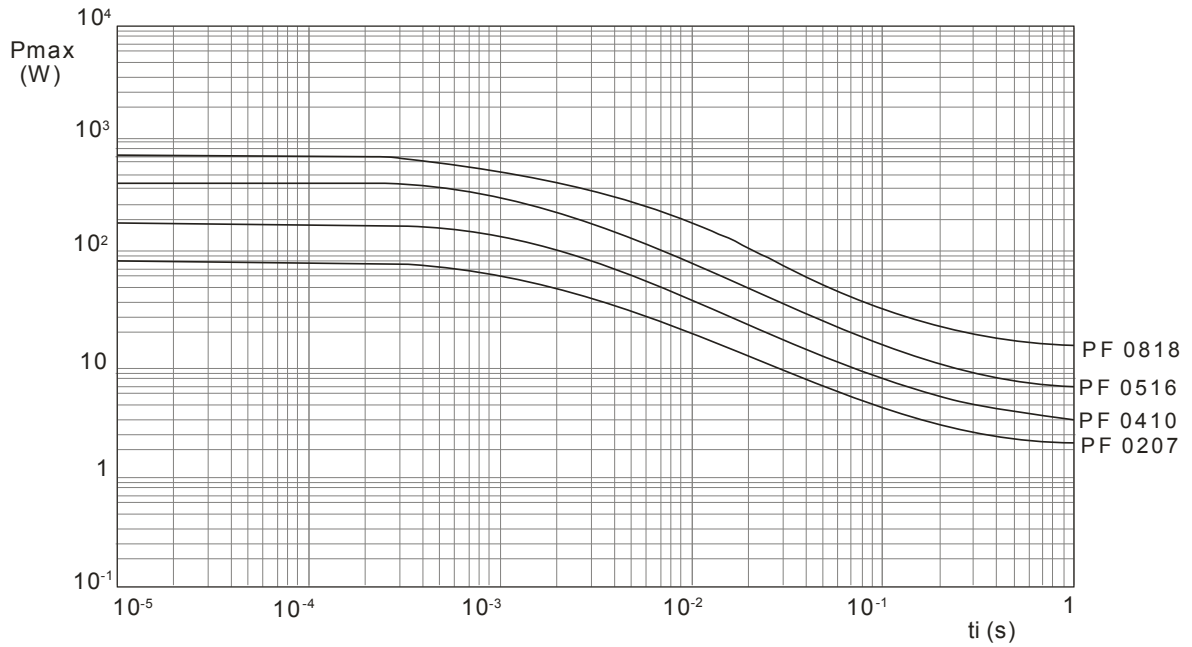
Type	Packaging	Pieces	Pack. Code
PF0207	taped / Ammopack	5000	T
	* taped / reel	5000	R
PF0410	taped / Ammopack	1000	T
	* taped / reel	2500	R
PF0516	taped / Ammopack	1000	T
	* taped / reel	1000	R
PF0818	taped / Ammopack	500	T
	* taped / reel	500	R

* on request

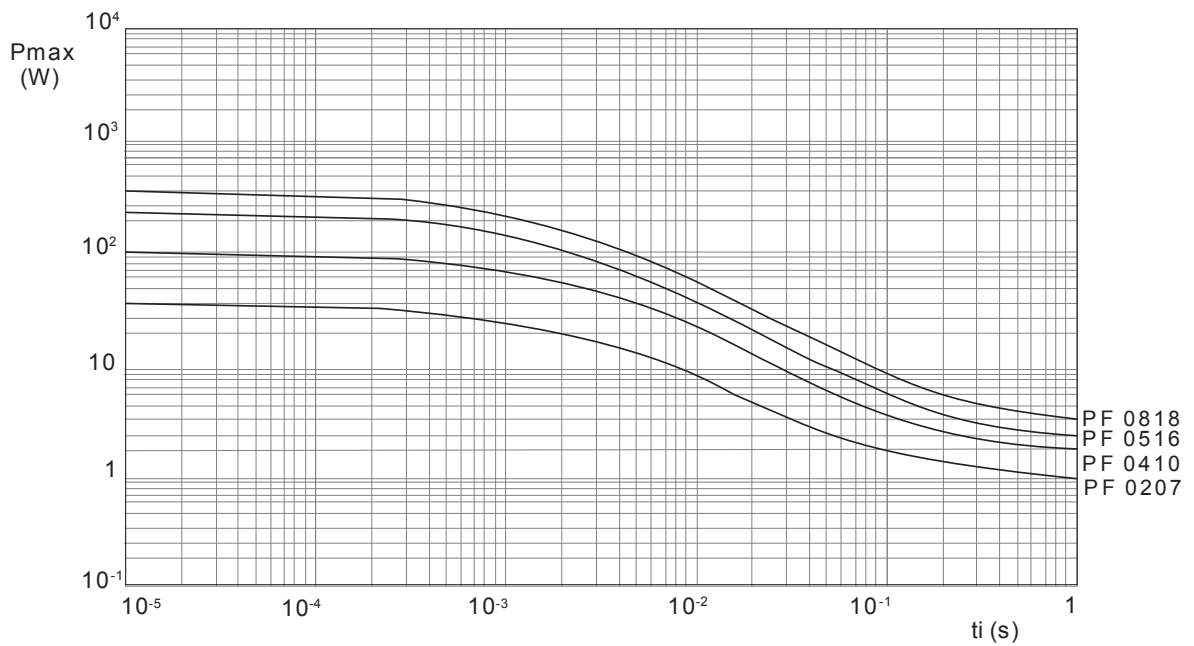
Ordering example: PF0207 5 T 15R
 Type Tolerance Pack.-Code R- value

PULSE RATING

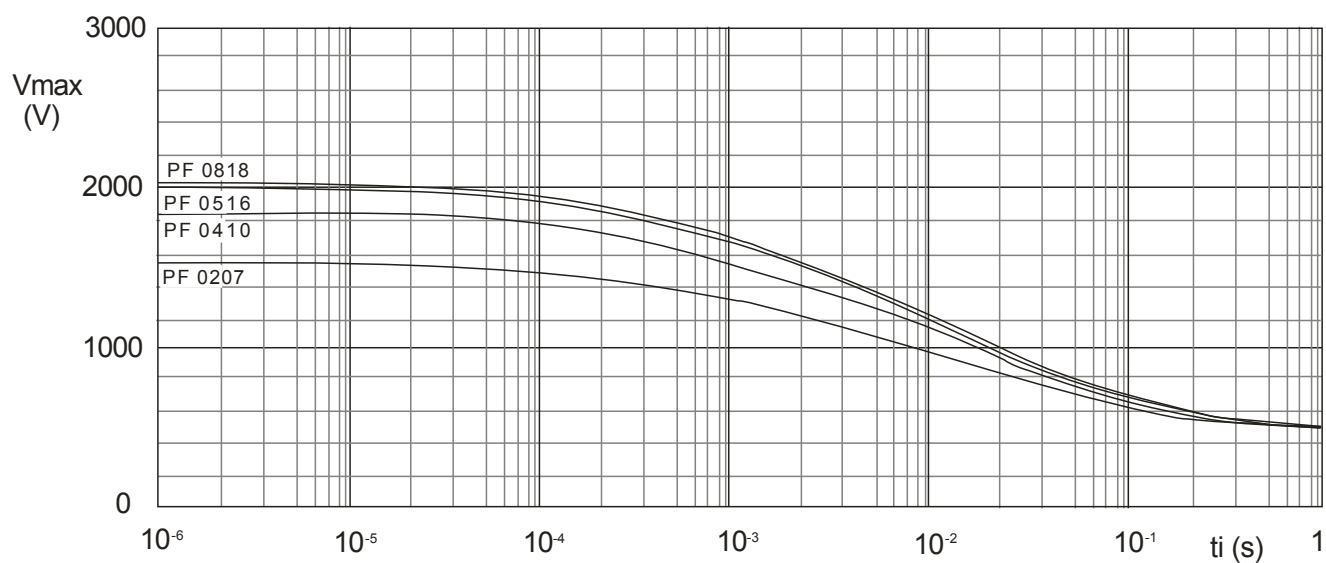
Single Pulse $\bar{P} = 0$



Continuous Pulse $\bar{P} \leq P70$



PULSE RATING



Pulse on a regular basis; maximum permissible peak voltage (V_{max}) as a function of pulse duration (t_i) for typical resistor

X-ON Electronics

Largest Supplier of Electrical and Electronic Components

Click to view similar products for [Wirewound Resistors - Through Hole category](#):

Click to view products by [Vitrohm manufacturer](#):

Other Similar products are found below :

[75822-2K4](#) [90J56R](#) [AC03000001208JAC00](#) [EP3WS47RJ](#) [C1010KJL](#) [C1015RJL](#) [C3A10KJT](#) [27J1K0](#) [ES3W47RJ](#) [AC04000001500JAC00](#)
[AC10000002208JAB00](#) [AC10000004708JAB00](#) [SQMW5R39J](#) [SQPW5R22J](#) [SQPW5R33J](#) [1879927-3](#) [FCB2100RJ](#) [T505](#) [FSQ5WR47J](#)
[FW10A33R0JA](#) [CPCC03R5000JB31](#) [CPCC0510R00JE32](#) [CPCC051R000JB31](#) [CPCP10500R0JE32](#) [CPW05700R0JE143](#)
[CPW152K500JE313](#) [C1010RJL](#) [C10R47JL](#) [C141K0JL](#) [C144R7JL](#) [ES05W100RJ](#) [SQMW1047RJ](#) [SQMW210RJ](#) [CPCC03R2000JB31](#)
[CPCC0515R00JE01](#) [CPW055R000JB143](#) [CPW103K300JE143](#) [CPW202R000JB14](#) [ULW5-39R0JT075](#) [W31-R47JA1](#) [ULW5-68RJT075](#)
[SQBW401K0JFASTON](#) [SPH1001JLF](#) [65888-3R3](#) [CPCC10R5100JE66](#) [SQP500JB-400R](#) [SQBW403R3JFASTON](#) [280-PRM7-4.7-RC](#)
[CW02B9R100JE73](#) [CPCP05R1000JE32](#)