



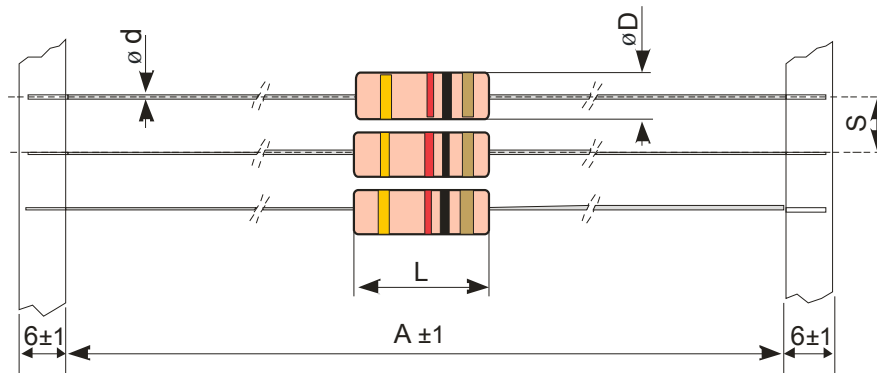
## Power Metal film resistors

### Flame retardant

#### Specifications

Type		PF0207	PF0410	PF0516	PF0818
Style		0207	0410	0516	0818
Nominal Power rating $P_{70}$	W	1	2	3	4
Resistance range	$\Omega$	0R1 ... 10M (1% tol. From 1R)			
E-series		E24 ; E96			
Tolerances	%	5% ; 1%			
Temperature coefficient	$10^{-6} \cdot K^{-1}$	$\pm 100$ ( $\pm 50$ for tol. 1% on request)			
Max. cont. working voltage	$V_{RMS}$	350	500	750	750
Insulation voltage (1min.)	$V_{RMS}$	500	500	750	750
Insulation resistance	$\Omega$	$> 10^4$			
Derating linear	$^{\circ}C$	70 ... 250 (0W)			
Climatic category		55 / 200 / 56			
Temperature range	$^{\circ}C$	- 55 ... 200	- 55 ... 230	- 55 ... 240	- 55 ... 250
Thermal resistance	$KW^{-1}$	130	80	55	50
Failure Rate (Total $\vartheta_0$ max, 60% conf. lev.)	$10^{-9} h^{-1}$	$< 1$			
Endurance ( $P_{70}$ , @ 70 $^{\circ}C$ , 1000h intem.)	$[\Delta R/R] \%$	$\pm 2$			
Damp heat, steady state (40 $^{\circ}C$ , 93% r.h., 56d)	$[\Delta R/R] \%$	$\pm 2$			
Climatic sequence	$[\Delta R/R] \%$	$\pm 2$			
Terminal Strength	$[\Delta R/R] \%$	$\pm 0,2$			
Terminal tensile Strength	N	30			
Resistance to soldering heat (350 $^{\circ}C$ , 3s.)	$[\Delta R/R] \%$	$\pm 0,25 + R05$			
Solderability	S	2,5 Flowtime, solderglobule test, IEC 60068-2-20-T			
Marking		Colour code 4 bands (1% tol.: 5 bands)			

Dimensions in mm:



Type	L	Ø D	Ø d	A	S
PF0207	6,3 ±0,5	2,4 ±0,2	0,6	52,4	5
PF0410	9,0 ±0,5	3,9 ±0,3	0,6	52,4	5
PF0516	15,5 ±1,0	5,0 ±0,5	0,8	73,0	10
PF0818	17,0 ±1,0	7,5 ±0,5	0,8	73,0	10

Packaging:

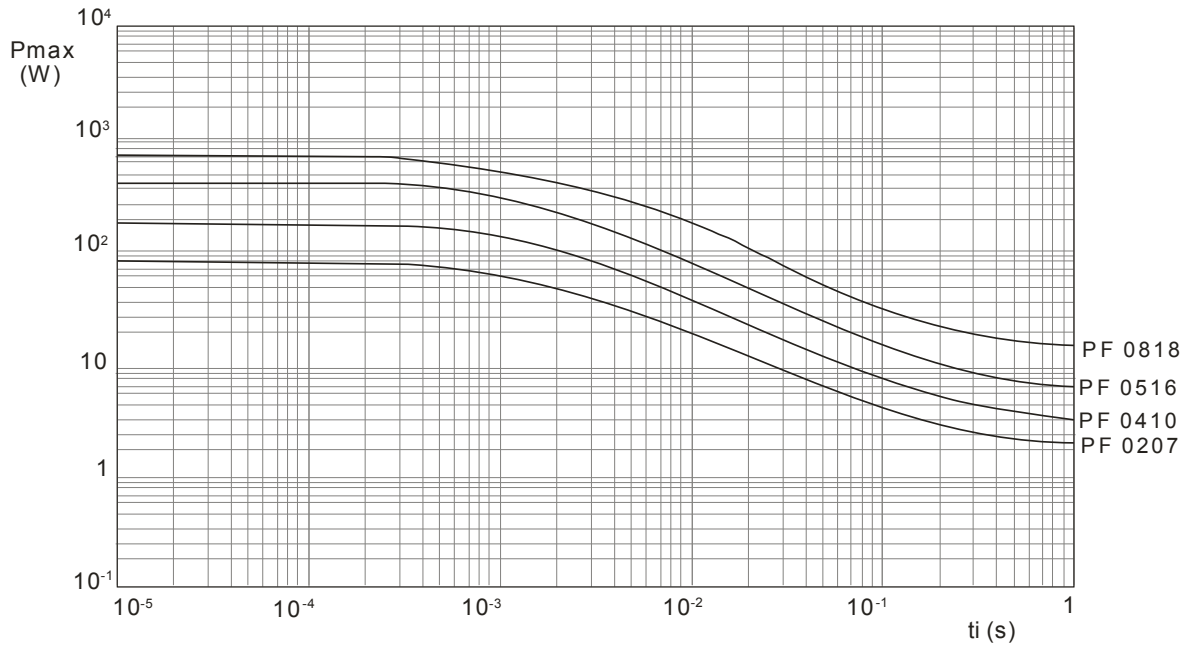
Type	Packaging	Pieces	Pack. Code
PF0207	taped / Ammopack	5000	T
	* taped / reel	5000	R
PF0410	taped / Ammopack	1000	T
	* taped / reel	2500	R
PF0516	taped / Ammopack	1000	T
	* taped / reel	1000	R
PF0818	taped / Ammopack	500	T
	* taped / reel	500	R

\* on request

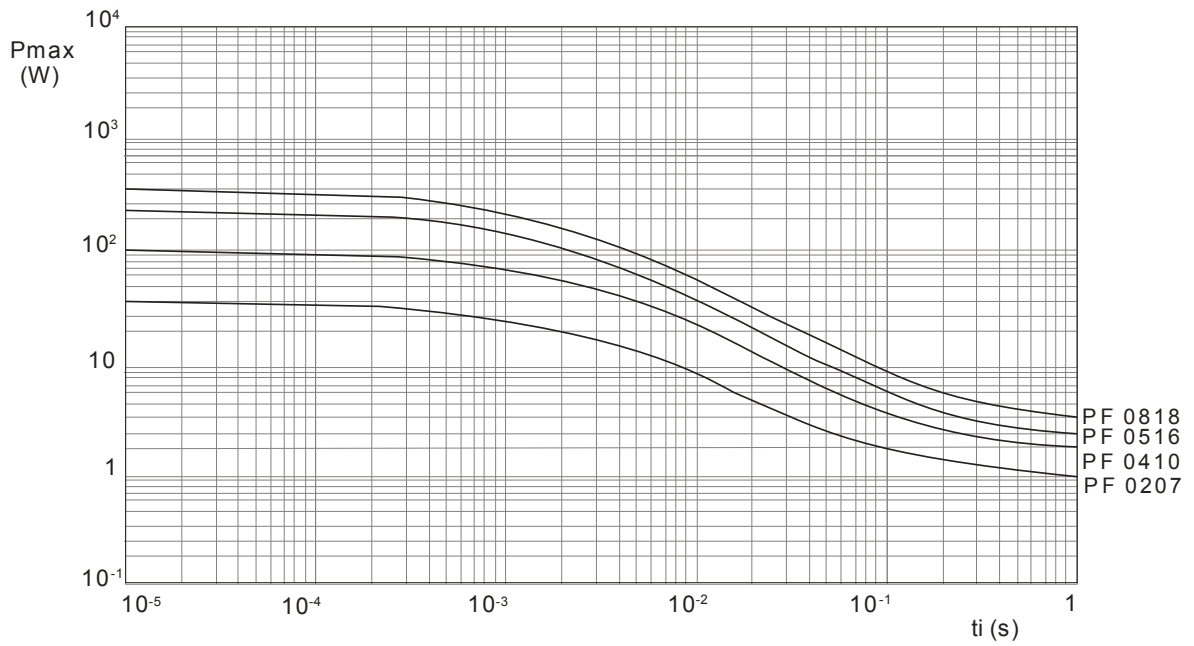
Ordering example: PF0207 5 T 15R  
 Type Tolerance Pack.-Code R- value

### PULSE RATING

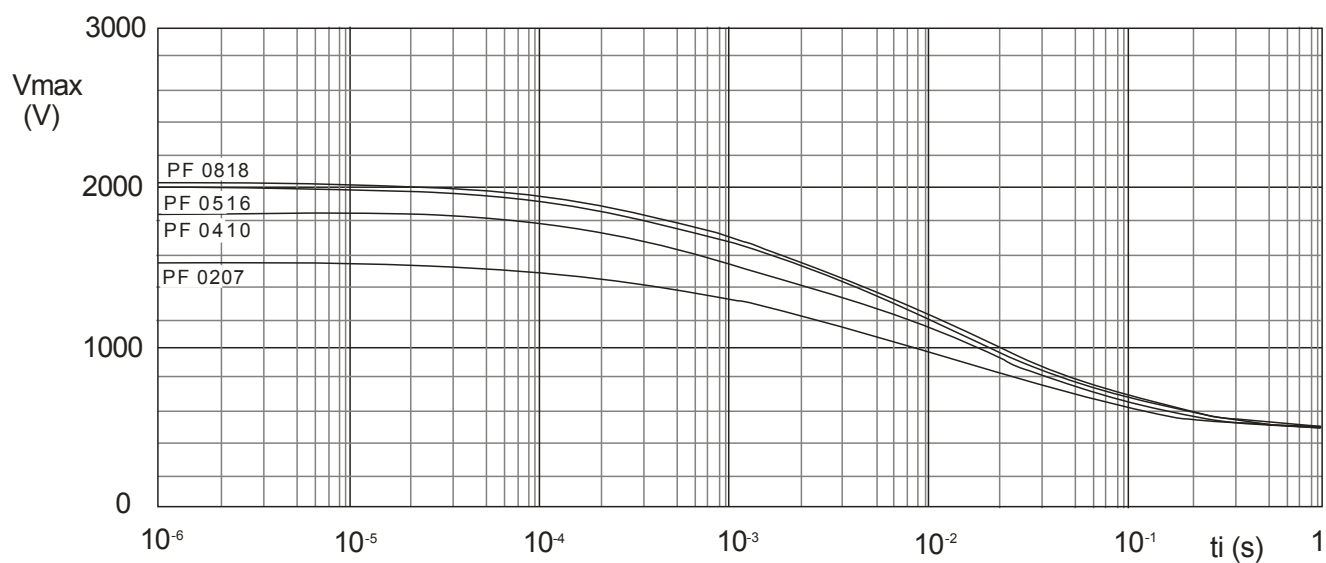
Single Pulse  $\bar{P} = 0$



Continuous Pulse  $\bar{P} \leq P70$



## PULSE RATING



Pulse on a regular basis; maximum permissible peak voltage ( $V_{max}$ ) as a function of pulse duration ( $t_i$ ) for typical resistor

## X-ON Electronics

Largest Supplier of Electrical and Electronic Components

*Click to view similar products for [vitrohm](#) manufacturer:*

Other Similar products are found below :

[RE1206FRE07100RL](#) [RE1206FRE071K5L](#) [RE0402DRE0768KL](#) [RE0805DRE0710KL](#) [RE0805FRE073K32L](#) [PBY160808T-301Y-N](#)  
[RE1206FRE0775RL](#) [RE0201BRE071ML](#) [RE0603DRE078K2L](#) [RE0805FRE0790K9L](#) [RE0402DRE071ML](#) [RE0402DRE0791KL](#)  
[RE1206FRE0712RL](#) [RE0603FRE071KL](#) [RE0402BRE07100RL](#) [RE0805FRE07220KL](#) [RE0603FRE07100RL](#) [RE0805FRE07100KL](#)  
[RE0402BRE0715KL](#) [RE0402FRE07200RL](#) [RE0603FRE071K21L](#) [RE0402DRE071K05L](#) [RE0402DRE0751KL](#) [RE0402FRE0749K9L](#)  
[RE0402DRE07390KL](#) [RE0805FRE07330RL](#) [RE0805FRE073K9L](#) [RE0402DRE07130KL](#) [RE0603FRE0710RL](#) [RE1206FRE0712KL](#)  
[RE0603FRE075K62L](#) [RE0603FRE072KL](#) [RE0402FRE0775KL](#) [RE0603FRE0720KL](#) [RE0603FRE0749R9L](#) [RE0402FRE0724K9L](#)  
[RE0603FRE07150RL](#) [RE0402FRE0733K2L](#) [RE0603FRE0756K2L](#) [RE0402FRE0720KL](#) [RE0603FRE07470RL](#) [RE0603FRE0713KL](#)  
[RE0603FRE071K5L](#) [RE0402FRE073K32L](#) [RE0402FRE0730K1L](#) [RE0402FRE07220KL](#) [RE0603FRE0710K5L](#) [RE0402FRE07499RL](#)  
[RE0402FRE0712K7L](#) [RE0402FRE0722K1L](#)