



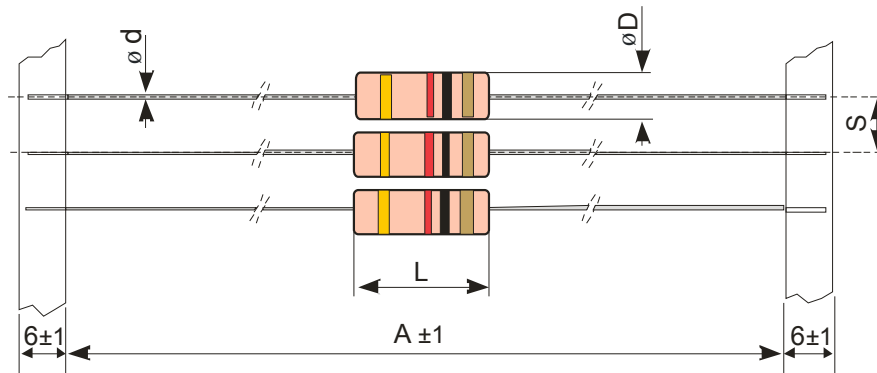
Power Metal film resistors

Flame retardant

Specifications

Type		PF0207	PF0410	PF0516	PF0818
Style		0207	0410	0516	0818
Nominal Power rating P_{70}	W	1	2	3	4
Resistance range	Ω	0R1 ... 10M (1% tol. From 1R)			
E-series		E24 ; E96			
Tolerances	%	5% ; 1%			
Temperature coefficient	$10^{-6} \cdot K^{-1}$	± 100 (± 50 for tol. 1% on request)			
Max. cont. working voltage	V_{RMS}	350	500	750	750
Insulation voltage (1min.)	V_{RMS}	500	500	500	500
Insulation resistance	Ω	$> 10^4$			
Derating linear	$^{\circ}C$	70 ... 250 (0W)			
Climatic category		55 / 200 / 56			
Temperature range	$^{\circ}C$	- 55 ... 200	- 55 ... 230	- 55 ... 240	- 55 ... 250
Thermal resistance	KW^{-1}	130	80	55	50
Failure Rate (Total ϑ_0 max, 60% conf. lev.)	$10^{-9} h^{-1}$	< 1			
Endurance (P_{70} , @ 70 $^{\circ}C$, 1000h intem.)	$[\Delta R/R] \%$	± 2			
Damp heat, steady state (40 $^{\circ}C$, 93% r.h., 56d)	$[\Delta R/R] \%$	± 2			
Climatic sequence	$[\Delta R/R] \%$	± 2			
Terminal Strength	$[\Delta R/R] \%$	$\pm 0,2$			
Terminal tensile Strength	N	30			
Resistance to soldering heat (350 $^{\circ}C$, 3s.)	$[\Delta R/R] \%$	$\pm 0,25 + R05$			
Solderability	S	2,5 Flowtime, solderglobule test, IEC 60068-2-20-T			
Marking		Colour code 4 bands (1% tol.: 5 bands)			

Dimensions in mm:



Type	L	$\varnothing D$	$\varnothing d$	A	S
PF0207	6,3 \pm 0,5	2,4 \pm 0,2	0,6	52,4	5
PF0410	9,0 \pm 0,5	3,9 \pm 0,3	0,6	52,4	5
PF0516	15,5 \pm 1,0	5,0 \pm 0,5	0,8	73,0	10
PF0818	17,0 \pm 1,0	7,5 \pm 0,5	0,8	73,0	10

Packaging:

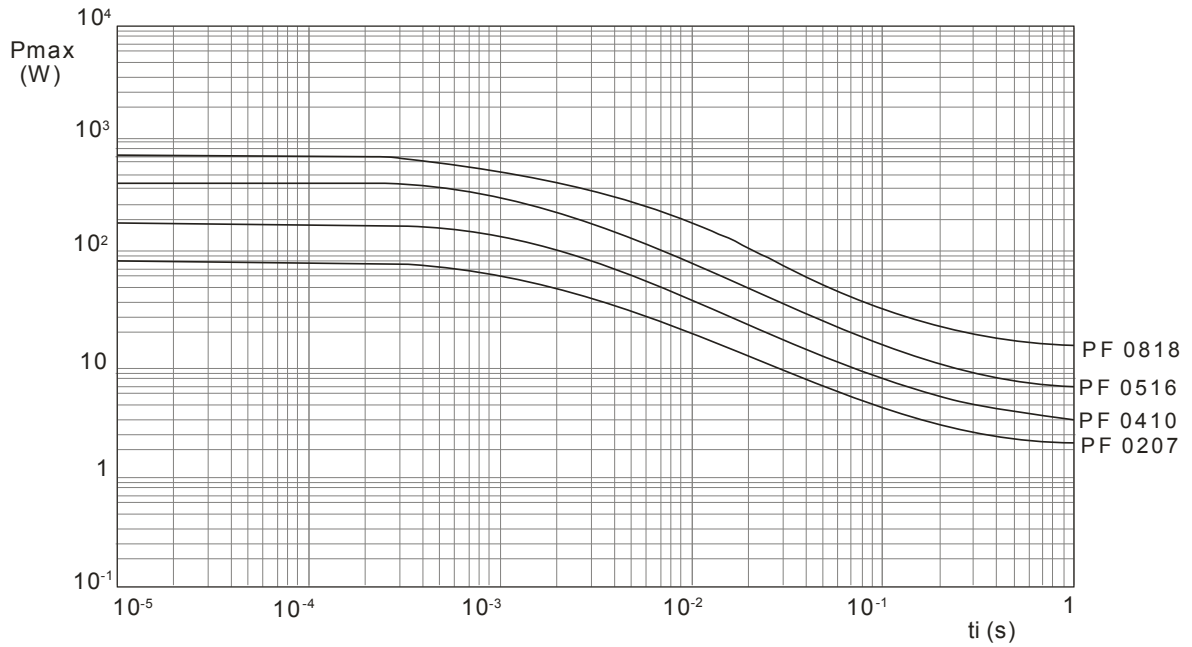
Type	Packaging	Pieces	Pack. Code
PF0207	taped / Ammopack	5000	T
	* taped / reel	5000	R
PF0410	taped / Ammopack	1000	T
	* taped / reel	2500	R
PF0516	taped / Ammopack	1000	T
	* taped / reel	1000	R
PF0818	taped / Ammopack	250	T

* on request

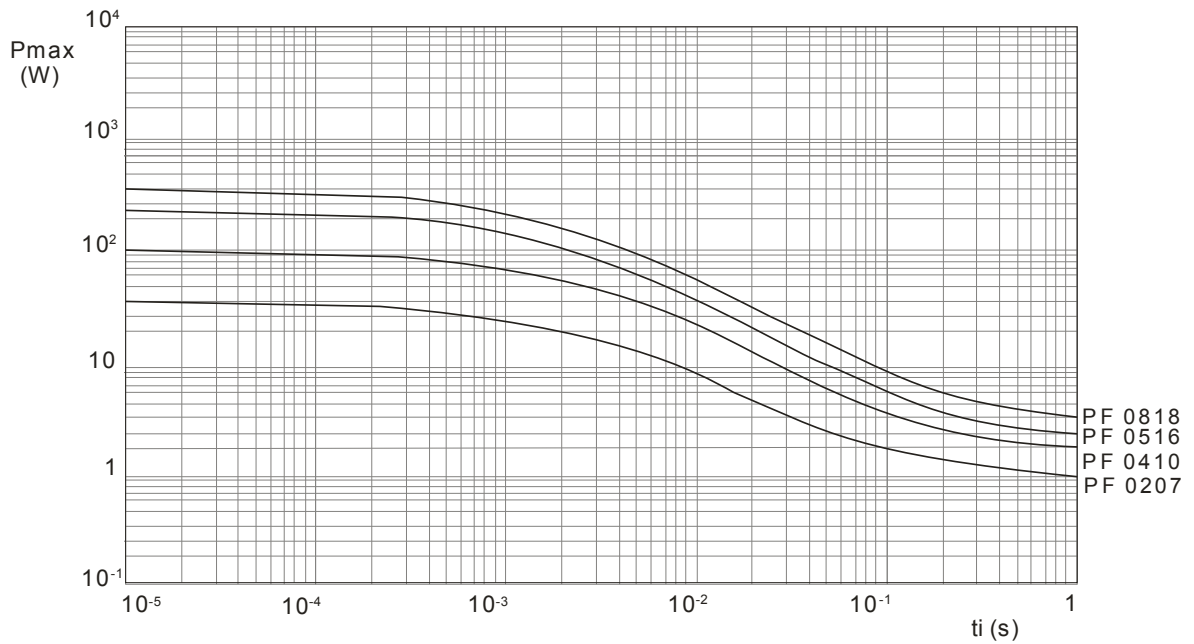
Ordering example: PF0207 5 T 15R
 Type Tolerance Pack.-Code R- value

PULSE RATING

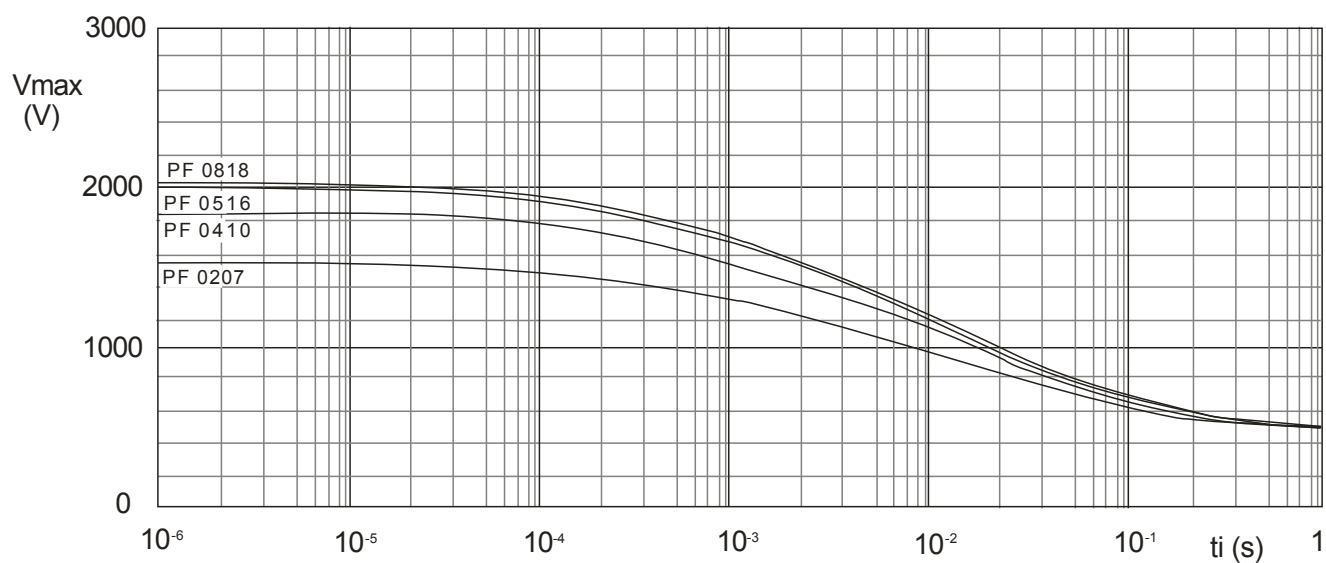
Single Pulse $\bar{P} = 0$



Continuous Pulse $\bar{P} \leq P70$



PULSE RATING



Pulse on a regular basis; maximum permissible peak voltage (V-max) as a function of pulse duration (t_i) for typical resistor

X-ON Electronics

Largest Supplier of Electrical and Electronic Components

Click to view similar products for [Metal Film Resistors - Through Hole](#) category:

Click to view products by [Vishay](#) manufacturer:

Other Similar products are found below :

[FRN25J330R](#) [FRN50J1R0S](#) [H4100RBYA](#) [H415RBZA](#) [H41K1BYA](#) [H41K5BYA](#) [H41M0BDA](#) [H420R5BCA](#) [H421R5BZA](#) [H4221RBYA](#)
[H424K3BDA](#) [H442K2BDA](#) [H45K62BZA](#) [H4634RBZA](#) [H473R2BZA](#) [H4931KBZA](#) [H8160KFDA](#) [H8274KBZA](#) [H82K0FDA](#) [H82K0FZA](#)
[H87K5DYA](#) [RLR05C1501GPB14](#) [RLR05C6201GS](#) [RLR20C3240FRB14](#) [RLR20C51R0GMB14](#) [RLR32C7R50FMB14](#) [RNC55H4642FPB14](#)
[HR01623J](#) [HR01682J](#) [270-1.69M-RC](#) [LR0204F110R](#) [LR0204F18R](#) [LR0204F20K](#) [LR0204F20R](#) [LR0204F510R](#) [LR1F121R](#) [LR1F133K](#)
[LR1F383R](#) [LR1F3K01](#) [LR1F4K75](#) [LR2F330RJIT](#) [LR2F51R](#) [LR2F910R](#) [ERX-2SZJR20E](#) [SQMR74K7J](#) [FMF-25FTF52-100K](#) [FRN25J47R](#)
[FRN50J100RS](#) [FRN50J470RS](#) [H4100RBZA](#)