

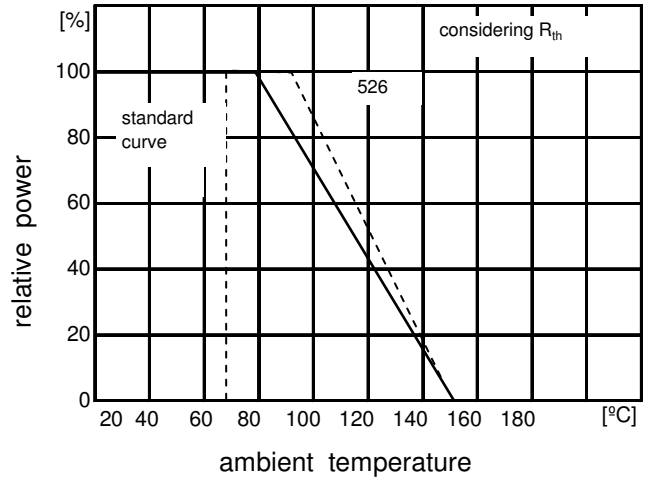
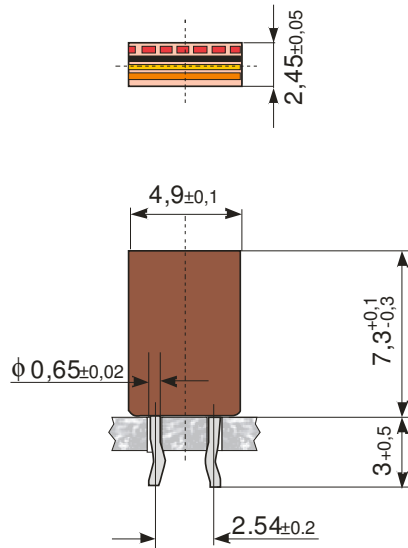


Metalglaze film resistors, moulded, vertical Uninflammable acc. to IEC 695-2-2

Specifications

		RGU526-0
Type		04
Style		04
Nominal Power rating P_{70}	W	0,5
Resistance range	Ω	see next page
E-series		see next page
Tolerances	%	see next page
Temperature coefficient	$10^{-6} \cdot K^{-1}$	see next page
Max. cont. working voltage	V_{RMS}	350
Voltage coefficient	$10^{-6} V^{-1}$	<30
Insulation voltage (1min.)	V_{RMS}	1000
Insulation resistance	$M\Omega$	$>10^4$ Except top surface
Derating linear	$^{\circ}C$	see next page
Climatic category		55 / 155 / 56
Temperature range	$^{\circ}C$	- 55 ... 175
Thermal resistance	KW^{-1}	90
Failure rate (Total ϑ_0 max, 60% conf. lev.)	$10^{-9} \cdot h^{-1}$	<1
Endurance (P_{70} , @ 70 $^{\circ}C$, 1000h intem.)	$[\Delta R/R] \%$	$\pm 0,5$
Damp heat, steady state (40 $^{\circ}C$, 93% r.h., 56d)	$[\Delta R/R] \%$	$\pm 1,0$
Climatic sequence	$[\Delta R/R] \%$	$\pm 1,0$
Terminal Strength	$[\Delta R/R] \%$	$\pm 0,2$
Terminal tensile Strength	N	40
Resistance to soldering heat (260 $^{\circ}C$, 10s.)	$[\Delta R/R] \%$	$\pm 0,1$
Solderability	S	2,5 Flowtime, solderglobule test, IEC 60068-2-20-T
Current noise (DIN/IEC 195)	dB	R < 1K: -20 R > 1K ± 20 /decade
Nonlinearity (DIN/IEC 440)	dB	110 -20/decade
Marking		DIN-IEC-Colour code; 4 resp. 5 colors

Dimensions in mm:



Resistance range	E-series	Tolerance	Temperature coefficient 10^{-6} K^{-1}
0R3 ... 3M3	E 24	± 2%	100 (T0) *
10R ... 3M32	E 24 / E 96	± 1%	50 (T2)
10R ... 1M	E 96	± 0,5%	50 (T2)

* R <1R TC200

Packaging:

Type	Packaging	Pack. Code	Pieces
RGU526-0	bulk	B	1000

Ordering example: RGU526-0 1 B 1K
 Type Tolerance Pack.- code R-Value

X-ON Electronics

Largest Supplier of Electrical and Electronic Components

Click to view similar products for [Wirewound Resistors - Through Hole category](#):

Click to view products by [Vitrohm manufacturer](#):

Other Similar products are found below :

[75822-2K4](#) [90J56R](#) [AC03000001208JAC00](#) [EP3WS47RJ](#) [C1010KJL](#) [C1015RJL](#) [C3A10KJT](#) [27J1K0](#) [ES3W47RJ](#) [AC04000001500JAC00](#)
[AC10000002208JAB00](#) [AC10000004708JAB00](#) [SQMW5R39J](#) [SQPW5R22J](#) [SQPW5R33J](#) [1879927-3](#) [FCB2100RJ](#) [T505](#) [FSQ5WR47J](#)
[FW10A33R0JA](#) [CPCC03R5000JB31](#) [CPCC0510R00JE32](#) [CPCC051R000JB31](#) [CPCP10500R0JE32](#) [CPW05700R0JE143](#)
[CPW152K500JE313](#) [C1010RJL](#) [C10R47JL](#) [C141K0JL](#) [C144R7JL](#) [ES05W100RJ](#) [SQMW1047RJ](#) [SQMW210RJ](#) [CPCC03R2000JB31](#)
[CPCC0515R00JE01](#) [CPW055R000JB143](#) [CPW103K300JE143](#) [CPW202R000JB14](#) [ULW5-39R0JT075](#) [W31-R47JA1](#) [ULW5-68RJT075](#)
[SQBW401K0JFASTON](#) [SPH1001JLF](#) [65888-3R3](#) [CPCC10R5100JE66](#) [SQP500JB-400R](#) [SQBW403R3JFASTON](#) [280-PRM7-4.7-RC](#)
[CW02B9R100JE73](#) [CPCP05R1000JE32](#)