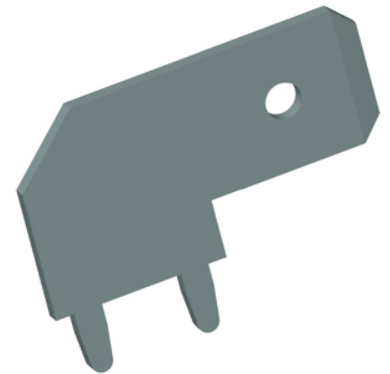


PRODUCT DATA SHEET

03867B.68

Mounting tabs for PCB – 03867 B Ms sn magaziniert



Product Overview

SKU	03867b.68
Part description	Mounting tabs for PCB
Part designation	03867 B Ms sn magaziniert

Material

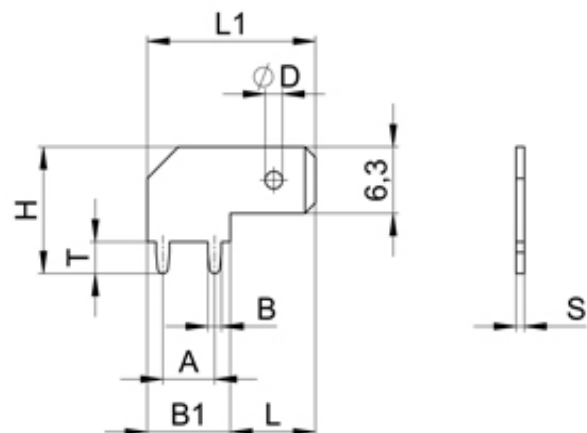
Component	Brass
Surface	pure tin-plated

Technical Details

Net weight kg/1000	0.808
Hole Ø for PCB [mm]	1.30

Dimensions

A [mm]	5.00
B [mm]	1.30
B1 [mm]	8.00
B2 [mm]	6.30
D [mm]	1.65
H [mm]	12.00
L [mm]	8.20
L1 [mm]	16.20
S [mm]	0.80
T [mm]	3.00



© 2022 | Vogt AG Verbindungstechnik

The general conditions of sale of Vogt AG apply to this product. See www.vogt.ch/downloads.

This data sheet is regularly revised but is not subject to any change service.

This article is a freely available article according to the above specification. The availability of certificates according to EN 10204, others acceptance test certificates or material compliance and customer-specific part submission warrant, are to be requested by the customer and, if available, can be obtained for a fee.

You can find more information on the free available product conformities at www.vogt.ch/downloads.

X-ON Electronics

Largest Supplier of Electrical and Electronic Components

Click to view similar products for [Terminals](#) category:

Click to view products by [Vogt](#) manufacturer:

Other Similar products are found below :

[00-054007-01074-6](#) [00-054007-70206-1](#) [00-054007-70210-8](#) [00-054007-70217-7](#) [00-054007-70228-3](#) [00-054007-70256-6](#) [00-054007-70316-7](#) [00-054007-49560-4](#) [00-054007-70209-2](#) [00-054007-70231-3](#) [00-054007-70241-2](#) [00-054007-70242-9](#) [00-054007-70246-7](#) [00-054007-70263-4](#) [00-054007-70288-7](#) [00-054007-70290-0](#) [00-054007-70300-6](#) [00-054007-70304-4](#) [01-2900-1-04412](#) [00581P0075](#) [600TS-10](#) [605601-1](#) [60598-1-CUT-TAPE](#) [60617-1-C](#) [61314-6-C](#) [61810-3](#) [62149-1](#) [626-0194](#) [63-S](#) [M55155/059I03](#) [M55155/079C01](#) [M55155/099B03](#) [M55155/099H02](#) [M55155/109H01](#) [M55155/12XH05](#) [M55155/29XJ08](#) [M55155/30-6S](#) [M55155/30-9S](#) [M55155/30XI09](#) [M6-14RSX](#) [696683-1](#) [696861-1](#) [696999-1](#) [M86700006](#) [D18-110B-C](#) [D18-110B-M](#) [701-1936](#) [701-1955](#) [701-2003](#) [701-2007](#)