



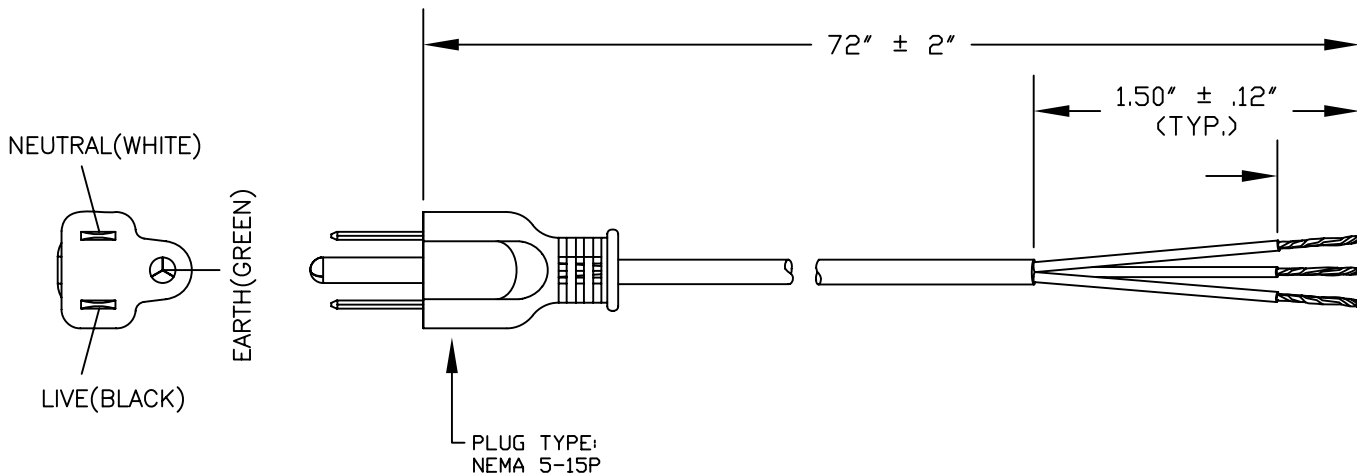
VOLEX

GROUP

## Standard Cord Details: 17237 8 B1





Specifications	
<b>Certifications</b>	
<b>Part Number</b>	17237 8 B1
<b>Connector Type</b>	none
<b>Plug Type</b>	5-15P
<b>Category</b>	Plastic
<b>Application</b>	Non-Detachable
<b>Plug Catalog No.</b>	PS204
<b>Connector Catalog No.</b>	
<b>Cable</b>	SVT AWG 18x3
<b>Jacket Color</b>	Gray
<b>Length in Feet</b>	6
<b>Length in Meters</b>	1.83
<b>Temperature Rating</b>	60C
<b>Packaging Units Per Carton</b>	50
<b>Color Coding</b>	North America
<b>Nominal OD in Inches</b>	0.246
<b>Nominal OD in Millimeters</b>	6.25
<b>Notes</b>	See 17239 for 8ft version. See 17405 for SJT version.



VOLEX RESERVES THE RIGHT TO ALTER NON-CRITICAL DIMENSIONS WITHOUT NOTICE.

PACKAGING: BULK (NO HANK OR COIL)

**NOTES:**

- 1) CORDAGE: 18/3/SVT/60°C/0
- 2) APPROVALS:  
- 3) RATING: 10 AMP/125 VOLTS
- 4) FLAME RATING : FT2
- 5) CORDAGE O.D. : .252 (REF.)
- 6) PACKAGING: 50 PIECES/CAR
- 7) ALL DIMENSIONS IN inches

3	CHANGE PLU
2	FORMAT UPDA
1	C.U.D - NEW RE

REV	DE
SCALE: NOT TO SCALE	ECD: N/A
TOLERANCE UNLESS OTHERWISE SPECIFIED .XXX ± .005 .XX ± .02 .X ± .03 FRACT. ± 1/32 ANGULAR ± 1/2°	ITEM DESCRIPTION CORDS POW  APPROVED  STC  PART NO.



FORM IN71-07 REV.A

- Indianapolis, IN
- Conover, N.C.
- Freemont, CA
- Aguascalientes, MX
- Tijuana, Mexico
- Hermosillo, MX
- Clinton, AR
- Kanata, Canada

**Proprietary Notice:**

This document is the property of Volex Incorporated. The information contained herein is not to be disclosed to anyone without the express written consent of Volex Inc.

MATERIAL:  
PLUG: PVC, GRAY  
JACKET: PVC, GRAY

FINISH:  
JACKET: SERRATED

## X-ON Electronics

Largest Supplier of Electrical and Electronic Components

*Click to view similar products for [AC Power Leads](#) category:*

*Click to view products by [Volex](#) manufacturer:*

Other Similar products are found below :

[1300000023](#) [312033-01](#) [YP-61+YC12](#) [P28818-M2](#) [YP21A+YC13](#) [FTP-629Y603](#) [1702002600](#) [1700001947](#) [J2014004L001-CC SHELF](#)  
[IL13-EU1-H05-3100-300-S](#) [P28976-M45](#) [BB-3271V86](#) [W-98452](#) [W-98453](#) [MWOC-PCA-3-3-2](#) [P29844-M5](#) [P29844-M10](#) [3-100-354](#) [W-](#)  
[99245](#) [W-99246](#) [W-99249](#) [W-99251](#) [W-99252](#) [W-99253](#) [W-99254](#) [W-99257](#) [W-99260](#) [W-99261](#) [W-99262](#) [W-99265](#) [W-99267](#) [W-99269](#)  
[W-99270](#) [W-99272](#) [W-99280](#) [W-99282](#) [S144720002](#) [S002020062](#) [S007220315](#) [S007220344](#) [S007220345](#) [S007220303](#) [S007220307](#)  
[P28818-M6](#) [1019123](#) [387005324](#) [59903000000](#) [VL-0136-14-200](#) [387007040](#) [387006821](#)