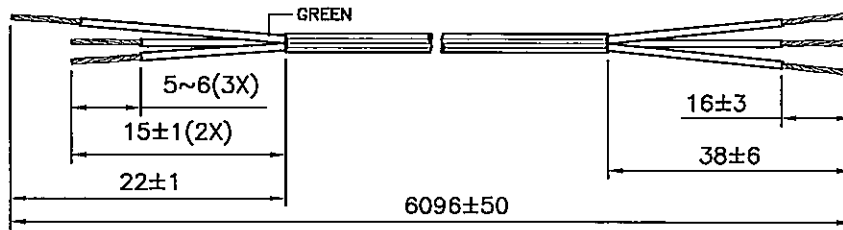
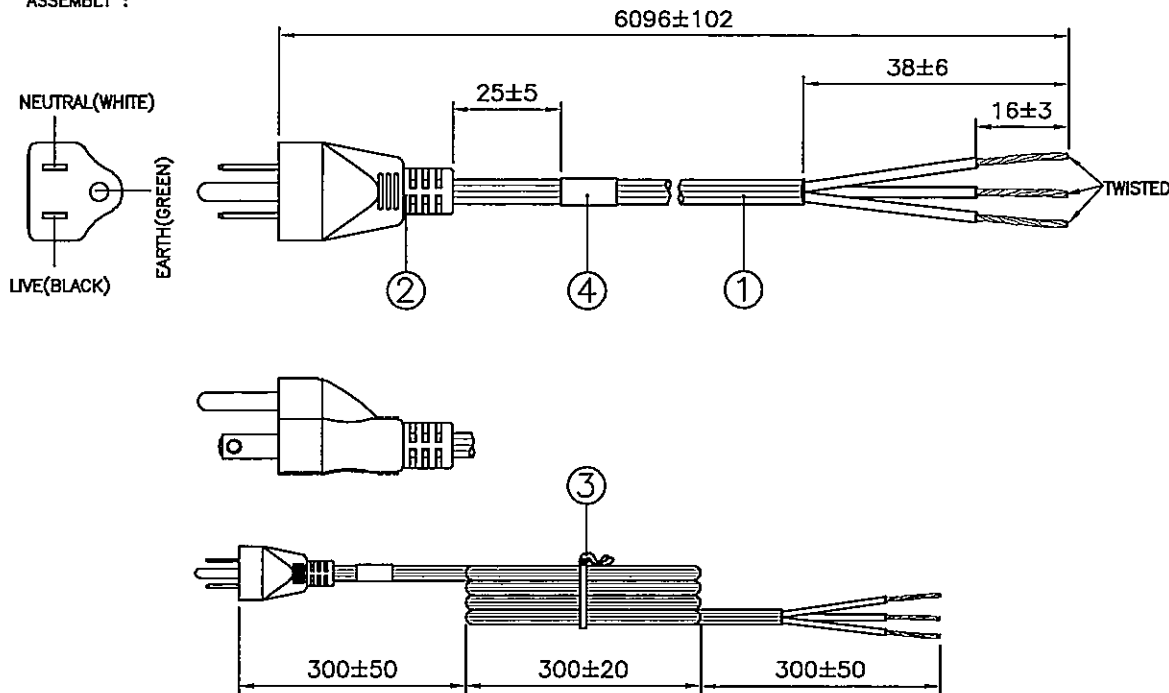


DRAWING NUMBER: 1103480  
 REVISION: G

CABLE CUTTING  
 CABLE SOURCE :  
 1. VOLEX-JEM(DONG GUAN).  
 2. BAO HING(SHENZHEN).  
 3. TONG YUAN(SHENZHEN).



ASSEMBLY :



- Notes :
- ALL DIMENSIONS IN mm.
  - PLUG MARKING : REFER TO MARKING DRAWING NO. : VP-0108R.
  - PLUG DETAILS : REFER TO PRODUCT DRAWING NO. : P-0044.
  - LABEL DETAILS : REFER TO LABEL DRAWING NO. : VL-0234.
  - THIS PART CAN BE MANUFACTURED AT ANY LOCATION WHICH HAS SAFETY APPROVAL.

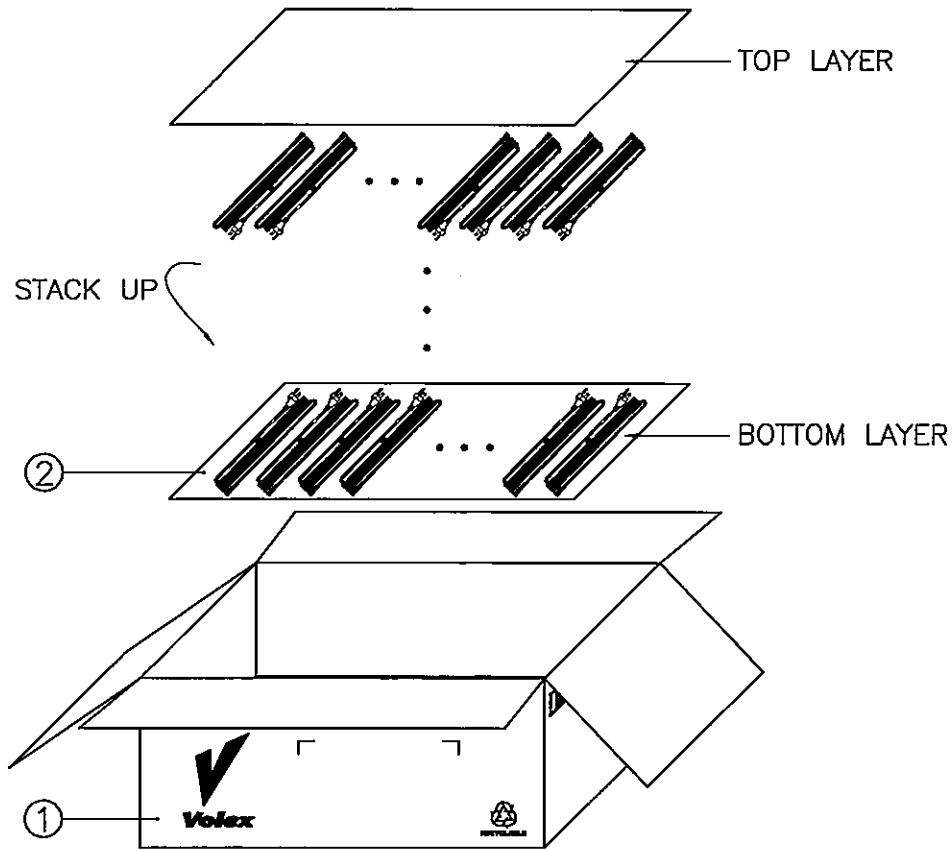
REV.	ECR REF. NO.	DESCRIPTION	DATE
F	180553	ADD 'VOLEX-JEM' AS THE FIRST ALTERNATE CABLE SOURCE.	17/08/18
G	180657	ADD IN EPE FOAM '904335' AS ALTERNATE MATERIAL FOR THE TOP AND BOTTOM LAYER PADS ON PAGE 2.	30/11/18

4	PRINTED LABEL	VL-0234	1
3	8" PE TIE BLK	6310062	1
2	IP40G NL83003B RAL7037 GREY	4100253	-
	MOLDED PLUG PS204 (13A 125V)	PS204	1
1	SJT 16/3 60°C BWG RAL7037 GREY RIBBED	1910187	6.096M
	PVC LEAD FREE		

S/N	DESCRIPTION	ITEM NUMBER	QTY
TITLE : NORTH-AMERICAN POWER SUPPLY CORD (CS-LF0001)		PAGE : 1/2	
CUSTOMER : VIS/VOLEX INC		HG09-200-05	
CUSTOMER PART NUMBER : 17276 8 C3		DWG. TYPE	
F/G CODE : 17276 8 C3		SPEC NO. : ---	OED
SALES : N.A.	QA : N.A.	ENGRG : Feng	CHECKED BY : thw
DATE : N.A.	DATE : N.A.	DATE : 06/12/18	DATE : 30/11/18
DRAWN BY : WANGHUI			<b>Voilex (Asia) Pte Ltd</b>
<small>Confidential property of Voilex. Information contained herein shall not be disclosed to others, reproduced or used for any other purpose except as authorized in writing by an authorized official of Voilex Asia.</small>			

DRAWING NUMBER :

1103480



**NOTE :**

1.) ALL DIMENSIONS IN mm.

**PACKAGING INSTRUCTION**

1. PLUG'S DIRECTION TO BE IN ALTERNATE ARRANGEMENT WHEN PACKING.
2. PACKAGING : 25 PCS PER CARTON.

2	EPE FOAM 550X315X3MM	904335	OR
	CARTON PAPER 550X305MM	901024	0.08
1	LONG CARTON 560X330X250MM	901011	0.04
S/N	DESCRIPTION	ITEM NUMBER	QTY
REVISION	G	TITLE : PACKAGING SPEC.	
PAGE	2/2		
SCALE	N.T.S.		
REFERENCE :		<b>Volex (Asia) Pte Ltd</b>	
DESCRIPTION : CARTON BOX		<small>Confidential property of Volex. Information contained herein shall not be disclosed to others, reproduced or used for any other purposes except as authorized in writing by an authorized official of Volex Asia.</small>	

## X-ON Electronics

Largest Supplier of Electrical and Electronic Components

*Click to view similar products for [AC Power Leads](#) category:*

*Click to view products by [Volex](#) manufacturer:*

Other Similar products are found below :

[62500-1774](#) [1300000023](#) [312033-01](#) [YP-61+YC12](#) [P28818-M2](#) [YP21A+YC13](#) [FTP-629Y603](#) [1702002600](#) [1700001947](#) [J2014004L001-CC](#)  
[SHELF](#) [IL13-EU1-H05-3100-300-S](#) [P28976-M45](#) [BB-3271V86](#) [W-98452](#) [W-98453](#) [MWOC-PCA-3-3-2](#) [P29844-M5](#) [P29844-M10](#) [3-100-](#)  
[354](#) [W-99245](#) [W-99246](#) [W-99249](#) [W-99251](#) [W-99252](#) [W-99253](#) [W-99254](#) [W-99257](#) [W-99260](#) [W-99261](#) [W-99262](#) [W-99265](#) [W-99267](#) [W-](#)  
[99269](#) [W-99270](#) [W-99272](#) [W-99280](#) [W-99282](#) [S144720002](#) [S002020062](#) [S007220315](#) [S007220344](#) [S007220345](#) [S007220303](#) [S007220307](#)  
[P28818-M6](#) [1019123](#) [387005324](#) [59903000000](#) [VL-0136-14-200](#) [387007040](#)