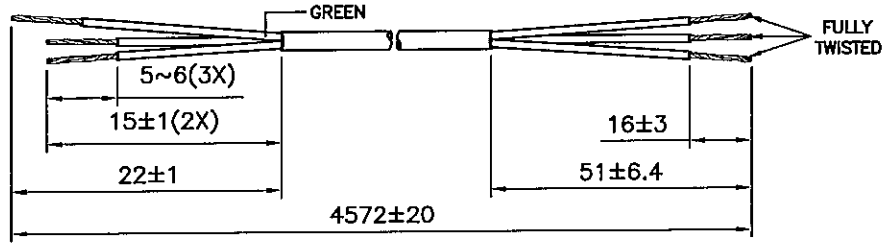
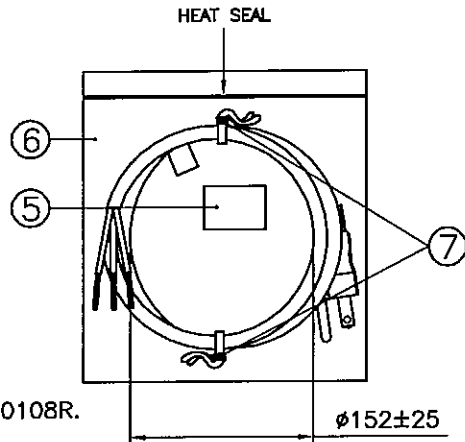
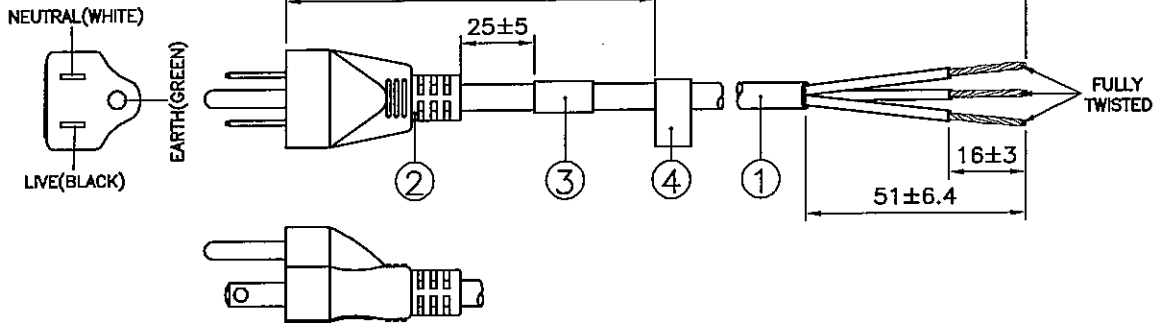


DRAWING NUMBER: 1108627
 REVISION: D

CABLE CUTTING
 CABLE SOURCE :
 1. TA TUN(DONG GUAN).



ASSEMBLY :



Notes :

1. ALL DIMENSIONS IN mm.
2. PLUG MARKING : REFER TO MARKING DRAWING NO. : VP-0108R.
3. PLUG DETAILS : REFER TO PRODUCT DRAWING NO. : P-0044.
4. LABEL DETAILS : REFER TO LABEL DRAWING NO. : VL-0234 & VL-0325 RESPECTIVELY.
5. THIS PART CAN BE MANUFACTURED AT ANY LOCATION WHICH HAS SAFETY APPROVAL.

REV.	ECR REF. NO.	DESCRIPTION	DATE
C	080722	CHANGE LABEL FM. 'VL-0346' TO '6101205' & REMOVE 'VL-0346' IN NOTE 4 AS SHOWN.	12/05/08
D	150232	CHANGE PLUG MARKING DWG. NO. FM. 'VP-0108' TO 'VP-0108R'.	15/05/15

7	8" PE TIE BLK	6310062	2
6	BAG LDPE 203X305X0.05	904035	1
5	PRINTED LABEL	VL-0325	1
4	UL LABEL 1PCS 60.3X12.3MM (FOR VIS/VOLEX INC)	6101205	1
3	PRINTED LABEL	VL-0234	1
2	IP40G NL792B BLK	4100017	-
	MOLDED PLUG PS204 (13A 125V)	PS204-R	1
1	SJ 16/3 90°C BWG BLK	1920019	4.572M

S/N	DESCRIPTION	ITEM NUMBER	QTY
TITLE : NORTH-AMERICAN POWER SUPPLY CORD (CS-LF0001)		PAGE : 1/2	
CUSTOMER : VIS/VOLEX INC		HG12-021-07	
CUSTOMER PART NUMBER : 17425 1Ø S2		DWG. TYPE	
F/G CODE : 17425 1Ø S2		SPEC NO. : ---	OED

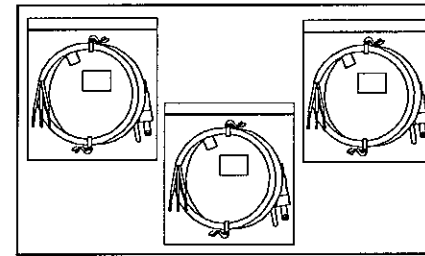
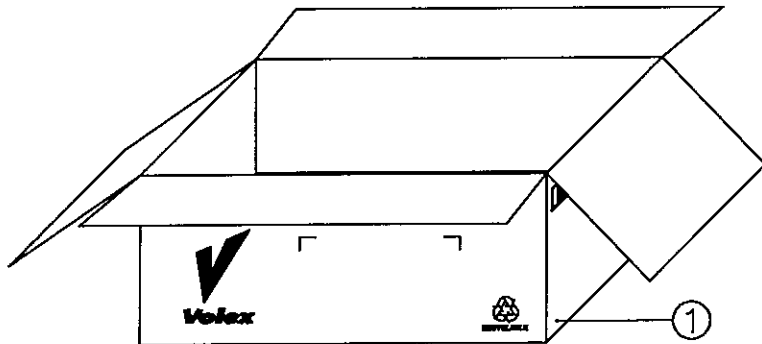
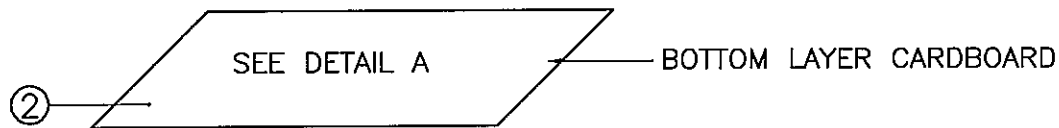
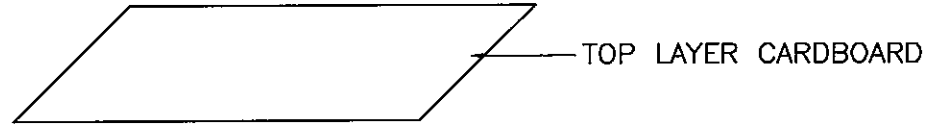
SALES : N.A.	QA : N.A.	ENGRG : Feng	CHECKED BY : Sandy Yu	DRAWN BY : SANDY YU	Voilex (Asia) Pte Ltd <small>Confidential property of Voilex. Information contained herein shall not be disclosed to others, reproduced or used for any other programs except as authorized in writing by an authorized official of Voilex Asia.</small>
DATE : N.A.	DATE : N.A.	DATE : 23/05/15	DATE : 18/05/15	DATE : 15/05/15	

DRAWING NUMBER :

1108627

PACKAGING INSTRUCTION

1. 10 PCS PER STACK, 3 STACKS PER CARTON.
2. ALL CORDSETS LAYOUT AS DETAIL.
3. PACKAGING : 30 PCS PER CARTON.



DETAIL A

NOTE :

- 1.) ALL DIMENSIONS IN mm.

2	CARTON PAPER 550X305MM	901024	0.0667
1	LONG CARTON 560X330X250MM	901011	0.0334
S/N	DESCRIPTION	ITEM NUMBER	QTY
REVISION	D	TITLE : PACKAGING SPEC.	
PAGE	2/2		
SCALE	N.T.S.		
REFERENCE :		<i>Volex (Asia) Pte Ltd</i>	
DESCRIPTION : CARTON BOX		<small>Confidential property of Volex. Information contained herein shall not be disclosed to others, reproduced or used for any other purposes except as authorized in writing by an authorized official of Volex Asia.</small>	

X-ON Electronics

Largest Supplier of Electrical and Electronic Components

Click to view similar products for [AC Power Leads](#) category:

Click to view products by [Volex](#) manufacturer:

Other Similar products are found below :

[1300000023](#) [312033-01](#) [YP-61+YC12](#) [P28818-M2](#) [YP21A+YC13](#) [FTP-629Y603](#) [1702002600](#) [1700001947](#) [J2014004L001-CC SHELF](#)
[IL13-EU1-H05-3100-300-S](#) [P28976-M45](#) [BB-3271V86](#) [W-98452](#) [W-98453](#) [MWOC-PCA-3-3-2](#) [P29844-M5](#) [P29844-M10](#) [3-100-354](#) [W-](#)
[99245](#) [W-99246](#) [W-99249](#) [W-99251](#) [W-99252](#) [W-99253](#) [W-99254](#) [W-99257](#) [W-99260](#) [W-99261](#) [W-99262](#) [W-99265](#) [W-99267](#) [W-99269](#)
[W-99270](#) [W-99272](#) [W-99280](#) [W-99282](#) [S144720002](#) [S002020062](#) [S007220315](#) [S007220344](#) [S007220345](#) [S007220303](#) [S007220307](#)
[P28818-M6](#) [1019123](#) [387005324](#) [59903000000](#) [VL-0136-14-200](#) [387007040](#) [387006821](#)