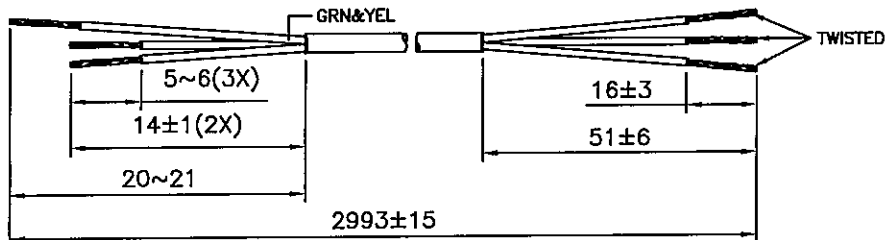


DRAWING NUMBER: 1103317  
 REVISION: K

CABLE CUTTING

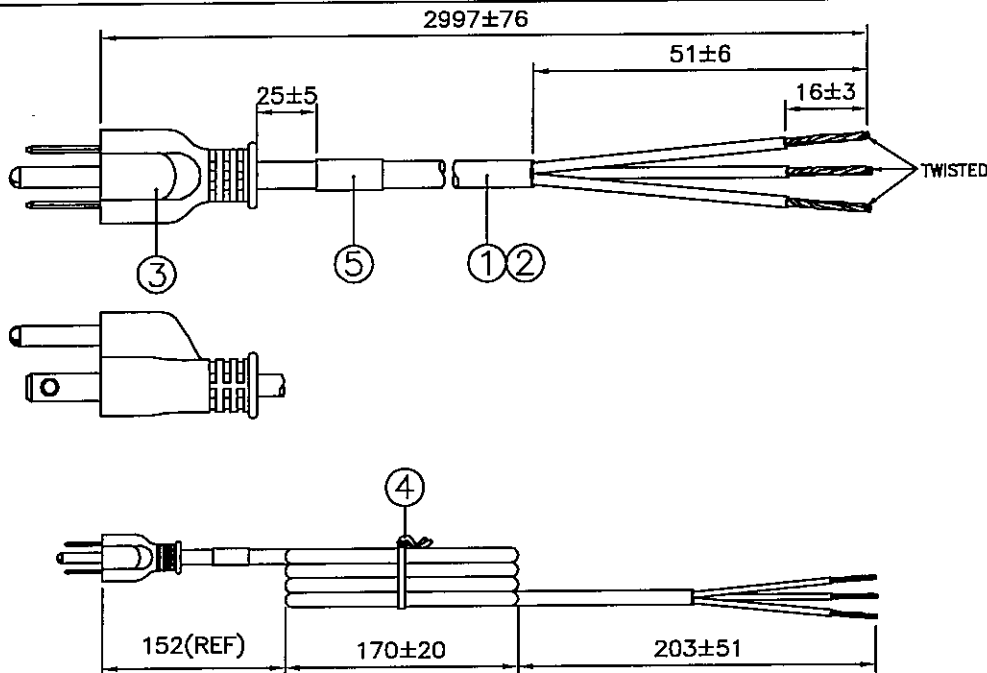
CABLE SOURCE :

1. BAO HING(SHENZHEN).(FOR S/N 1)
2. TONG YUAN(SHENZHEN).(FOR S/N 1)
3. TA HSING(SHENZHEN).(FOR S/N 1)
4. WONDERFUL.(FOR S/N 2)
5. AWIN.(FOR S/N 1 & 2)
6. KUPOINT.(FOR S/N 1 & 2)



ASSEMBLY :

NEUTRAL(BLUE)  
 LIVE(BROWN)  
 EARTH(GRN&YEL)



Notes :

1. ALL DIMENSIONS IN mm.
2. PLUG MARKING : REFER TO MARKING DRAWING NO. : VP-0144D.
3. PLUG DETAILS : REFER TO PRODUCT DRAWING NO. : P-0322.
4. LABEL DETAILS : REFER TO LABEL DRAWING NO. : VL-0234.
5. CARTON BOX MUST HAVE A LABEL/STAMP SAYING : " THIS PACKAGE CONTAINS CORDS HAVING GROUNDING CONDUCTOR WITH GREEN/YELLOW COLOUR INSULATION, NEUTRAL CONDUCTOR WITH BLUE COLOUR INSULATION AND LIVE CONDUCTOR WITH BROWN COLOUR INSULATION " .
6. THIS PART CAN BE MANUFACTURED AT ANY LOCATION WHICH HAS SAFETY APPROVAL.

REV.	ECR REF. NO.	DESCRIPTION	DATE
J	150209	ADD IN CABLE SOURCE 'AWIN & KUPOINT'. UPDATE NOTE 5.	09/05/15
K	150232	CHANGE PLUG MARKING DWG. NO. FM. 'VP-0144' TO 'VP-0144D'	15/05/15

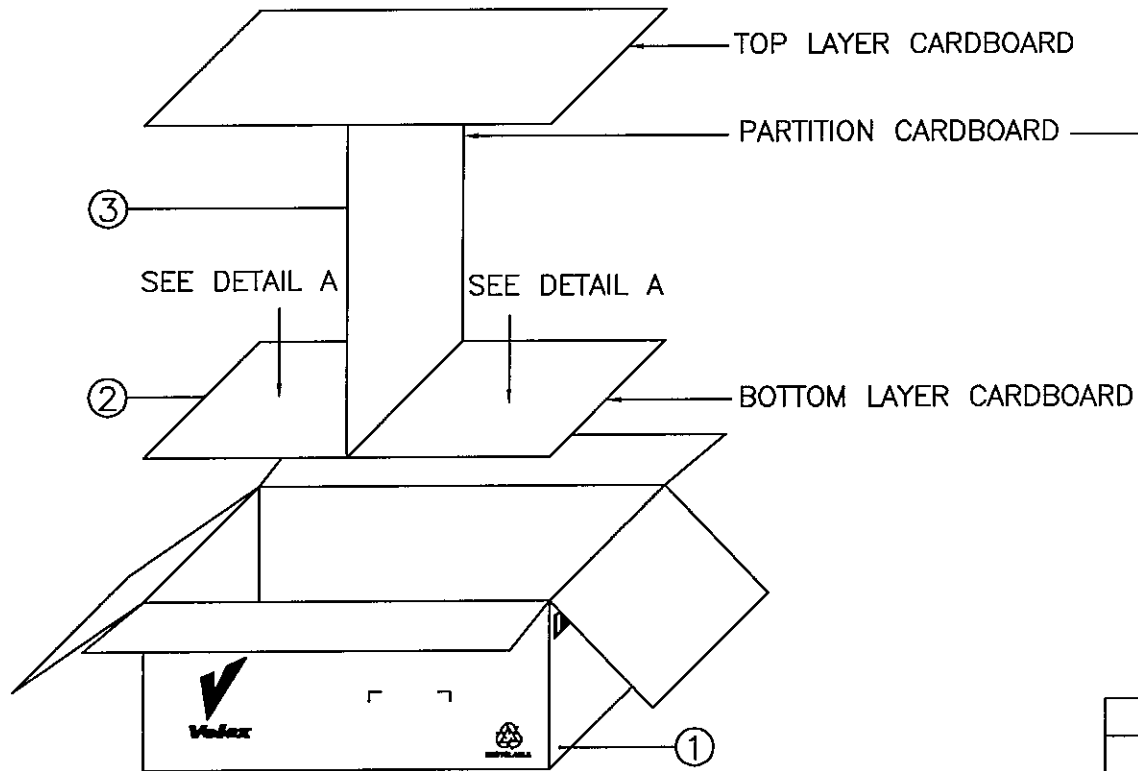
5	PRINTED LABEL	VL-0234	1
4	6" PE TIE BLK	6310056	1
	IP40G NL792B BLK	4100017	-
3	MOLDED PLUG US15S3 (10A 125V)	US15S3	1
2	SVT 18/3 60°C BBGY BLK LF (OD 6.1)	1810287	OR
1	SVT 18/3 60°C BBGY BLK PVC LEAD FREE	1810121	2.993M

S/N	DESCRIPTION	ITEM NUMBER	QTY
TITLE : NORTH-AMERICAN POWER SUPPLY CORD (CS-LF0001)		PAGE : 1/2	
CUSTOMER : VIS/VOLEX INC		HG08-394-05	
CUSTOMER PART NUMBER : 17535 1Ø B1		DWG. TYPE	
F/G CODE : 17535 1Ø B1		SPEC NO.: --- OED	

SALES : N.A.	QA : N.A.	ENGRG : Feng	CHECKED BY : Lily	DRAWN BY : LILY ZHOU	<b>Volex (Asia) Pte Ltd</b> <small>Confidential property of Volex.          Information contained herein shall not be disclosed to others,          reproduced or used for any other purpose except as          authorized in writing by an authorized official of Volex Asia.</small>
DATE : N.A.	DATE : N.A.	DATE : 23/05/15	DATE : 23/05/15	DATE : 15/05/15	

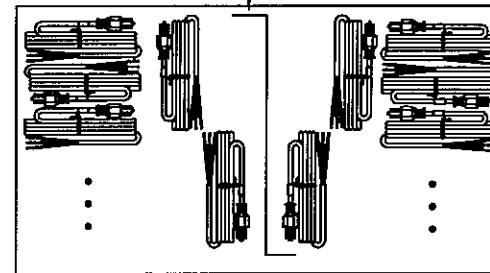
DRAWING NUMBER :

1103317



**PACKAGING INSTRUCTION**

1. 2 COMPARTMENTS PER CARTON, 40 PCS PER COMPARTMENT.
2. PLUG'S DIRECTION TO BE IN ALTERNATE ARRANGEMENT WHEN PACKING.
3. PACKAGING : 80 PCS PER CARTON.



**NOTE :**

1.) ALL DIMENSIONS IN mm.

3	CARTON PAPER 415X245MM	901023	0.0125
2	CARTON PAPER 550X305MM	901024	0.025
1	LONG CARTON 560X330X250MM	901011	0.0125
S/N	DESCRIPTION	ITEM NUMBER	QTY

REVISION	K	TITLE :  PACKAGING SPEC.
PAGE	2/2	
SCALE	N.T.S.	
REFERENCE :		<b><i>Volex (Asia) Pte Ltd</i></b>
DESCRIPTION : CARTON BOX		
<small>Confidential property of Volex. Information contained herein shall not be disclosed to others, reproduced or used for any other purposes except as authorized in writing by an authorized official of Volex Asia.</small>		

## X-ON Electronics

Largest Supplier of Electrical and Electronic Components

*Click to view similar products for [AC Power Leads](#) category:*

*Click to view products by [Volex](#) manufacturer:*

Other Similar products are found below :

[62500-1774](#) [1300000023](#) [312033-01](#) [YP-61+YC12](#) [P28818-M2](#) [YP21A+YC13](#) [FTP-629Y603](#) [1702002600](#) [1700001947](#) [J2014004L001-CC](#)  
[SHELF](#) [IL13-EU1-H05-3100-300-S](#) [P28976-M45](#) [BB-3271V86](#) [W-98452](#) [W-98453](#) [MWOC-PCA-3-3-2](#) [P29844-M5](#) [P29844-M10](#) [3-100-](#)  
[354](#) [W-99245](#) [W-99246](#) [W-99249](#) [W-99251](#) [W-99252](#) [W-99253](#) [W-99254](#) [W-99257](#) [W-99260](#) [W-99261](#) [W-99262](#) [W-99265](#) [W-99267](#) [W-](#)  
[99269](#) [W-99270](#) [W-99272](#) [W-99280](#) [W-99282](#) [S144720002](#) [S002020062](#) [S007220315](#) [S007220344](#) [S007220345](#) [S007220303](#) [S007220307](#)  
[P28818-M6](#) [1019123](#) [387005324](#) [59903000000](#) [VL-0136-14-200](#) [387007040](#)