


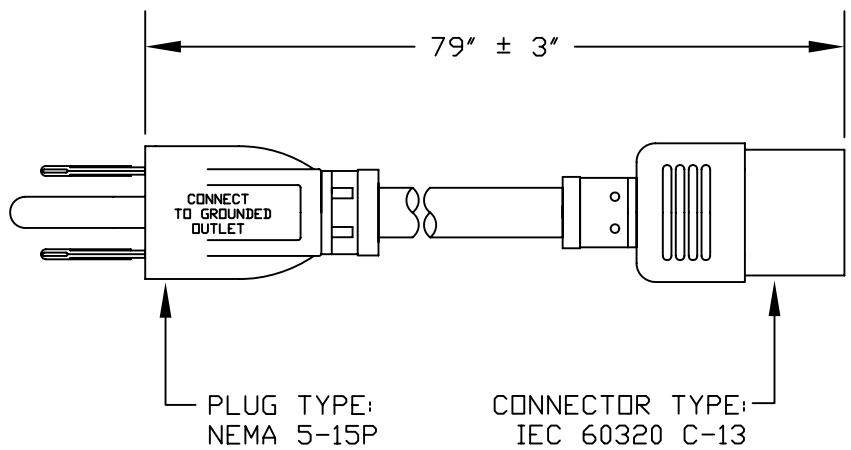
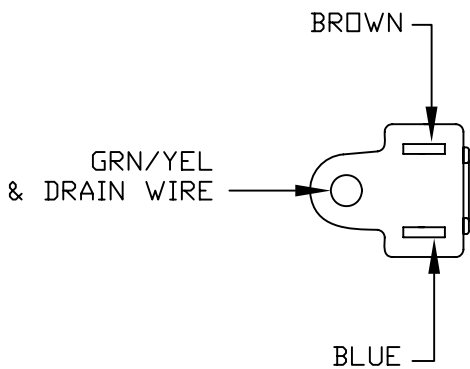
VOLEX

GROUP

Standard Cord Details: 17604 10 B1

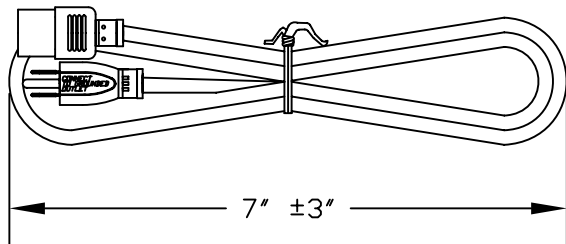


Specifications	
Certifications	
Part Number	17604 10 B1
Connector Type	C13
Plug Type	5-15P
Category	Plastic
Application	Detachable
Plug Catalog No.	PS204
Connector Catalog No.	386A
Cable	SJT AWG 14x3 (Shielded)
Jacket Color	black
Length in Feet	6'7
Length in Meters	2
Temperature Rating	60 C
Packaging Units Per Carton	H-50,H-25
Color Coding	International
Nominal OD in Inches	0.39
Nominal OD in Millimeters	9.91



VOLEX RESERVES THE RIGHT TO ALTER NON-CRITICAL DIMENSIONS WITHOUT NOTICE.

PACKAGING: FOLD & TIE



NOTES:

- 1) CORDAGE: 14/3 SJT, FOIL WIRE, 60°C, BLACK
- 2) APPROVALS:
- 3) RATING: 15 AMP/125 VOLTS
- 4) FLAME RATING : FT2
- 5) CORDAGE O.D. : .402 (REF.)
- 6) DRAIN WIRE CONNECTED TO MOLD ONLY. DRAIN WIRE I EDGE PRIOR TO MOLDING
- 7) PACKAGING: 50 PIECES/CAR
- 8) ALL DIMENSIONS IN inches

1	C.U.D - NEW RE
REV	DES



FORM IN71-07 REV.A

- Indianapolis, IN
- Conover, N.C.
- Freemont, CA
- Aguascalientes, MX
- Tijuana, Mexico
- Hermosillo, MX
- Clinton, AR
- Kanata, Canada

Proprietary Notice:

This document is the property of Volex Incorporated. The information contained herein is not to be disclosed to anyone without the express written consent of Volex Inc.

MATERIAL:
PLUG: PVC, BLACK
JACKET: PVC, BLACK

FINISH:
JACKET: SMOOTH

SCALE:
NOT TO SCALE

TOLERANCE UNLESS OTHERWISE SPECIFIED
.XXX ± .005
.XX ± .02
.X ± .03
FRACT. ± 1/32
ANGULAR ± 1/2°

ITEM DESCRIPTION
CORDS
DETACHABLE

APPROVED

STC

PART NO.

X-ON Electronics

Largest Supplier of Electrical and Electronic Components

Click to view similar products for [AC Power Leads](#) category:

Click to view products by [Volex](#) manufacturer:

Other Similar products are found below :

[1300000023](#) [312033-01](#) [YP-61+YC12](#) [P28818-M2](#) [YP21A+YC13](#) [FTP-629Y603](#) [1702002600](#) [1700001947](#) [J2014004L001-CC SHELF](#)
[IL13-EU1-H05-3100-300-S](#) [P28976-M45](#) [BB-3271V86](#) [W-98452](#) [W-98453](#) [MWOC-PCA-3-3-2](#) [P29844-M5](#) [P29844-M10](#) [3-100-354](#) [W-](#)
[99245](#) [W-99246](#) [W-99249](#) [W-99251](#) [W-99252](#) [W-99253](#) [W-99254](#) [W-99257](#) [W-99260](#) [W-99261](#) [W-99262](#) [W-99265](#) [W-99267](#) [W-99269](#)
[W-99270](#) [W-99272](#) [W-99280](#) [W-99282](#) [S144720002](#) [S002020062](#) [S007220315](#) [S007220344](#) [S007220345](#) [S007220303](#) [S007220307](#)
[P28818-M6](#) [1019123](#) [387005324](#) [59903000000](#) [VL-0136-14-200](#) [387007040](#) [387006821](#)