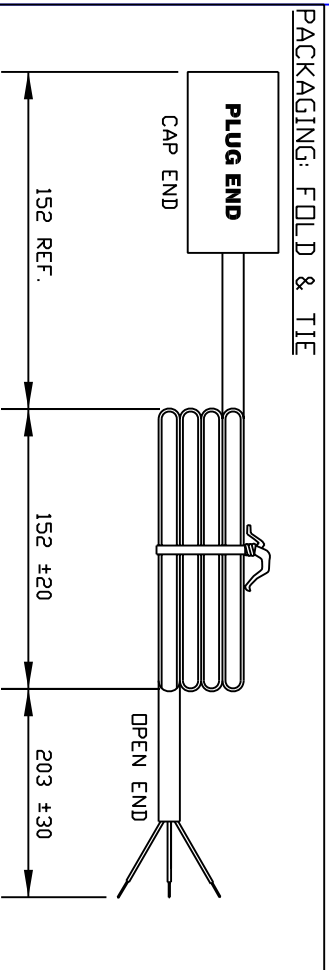


VOLEX RESERVES THE RIGHT TO ALTER NON-CRITICAL DIMENSIONS WITHOUT NOTICE.



PACKAGING: FOLD & TIE

- NOTES:**
- 1) CORDAGE: 18/3, SJT, 60°C, BLACK, LEAD FREE, FOIL SHIELDED WITH DRAIN WIRE.
 - 2) APPROVALS:
 - 3) RATING: 10 AMP/125 VOLTS
 - 4) FLAME RATING : FT2
 - 5) DRAIN WIRE CONNECTED TO GROUND PIN OF PLUG PRIOR TO MOLDING.
 - 6) PACKAGING: 50 PIECES/CARTON
 - 7) ALL DIMENSIONS IN MILLIMETERS.

REV	DESCRIPTION	DATE
1	C.U.D - NEW RELEASE	9/5/07
2	REDRAWN TO SHOW CHINESE MANUFACTURED CORD	12/3/07

SCALE:	ECD:	ITEM DESCRIPTION
NOT TO SCALE	N/A	CORDSET - NORTH AMERICAN POWER SUPPLY CORD (9' 10")

TOLERANCE UNLESS OTHERWISE SPECIFIED	APPROVED	DRAWN BY	DATE:
.XXX ± .005 .XX ± .02 .X ± .03 FRACT. ± 1/32 ANGULAR ± 1/2°	STC	STC	9/5/07

FORM IN71-07 REV.A

Proprietary Notice: This document is the property of Volex Incorporated. The information contained herein is not to be disclosed to anyone without the express written consent of Volex Inc.

MATERIAL:	FINISH:
<input checked="" type="checkbox"/> Indianapolis, IN <input type="checkbox"/> Conover, N.C. <input type="checkbox"/> Freemont, CA <input type="checkbox"/> Aguascalientes, MX <input type="checkbox"/> Tijuana, Mexico <input type="checkbox"/> Hermosillo, MX <input type="checkbox"/> Clinton, AR <input type="checkbox"/> Kanato, Canada	JACKET: SMOOTH LEAD FREE

SCALE:	ECD:	ITEM DESCRIPTION
NOT TO SCALE	N/A	CORDSET - NORTH AMERICAN POWER SUPPLY CORD (9' 10")

TOLERANCE UNLESS OTHERWISE SPECIFIED	APPROVED	DRAWN BY	DATE:
.XXX ± .005 .XX ± .02 .X ± .03 FRACT. ± 1/32 ANGULAR ± 1/2°	STC	STC	9/5/07

17613 10 C3

X-ON Electronics

Largest Supplier of Electrical and Electronic Components

Click to view similar products for [AC Power Leads](#) category:

Click to view products by [Volex](#) manufacturer:

Other Similar products are found below :

[62500-1774](#) [1300000023](#) [312033-01](#) [YP-61+YC12](#) [P28818-M2](#) [YP21A+YC13](#) [FTP-629Y603](#) [1702002600](#) [1700001947](#) [J2014004L001-CC](#)
[SHELF](#) [IL13-EU1-H05-3100-300-S](#) [P28976-M45](#) [BB-3271V86](#) [W-98452](#) [W-98453](#) [MWOC-PCA-3-3-2](#) [P29844-M5](#) [P29844-M10](#) [3-100-](#)
[354](#) [W-99245](#) [W-99246](#) [W-99249](#) [W-99251](#) [W-99252](#) [W-99253](#) [W-99254](#) [W-99257](#) [W-99260](#) [W-99261](#) [W-99262](#) [W-99265](#) [W-99267](#) [W-](#)
[99269](#) [W-99270](#) [W-99272](#) [W-99280](#) [W-99282](#) [S144720002](#) [S002020062](#) [S007220315](#) [S007220344](#) [S007220345](#) [S007220303](#) [S007220307](#)
[P28818-M6](#) [1019123](#) [387005324](#) [59903000000](#) [VL-0136-14-200](#) [387007040](#)