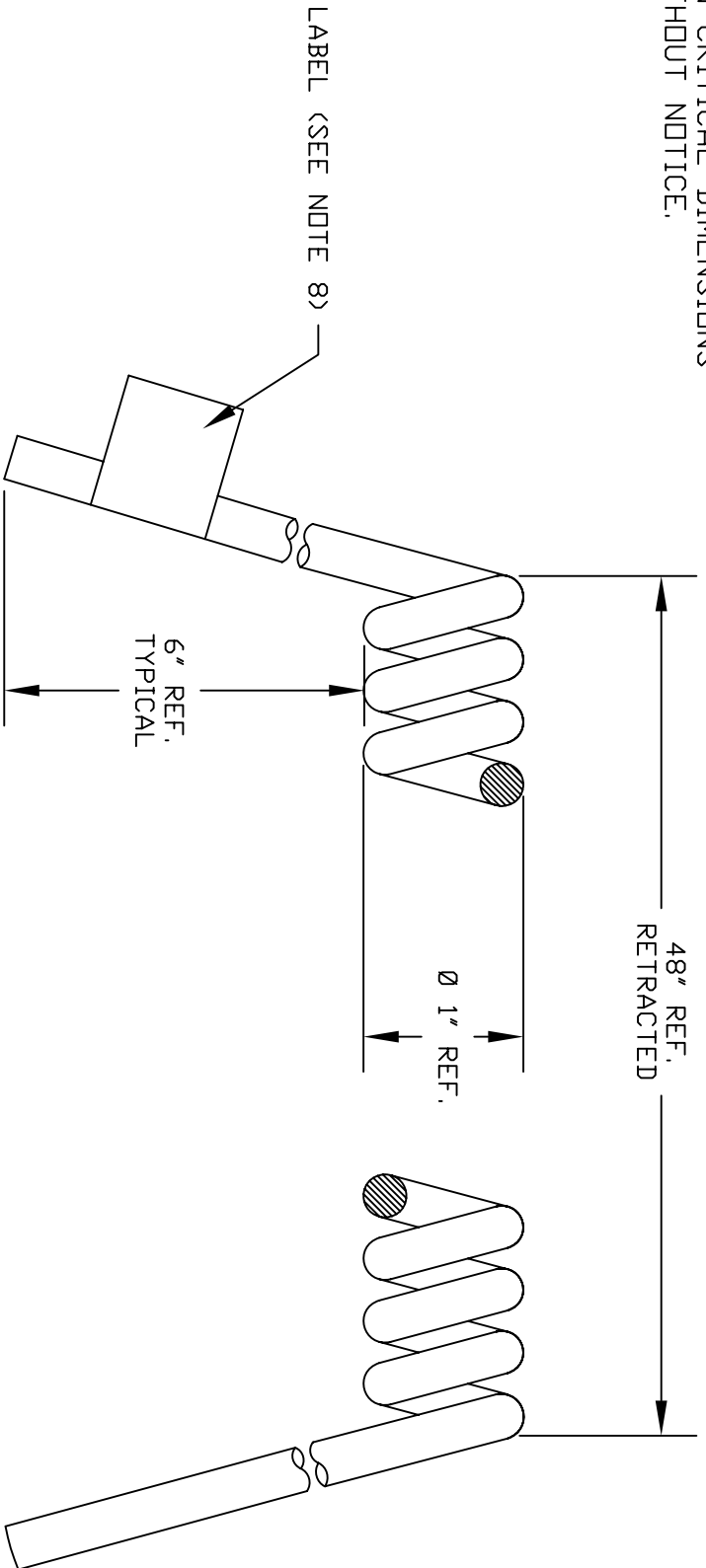


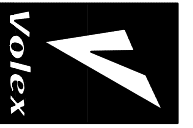
VOLEX RESERVES THE RIGHT TO ALTER NON-CRITICAL DIMENSIONS WITHOUT NOTICE.



NOTES

- 1) CORDAGE: 18/3 SVD, 60°C, BLACK OUTER JACKET
- 2) INSULATED CONDUCTOR INSULATION COLORS WILL BE BLACK, WHITE AND GREEN.
- 3) APPROVALS: UL/CSA
- 4) FLAME RATING: FT2
- 5) CORDAGE D.D.: .275" REF.
- 6) 25 PCS/CARTON
- 7) ALL DIMENSIONS IN INCHES UNLESS OTHERWISE NOTED.
- 8) CORD SET LABEL WILL HAVE VOLEX LOGO AND PART NUMBER.

REV	DESCRIPTION	DATE
3	CHANGE CARTON QTY (WAS 30)	9/6/07
2	ADDED CORD LABEL	8/16/07
1	C.U.D - FIRST ISSUE	8/9/07



CUD

- Indianapolis, IN
- Conover, N.C.
- Freemont, CA
- Aguascalientes, MX
- Tijuana, Mexico
- Hermosillo, MX
- Clinton, AR
- Kanata, Canada

Proprietary Notice:

This document is the property of Volex Incorporated. The information contained herein is not to be disclosed to anyone without the express written consent of Volex Inc.

MATERIAL:
 JACKET: RUBBER
 COLDER: BLACK
FINISH:
 JACKET: SMOOTH

SCALE:	ECD:
NDT TO SCALE	N/A

TOLERANCE UNLESS OTHERWISE SPECIFIED
 .XXX ± .005
 .XX ± .02
 .X ± .03
 FRACT. ± 1/32
 ANGULAR ± 1/2°

APPROVED	DRAWN BY	DATE:
STC	STC	8/9/07

ITEM DESCRIPTION
 CORDSET - NORTH AMERICAN RETRACTILE (4')

PART NO.: 6479

X-ON Electronics

Largest Supplier of Electrical and Electronic Components

Click to view similar products for [Multi-Conductor Cables](#) category:

Click to view products by [Volex](#) manufacturer:

Other Similar products are found below :

[8916-GRY-100](#) [8917-BLK-100](#) [8918-GRN/YEL-100](#) [8920-BRN-1000](#) [8920-RED-1000](#) [89907-LT-DEC/GRY-500](#) [CR3909-000](#) [CR3927-000](#) [01342.35T.01](#) [01364.35T.01](#) [CS2885-000](#) [CS8782-000](#) [CS9912-000](#) [6200UE-NAT-U1000](#) [CTC-0062-20-9/5-9](#) [CTC-0062-22-9/5-9](#) [6304FE-877-U500](#) [6309UE-877-1000](#) [6320UE-NAT-U1000](#) [644833-000](#) [6502FE 8771000](#) [6504UE-877-U1000](#) [CW9530-000](#) [CX6543-000](#) [CXA-0066-20-4-9CS2973](#) [CXA-0078-16-1-9CS2405](#) [CXA-0078-22-4-9CS2405](#) [CXA-0078-24-4-9CS2405](#) [CXA-0140-16-6/9-9CS2405](#) [CY0660-000](#) [706/2R-BLACK-EACH](#) [720451-000](#) [730859-000](#) [MCC-USB-4-250](#) [752687-000](#) [768146-000](#) [773159-000](#) [7934A-BLK-1000](#) [8125-CHR-100](#) [8164-CHR-1000](#) [820457-000](#) [8205-CHR-1000](#) [8240-BLK-U1000](#) [82723-NAT-1000](#) [82907-NAT-500](#) [83003-YEL-500](#) [83005-WHT-500](#) [83006-DK-GRN-100](#) [83008-WHT-1000](#) [83009-BLK-100](#)