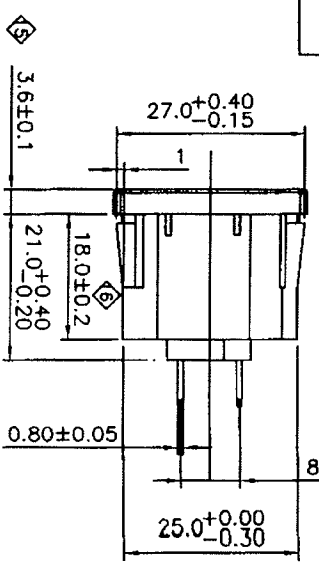
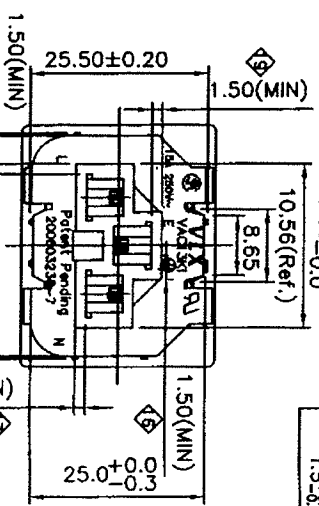
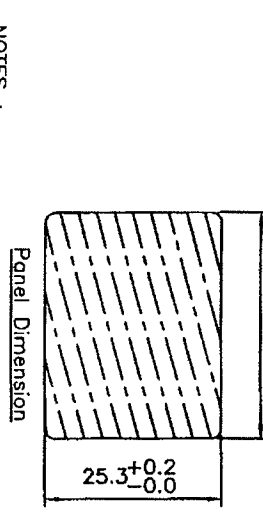
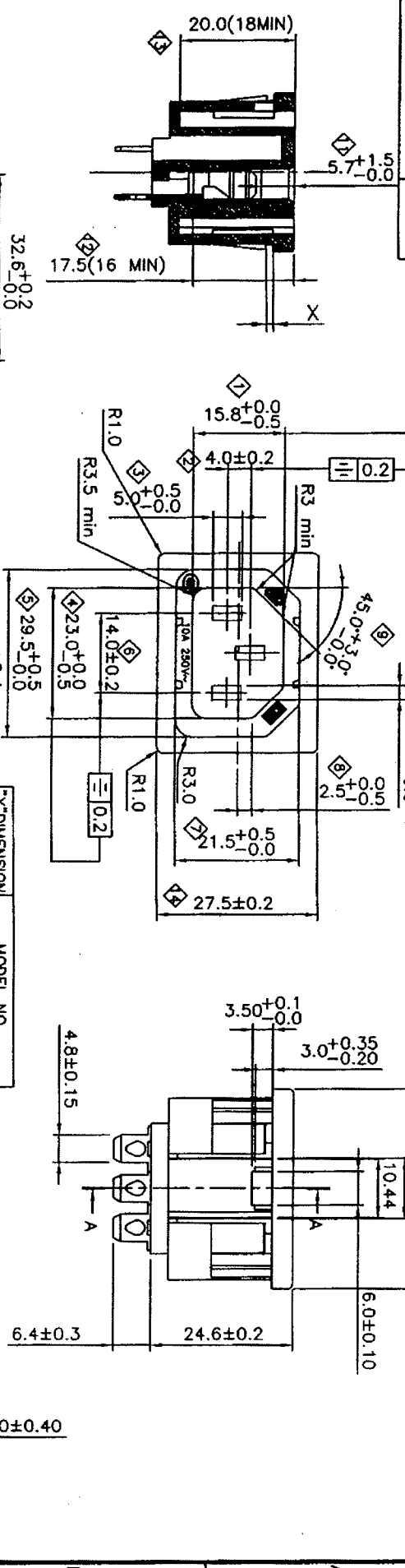


DRAWING NUMBER : MP-0085  
 REVISION : A

# ENGINEERING DETAILS



*X-DIMENSION	MODEL NO.
1.5±0.05	VAC13KI

- NOTES :**
1. ALL DIMENSION IN MM.
  2. GENERAL TOLERANCE, UNLESS OTHERWISE SPECIFIED :  
 LINEAR : XX = ±0.2      ANGULAR : X = ±5°  
           : XXX = ±0.13      : X.X = ±0.5°  
           : XXXX = ±0.050
  3. CRITICAL DIMENSIONS, WHERE Y IS IN NUMERICAL DIGITS.
  4. CRK POINTS, WHERE Z IS IN ALPHABETICAL ORDER.
  5. SPO POINTS.
  6. MAX. 0.20MM ALLOWABLE PLASTICS FLASH ALL ROUND.
  7. MAX. 0.05MM ALLOWABLE METALLIC BURR ALL ROUND.
  8. EVERY LOT MUST COME WITH COC DECLARING THE SUPPLIER AND TYPE NUMBER OF THE MATERIAL USED.

**TABLE**

ITEM NO.	COLOUR
6900371-W033	BLUE
6900370-W033	BLACK

MATERIAL SPECIFICATION (CONTACTS)		MATERIAL SPECIFICATION	
MATERIAL	TIN PLATED BRASS	MATERIAL	PC
MATERIAL No.	C2880	COLOR	REFER TO TABLE
ELONGATION	30%	FINISHING	
TEMPERING		MATERIAL No.	PC-945
TENSILE STRENGTH	36~45kgf/mm <sup>2</sup>	UL LICENSE No.	E161759
HARDNESS VALUE	1/2H	FLAMMABILITY	UL94V-0
PLATING THICKNESS	3~5um	SUPPLIER	GE PLASTICS GLOBAL

**DRAWN :** XIA YX    **REV** ECR    **BY** XIA    **DATE** 04/07/07

**RELEASED :** 04/07/07    **REV** A    **IMM**    **DATE** 04/07/07

**CHECKED :** *Druming*    **DATE** 04/07/07

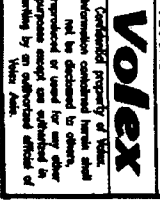
**APPROVED :** *Wang*    **DATE** 04/07/07

**ITEM NO. :**    **FILENAME :** F:\DATA\ENGR6

**REFER TO TABLE**    **W0014\COMPONENT\MP-0085**

**SCALE :** 1 : 1    **PROJ. :** THIRD ANGLE    **PAGE :** 2/3

**TITLE :** VAC13KI INLET



## X-ON Electronics

Largest Supplier of Electrical and Electronic Components

*Click to view similar products for [AC Power Entry Modules](#) category:*

*Click to view products by [Volex](#) manufacturer:*

Other Similar products are found below :

[0098.0050](#) [6167.0002](#) [6609100-2](#) [7-6609955-2](#) [FKI2-50-6/M5](#) [FN361-6-06](#) [FN389-4-22](#) [FN9226B-6-02](#) [FN9233S1-10-06](#) [FN9233S1-8-06](#)  
[FN9233S1B-8-06](#) [FN9233S1R-1-06](#) [FN9233S1R-12-06](#) [FN9233SB-1-06](#) [FN9233SB-12-06](#) [FN9233SB-8-06](#) [FN9233SR-10-06](#) [FN9244B-15-06HI](#) [FN9244EB-3-06](#) [FN9244EB-8-06](#) [FN9244ER-15-06](#) [FN9244ER-8-06](#) [FN9244ES1-8-06](#) [FN9244ESB-8-06](#) [FN9244R-12-06](#)  
[FN9244S1-12-06](#) [FN9244S1R-3-06](#) [FN9244SB-8-06](#) [FN9244SR-6-06](#) [FN9244U-3-06](#) [FN9244U-8-06](#) [8-6609940-2](#) [PE00SSSXB](#) [Fuse-H-EUR-1](#) [Fuse-H-USA-1](#) [PM00XD000](#) [A-0701-HT-H](#) [15EJMS8](#) [1-6609941-2](#) [200JM6-2](#) [CA121003-6](#) [SK-1015\(F1-5\)](#) [161-R3015-E](#) [1-6609153-2](#) [FN323-1-05](#) [FN9233B-8-06](#) [FN9233EB-1-06](#) [FN9233ES1R-10-06](#) [FN9233R-12-06](#) [FN9233S-10-06](#)