



LABC7-6V Charger

6V Lead-Acid Battery Smart Charger

INPUT SPECIFICATIONS

All specifications are typical at nominal input, full load.

INPUT SPECIFICATIONS

Input Voltage	AC 100 – 264VAC
Input Frequency	50 – 60Hz
Protection	Reverse Polarity, short circuit
Battery Sizes	6V volt SLA, VRLA, Gel, AGM or flooded



OUTPUT SPECIFICATIONS 6V /12V

Charge Voltage Limited	7.4V
Float Charge Voltage	6.8V
Charging Current	1.2 amp
Battery Types	All types 6V lead acid batteries

Charging Algorithm Auto 3 Stages

Constant Current	Stage 1 Constant current 1.2 amp
Constant Voltage	Stage 2 Constant voltage 7.4V
Floating	Stage 3 Float charge 6.8V

LED Indications	Pwr on, no battery connected –Green Charging – Red Charged - Flashing Green Charge/Float charging – Green Dim Reverse polarity – Red and Green flashing
-----------------	---

GENERAL SPECIFICATIONS

MTBF(Calculated)	30,000 Calculated hours at 25°C by MIL-HDBK-217F
Hi pot, ESD	3,000V, 1 minute ESD 8000V

FEATURES

- UNIVERSAL INPUT (AC100-240V)
- CONSTANT CURRENT/VOLTAGE,
- REVERSE POLARITY INDICATOR
- SHORT CIRCUIT PROTECTION
- 3 STAGE AUTO CHARGING

ENVIRONMENTAL SPECIFICATIONS

Operating Temperature	-10°C~+40°C
Storage Temperature	-40°C ~ +70°C
Cooling.	Convection
Operating Humidity	20 – 80% Rh
Storage Humidity	10 – 90% Rh

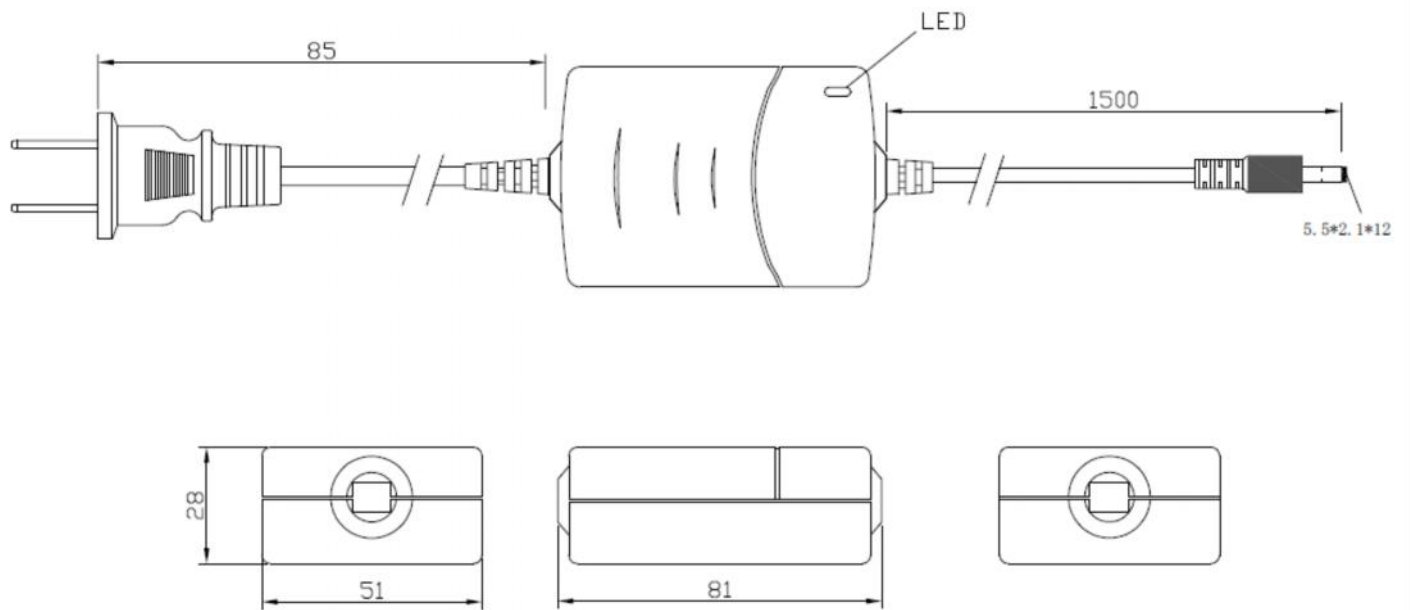
MECHANICAL SPECIFICATIONS

Case Dimension	L81 x W51 x H28(mm)
Input Configuration	Fixed cord 2 pin USA
Output Connector	5.5 x 2.1 x 11.0 mm C+
Weight	150 grams



LABC7-6V Charger

Mechanical Drawing:



X-ON Electronics

Largest Supplier of Electrical and Electronic Components

Click to view similar products for [volgen manufacturer](#):

Other Similar products are found below :

[SX150U-12S](#) [SX15U-05S](#) [MT5-2412WI](#) [VSI-3.3S2R0FMA](#) [VSI-5.0S2R0FMA](#) [VHV12-1.0K1500P](#) [MT10A-2412SI-W](#) [VHV12-2.0K1000P](#)
[VHV12-1.0K2000P](#) [VY05-12S12L](#) [KTPS65-2427DT-3P-VI-C-P1](#) [LABC7-6V](#) [PM-500A33](#) [PM-500A120](#) [KRS10F-12](#) [KTPS50-1533DT-3P-](#)
[VI-C-P1](#) [KTPS90-2437](#) [KTPS36-0940DT-3P-VI-C-P1](#) [KTPS50-2421DT-3P-VI-C-P1](#) [PM-500A50](#)