

MORE AT [WWW.VOLTPOLSKA.PL](http://WWW.VOLTPOLSKA.PL)

# MANUAL

PURE SINE WAVE VOLTAGE INVERTER

12V DC to 230V AC

24V DC to 230V AC

Models in series: SINUS PLUS 1500, SINUS PLUS 3000, SINUS PLUS 4000



**VOLT**  
**POLSKA**

**VOLT POLSKA SP. Z O.O.**

**ul. Grunwaldzka 76**

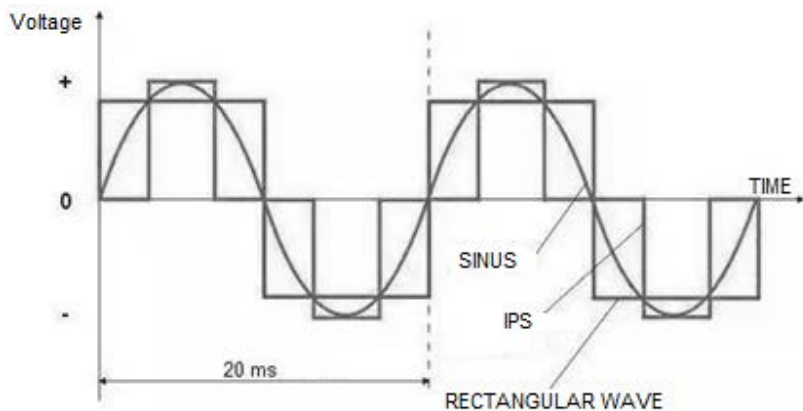
**81-771 Sopot**

(58) 341-05-06 | (58) 341-38-80 | (22) 100-42-99

## INTRODUCTION

**SINUS PLUS** voltage inverter should be used to power electrical appliances requiring 230V from 12V or 24V (depending on the selected voltage version) batteries and automotive installations. It can be successfully used as an emergency power source for devices requiring continuous power supply, such as furnaces or CO pumps. The distinguishing feature of the **SINUS PLUS** inverters from the classic simple AC/DC inverters is pure sine wave sinusoidal alternating output voltage identical to that present in mains in building. **SINUS PLUS** inverters can be used as power supply for devices equipped with electric motors and transformers, such as power tools, pumps or low-power household appliances. Simple and inexpensive inverters mostly produce close to rectangular voltage, sometimes mistakenly called approximated sinus wave. This kind of voltage signal is not suitable for inductive or capacitive devices and may cause damage. Using our **SINUS PLUS** inverters you can be 100% sure that output voltage is pure sine wave.

Main feature that differentiates **SINUS PLUS** inverters from standard SINUS inverters is capability to work in solar power supply circuits. SINUS PLUS can work with voltage that is produced by solar controller and passed through connected battery. It's perfect solution for campers, camping houses and foodtrucks etc.



## GENERAL INFORMATION ON SAFETY

THIS MANUAL IS INTEGRAL PART OF DEVICE. DON'T THROW IT AWAY, KEEP IT IN EASILY ACCESSIBLE PLACE AND GET KNOWN WITH IT'S CONTENT BEFORE FIRST STARTUP OF THE INVERTER.

- Don't expose inverter to direct rain, snow, dust, chemicals, oils etc.
- Don't cover the ventilation openings. Inverter should be installed in an easily accessible location with a minimum 30 cm of free space around the enclosure to ensure free circulation of the air, otherwise the unit may be exposed to overheating (minimum air flow rate is 145 CFM).
- To reduce the risk of fire or electric shock make sure that the existing wiring is in good condition and the wires have the correct parameters (cross-section, length etc.) Don't operate inverter with damaged or incomplete wiring.
- In the event of fire, use a fire extinguisher designed to put out fire on live electrical equipment in accordance with its operating instructions.
- This device contains components that may cause sparks. To avoid fire and / or explosion, do not install device near flammable materials, or in places where are non-fire devices. This includes any location where petrol powered machines, fuel tanks, connectors, binders, or other connections between fuel system components are stored.
- Do not open / remove housing from the inverter. The appliance does not contain any maintenance parts. Attempting to repair may result in electric shock or fire. Capacitors inside the device remain charged when the power is disconnected.
- Don't connect continuous and instantaneous loads greater than those specified in the unit's operating instructions.
- The inverter must be powered by a rechargeable battery or automotive electrical system (installation must have rechargeable battery)
- Don't charge battery (with rectifier, pulse generator, solar controller etc.) when inverter is connected and powered by the same battery, this type of connection may damage inverter and will invalidate the warranty (we recommend sinusPRO series models for this type of usage)

## INSTALLATION OF THE DEVICE

Please observe the warnings and notes in the previous section during process of installation. In order to connect the device, first connect wires to the inverter and then according to the polarity (+ and -) connect them directly to the battery. Correct polarity of the input is very important and necessary, because reverse polarity may damage the inverter and void the warranty. After proper connection press main starting button for 2-3 second to switch on the inverter. To switch it off press button again for 2-3 seconds.

When installing the inverter, be sure to choose right battery (type and capacity) for direct connection of the device. Battery that is overloaded will have a much higher capacity than the one supplied by the manufacturer and will be instantly discharged or even damaged. We recommend using lead-acid batteries for continuous operation such as GEL, AGM or good quality acid deep discharge batteries rather than regular starter batteries.

## TECHNICAL PARAMETERS

All SINUS inverters come with a range of safety features to ensure safe and trouble-free operation.

- Short-circuit protection  
Thermal protection – switches off the device after about 60 - 70C
- Undervoltage protection – switches off the device if the input voltage is too low (discharge of the battery)
- Overvoltage protection – switches off the device when the overheated temperature is too high
- Overload protection – turns off the device when it is overloaded for more than dozen of seconds
- Idle load – 300 mA
- Control panel for switching ON/OFF in package with inverter

### SINUS PLUS 1500

<b>Continuous power</b>	1000 W	1000 W
<b>Instantaneous (peak) power</b>	1500 W	1500 W
<b>Input voltage</b>	10.5 V - 15.5 V	21 V - 31 V
<b>Output voltage</b>	225 V - 235 V	225 V - 235 V
<b>Output voltage frequency</b>	50 Hz (+- 2 Hz)	50 Hz (+- 2 Hz)
<b>Efficiency at full load</b>	> 90 %	> 90 %
<b>Working temperature</b>	0-40 C	0-40 C

### SINUS PLUS 3000

<b>Continuous power</b>	800 W	800 W
<b>Instantaneous (peak) power</b>	1000 W	1000 W
<b>Input voltage</b>	10.5 V - 15.5 V	21 V - 31 V
<b>Output voltage</b>	225 V - 235 V	225 V - 235 V
<b>Output voltage frequency</b>	50 Hz (+- 2 Hz)	50 Hz (+- 2 Hz)
<b>Efficiency at full load</b>	> 92 %	> 92 %
<b>Working temperature</b>	0-40 C	0-40 C

### SINUS PLUS 4000

<b>Continuous power</b>	1000 W	1000 W
<b>Instantaneous (peak) power</b>	1500 W	1500 W
<b>Input voltage</b>	10.5 V - 15.5 V	21 V - 31 V
<b>Output voltage</b>	225 V - 235 V	225 V - 235 V
<b>Output voltage frequency</b>	50 Hz (+- 2 Hz)	50 Hz (+- 2 Hz)
<b>Efficiency at full load</b>	> 92 %	> 92 %
<b>Working temperature</b>	0-40 C	0-40 C

## WARRANTY CARD

<b>DEVICE TYPE</b>	
<b>SALE DATE</b>	
<b>BUYER'S DETAILS</b> (name etc.)	
<b>SELLER'S DETAILS</b> (company name etc.)	
<b>SERVICE INFO</b> (damage info etc.)	

1. The guarantee card is valid if it is signed by the seller and the buyer and has legibly filled boxes, no changes or deletions.
2. Volt Polska Sp. z o.o. ensures smooth operation of the device to which the Warranty Card is issued, only when the device is used according to the intended use, service manual or the owner's manual.
3. In the absence or non-signing of the warranty card, the document confirming the current warranty period is the purchase document (receipt or invoice).
4. The warranty period is 12 months for invoice sales and 24 months for sales on receipt.
5. After the warranty period VOLT POLSKA Sp. z o.o. will provide post warranty paid repairs.
6. Full service rules and warranty information can be found at [www.voltpolska.pl](http://www.voltpolska.pl).

**YOU WILL FIND WARRANTY FORM AT MANUFACTURERS WEBSITE. COMPLETING THIS FORM AND ATTACHING IT TO THE SHIPMENT MAKES WHOLE PROCES OF REPAIR MUCH FASTER.**



## X-ON Electronics

Largest Supplier of Electrical and Electronic Components

*Click to view similar products for [Power Inverters](#) category:*

*Click to view products by [VOLT POLSKA](#) manufacturer:*

Other Similar products are found below :

[PV-400FC](#) [PV550](#) [3SIP500012](#) [IPS-900 24V/230V](#) [SINUS600 24V](#) [PE-35](#) [PE-40](#) [PS-250](#) [3IPS100012](#) [TS-1500-224B](#) [ISI-500-148A](#) [TS-1000-224B](#) [TS400-124F](#) [TS200-112F](#) [TS400-224B](#) [TS-3000-112F](#) [TS200-224B](#) [TN-3000-124F](#) [TN-1500-248B](#) [IRC3\(10ft. Cable\)](#) [IPS-1000S 12V/230V ECO MODE](#) [IPS-1200S 24V/230V ECO MODE](#) [IPS-4000S 12V/230V ECO MODE](#) [IPS-800U 12V/230V](#) [3IPS030024](#) [3IPS40024](#) [3IPS050012](#) [SINUS-10000PRO 12V](#) [SINUS-850PRO 12V](#) [SINUSPRO-1000E](#) [3SP091512E](#) [3IPS100024](#) [3IPS500012](#) [3IPS500024](#) [3IPS651012](#) [3IPS651024](#) [3IPS912246](#) [3IPS912249](#) [RED-16 24/12V 16A](#) [RED-6 24/12V 6A](#) [DC-120 12/24V 4A](#) [DC PRO 200 24/12V 15A](#) [DC 200 24/12V 15A VER. 2](#) [DC PRO 400 24/12V 30A](#) [DC PRO 600 24/12V 45A](#) [3ZHP1LED34](#) [3ZHP1LED12](#) [3ZHP1LED24](#) [3SIP300012](#) [3SIP300024](#)