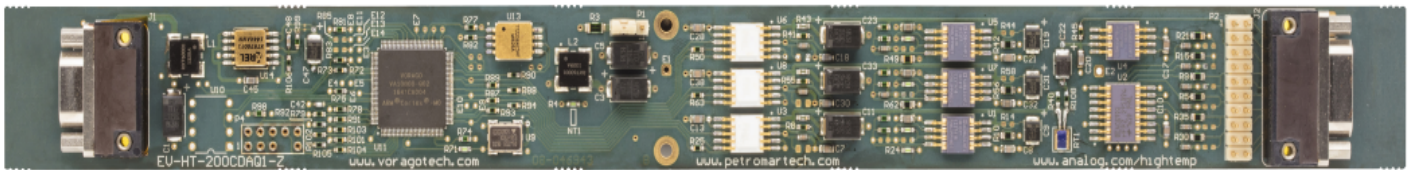


# VA10800 High Temperature Data Acquisition Evaluation and Reference Design Kit HT-DAB-1



MCU-based high temperature data acquisition system using 32-bit ARM<sup>®</sup> Cortex<sup>®</sup>-M0 processor. Suitable for rapid prototyping or as a reference design. Specified for 200<sup>°</sup>C operation.



## BOARD FEATURES

- Evaluation Board comprising of PCB and Board Support Package
  - All components and PCB rated and tested for 200<sup>°</sup>C operation
  - PCB aspect ratio suitable for downhole vessels
  - PCB dimensions – 1.0" x 11.5"
  - Micro D 15-S and D 21-S connectors
  - Three AD7981 16-bit, 600 kbps ADCs (one of the ADCs is multiplexed with eight input channels)
  - ADG798 multiplexer and ADR225 voltage reference
  - TTL UART communications
  - Boot flash, system clock and power supplies
  - 85dB SINAD using 2.5 V reference with no missing codes
  - ADC conversions down to 2.3 $\mu$ S for non-multiplexed channels and 10 $\mu$ S for multiplexed channels
  - 16 kbytes conversion result buffer
  - IDC header connector to facilitate easy probing
  - JTAG debug connector for MCU firmware programming

## SOFTWARE

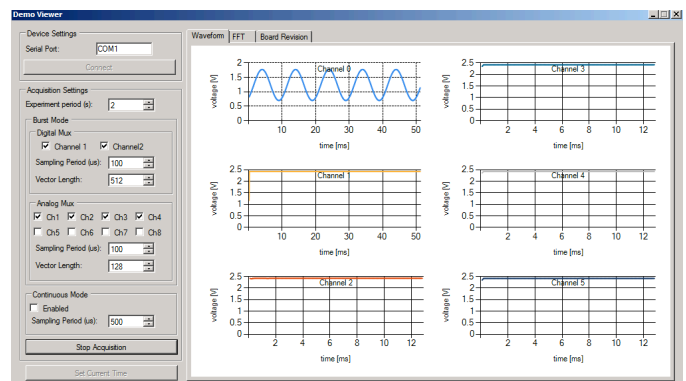
- Board Support Package (BSP) and Viewer software source code available
- VA10800 supported by Keil<sup>™</sup> MDK-ARM microcontroller software kit, IAR Systems Embedded Workbench, iSYSTEM winIDEA.
- Firmware built upon FreeRTOS operating system for simple incorporation of tasks

## KEY MCU FEATURES

- VA10800 32-bit ARM<sup>®</sup> Cortex<sup>®</sup>-M0 MCU
  - Manufactured with HARDSLIL<sup>®</sup> technology
  - Clock rate up to 50MHz
  - 32KB on-chip data SRAM
  - 128KB on-chip program memory SRAM
  - 24 general purpose counter / timers
  - 56 Dedicated general purpose I/O (GPIO) pins
  - 2 x UARTs
  - 3 SPIs (two master / slave, one master only)
  - 2 x I2Cs

## REFERENCE DESIGN SUPPORT

- PCB layout files
- VA10800 firmware source code
- PC data logging and display software (open source)
- Schematic diagram
- Download at <http://www.voragotech.com/products/htdab1>



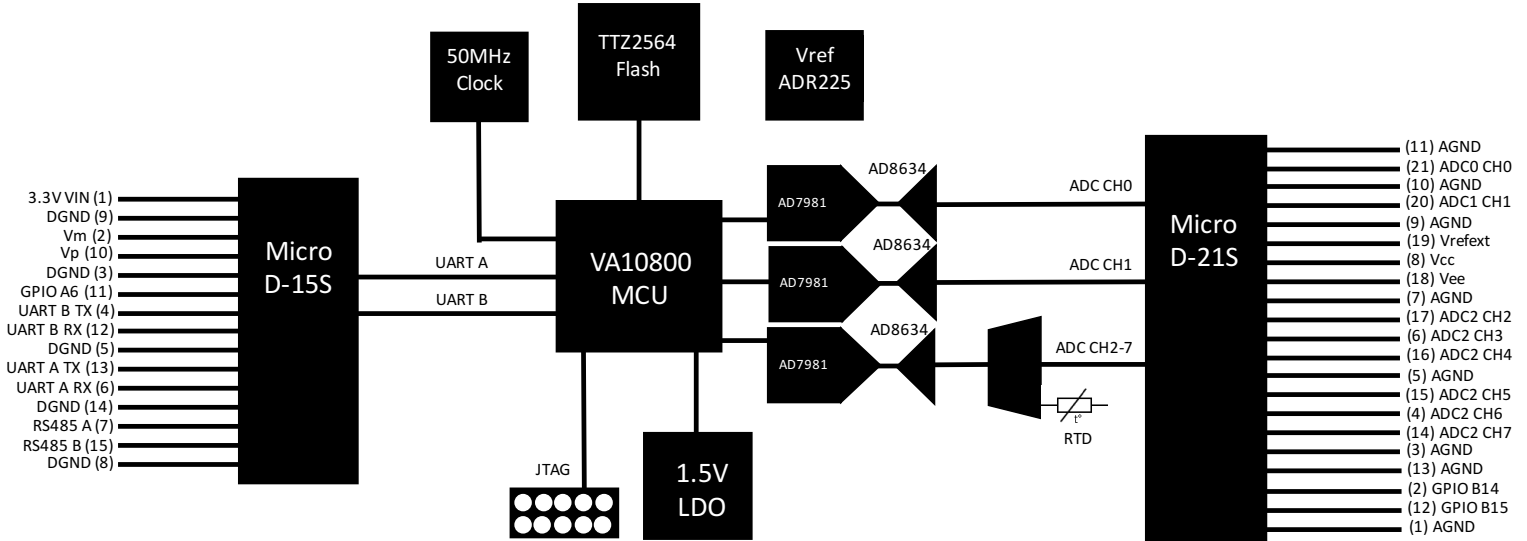
Data Capture and Analysis Software

For more information, contact below or visit our web site at [www.voragotech.com](http://www.voragotech.com)  
VORAGO Technologies | 1501 S MoPac Expressway, Suite 350, Austin, Texas, 78746 | [info@voragotech.com](mailto:info@voragotech.com)

## DEVELOPMENT BOARD ORDERING INFORMATION

Description	Part number	Features
Development Board	HT-DAB-1	VA10800 microcontroller based precision multi-channel analog sensor data acquisition and control system rated to 200 °C

## HT-DAB-1 DEVELOPMENT BOARD BLOCK DIAGRAM



## HT-DAB-1 POWER CHARACTERISTICS

Description	Voltage	Typical Operating Current (at 25 °C)	Lab Supply Current Limit Setting (Recommended)
Vdd	3.3V ± 10%	35mA (no external pin loading)	100mA
Vcc	5.0V ± 10%	6mA	50mA
Vee	-2.5V ± 10%	4mA	50mA

For more information, contact below or visit our web site at [www.voragotech.com](http://www.voragotech.com)  
 VORAGO Technologies | 1501 S MoPac Expressway, Suite 350, Austin, Texas, 78746 | [info@voragotech.com](mailto:info@voragotech.com)

## X-ON Electronics

Largest Supplier of Electrical and Electronic Components

*Click to view similar products for [Data Conversion IC Development Tools](#) category:*

*Click to view products by [Vorago](#) manufacturer:*

Other Similar products are found below :

[EVAL-AD5063EBZ](#) [EVAL-AD5422LFEBZ](#) [EVAL-AD7265EDZ](#) [EVAL-AD7641EDZ](#) [EVAL-AD7674EDZ](#) [EVAL-AD7719EBZ](#) [EVAL-AD7767-1EDZ](#) [EVAL-AD7995EBZ](#) [AD9114-DPG2-EBZ](#) [AD9211-200EBZ](#) [AD9251-20EBZ](#) [AD9251-65EBZ](#) [AD9255-125EBZ](#) [AD9284-250EBZ](#) [AD9613-170EBZ](#) [AD9627-125EBZ](#) [AD9629-20EBZ](#) [AD9709-EBZ](#) [AD9716-DPG2-EBZ](#) [AD9737A-EBZ](#) [AD9787-DPG2-EBZ](#) [AD9993-EBZ](#) [DAC8555EVM](#) [ADS5482EVM](#) [ADS8372EVM](#) [EVAL-AD5061EBZ](#) [EVAL-AD5062EBZ](#) [EVAL-AD5443-DBRDZ](#) [EVAL-AD5570SDZ](#) [EVAL-AD7450ASDZ](#) [EVAL-AD7677EDZ](#) [EVAL-AD7992EBZ](#) [EVAL-AD7994EBZ](#) [AD9119-MIX-EBZ](#) [AD9148-M5375-EBZ](#) [AD9204-80EBZ](#) [AD9233-125EBZ](#) [AD9265-105EBZ](#) [AD9265-80EBZ](#) [AD9608-125EBZ](#) [AD9629-80EBZ](#) [AD9648-125EBZ](#) [AD9649-20EBZ](#) [AD9650-80EBZ](#) [AD9765-EBZ](#) [AD9767-EBZ](#) [ADS8322EVM](#) [LM96080EB/NOPB](#) [EVAL-AD5445SDZ](#) [EVAL-AD5660EBZ](#)