

# VA108X0 Development Board REB1-VA10800, REB1-VA10820



MCU Development Board based on a 32-bit ARM® Cortex®-M0 processor and manufactured with the disruptive HARDSIL® technology offering superior operational lifetimes, leakage and latch-up immunity.

## OPTIONS

- REB1-VA10800 (to support VA10800 extreme temp. MCU)
- REB1-VA10820 (to support VA10820 rad-hard MCU)

## SOFTWARE

- Board Support Package (BSP)
  - Example software to demonstrate all peripherals
  - CMSIS compliant
- Keil™ MDK-ARM microcontroller software kit

## KEY MCU FEATURES

- VA108X0 32-bit ARM® Cortex®-M0 MCU
  - Manufactured with HARDSIL® technology
  - Clock rate up to 50MHz
  - 32KB on-chip data SRAM
  - 128KB on-chip program memory SRAM
  - 24 general purpose counter / timers
  - 56 Dedicated general purpose I/O (GPIO) pins
  - 2 UARTs
  - 3 SPIs (two master / slave, one master only)
  - I2C
  - On-chip EDAC and Scrub Engine (REB1-VA10820 only)

## BOARD FEATURES

- Development Board comprising of PCB and Board Support Package
  - PCB dimensions – 2.6" x 4.5"
  - 128KB boot SPI EEPROM
  - 3.3V and 1.5V regulators
  - On-board power distribution and monitoring
  - On-board clock generation (10MHz – 80MHz)
  - I2C-based temperature sensor
  - Power supplied through USB connector
  - Five LEDs: USB power, J-Link OB active, 3 for GPIO
  - Connectors with access to 39 GPIO
  - I2C and SPI PMOD compatible connectors
  - SPI-based 10-bit ADC
  - Segger J-Link OB

## APPLICATIONS

- Industrial
- Oil & gas
- Aerospace
- Automotive
- Space
- Medical
- Military



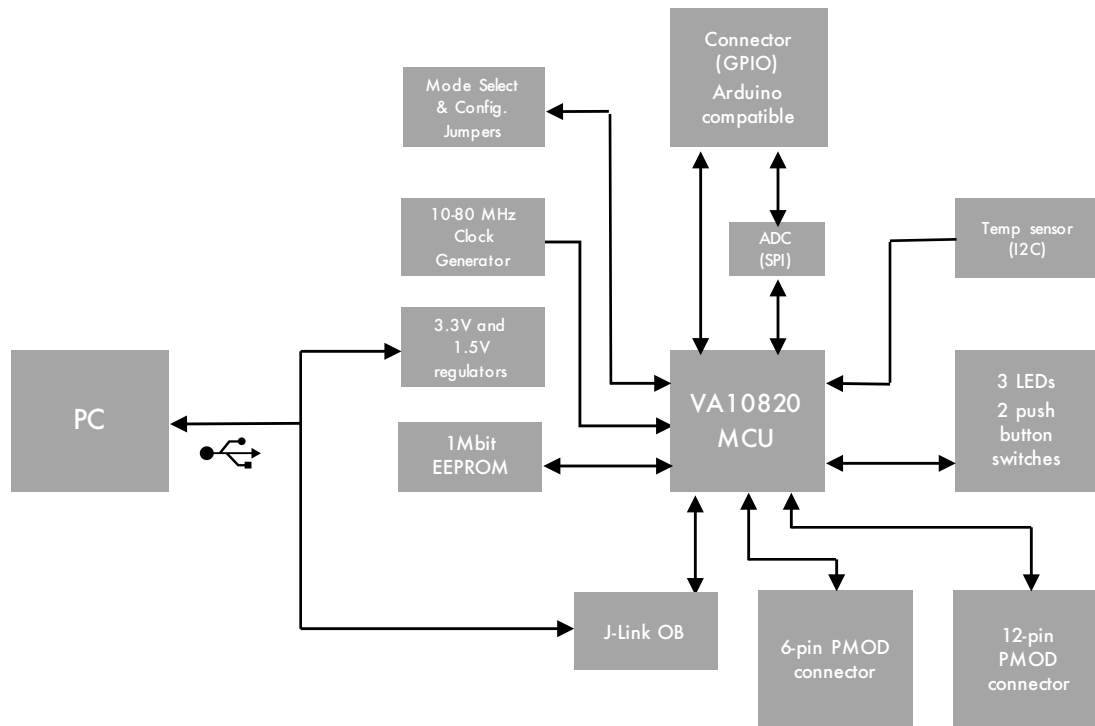
The REB1 board is intended for room temperature operation only (0°C to 70°C) and was not intended to be used in an oven

For more information, contact below or visit our web site at [www.voragotech.com](http://www.voragotech.com)  
VORAGO Technologies | 1501 S MoPac Expressway, Suite 350, Austin, Texas, 78746 | [info@voragotech.com](mailto:info@voragotech.com)

## DEVELOPMENT BOARD ORDERING INFORMATION

Description	Part number	Features
Development Board	REB1-VA10820	Supports VA10820 Radiation-hardened microcontroller
Development Board	REB1-VA10800	Supports VA10800 Extreme temperature microcontroller

## REB1-VA108X0 DEVELOPMENT BOARD BLOCK DIAGRAM



For more information, contact below or visit our web site at [www.voragotech.com](http://www.voragotech.com)  
 VORAGO Technologies | 1501 S MoPac Expressway, Suite 350, Austin, Texas, 78746 | [info@voragotech.com](mailto:info@voragotech.com)

## X-ON Electronics

Largest Supplier of Electrical and Electronic Components

*Click to view similar products for [Development Boards & Kits - ARM category](#):*

*Click to view products by [Vorago manufacturer](#):*

Other Similar products are found below :

[SAFETI-HSK-RM48](#) [PICOHOBBITFL](#) [CC-ACC-MMK-2443](#) [TWR-MC-FRDMKE02Z](#) [EVALSPEAR320CPU](#) [EVB-SCMIMX6SX](#)  
[MAX32600-KIT#](#) [TMDX570LS04HDK](#) [TXSD-SV70](#) [OM13080UL](#) [EVAL-ADUC7120QSPZ](#) [OM13082UL](#) [TXSD-SV71](#)  
[YGRPEACHNORMAL](#) [OM13076UL](#) [PICODWARFFL](#) [YR8A77450HA02BG](#) [3580](#) [32F3348DISCOVERY](#) [ATTINY1607](#) [CURIOSITY](#)  
[NANO](#) [PIC16F15376](#) [CURIOSITY NANO BOARD](#) [PIC18F47Q10](#) [CURIOSITY NANO](#) [VISIONSTK-6ULL V.2.0](#) [80-001428](#) [DEV-17717](#)  
[EAK00360](#) [YR0K77210B000BE](#) [RTK7EKA2L1S00001BE](#) [MAX32651-EVKIT#](#) [SLN-VIZN-IOT](#) [ETTUS USRP B200MINI](#) [USB-202](#)  
[MULTIFUNCTION DAQ DEVICE](#) [USB-205 MULTIFUNCTION DAQ DEVICE](#) [ALLTHINGSTALK LTE-M RAPID DEV. KIT](#) [LV18F V6](#)  
[DEVELOPMENT SYSTEM](#) [READY FOR AVR BOARD](#) [READY FOR PIC BOARD](#) [READY FOR PIC \(DIP28\)](#) [EVB-VF522R3](#)  
[AVRPLC16 V6 PLC SYSTEM](#) [MIKROLAB FOR AVR XL](#) [MIKROLAB FOR PIC L](#) [MINI-AT BOARD - 5V](#) [MINI-M4 FOR STELLARIS](#)  
[MOD-09.Z](#) [BUGGY + CLICKER 2 FOR PIC32MX + BLUETOOT](#) [1410](#) [LETS MAKE PROJECT PROGRAM. RELAY PIC](#) [LETS MAKE -](#)  
[VOICE CONTROLLED LIGHTS](#) [LPC-H2294](#)