

PA32KAS Evaluation System SEB2



MCU Development / Evaluation Board based on a 32-bit ARM® Cortex®-M0 Processor and Synch Burst SRAM memory. Manufactured with the disruptive HARDSIL® technology offering superior operational lifetimes, leakage and latch-up immunity.



KEY MCU FEATURES

- PA32KAS 32-bit ARM® Cortex®-M0 MCU
 - Manufactured with HARDSIL® technology
 - Clock rate up to 50MHz
 - 16KB on-chip data memory SRAM
 - 16KB on-chip program memory SRAM
 - 32 Counter / timers with extensive hardware and software triggering options
 - 32 dedicated GPIO pins
 - 2 UARTs, 2 SPIs
- System memory
 - 16KB boot SPI EEPROM
 - 36Mbit Synchronous Burst SRAM manufactured with HARDSIL® technology (part number SB036SB)
- Board features
 - On-board power distribution and monitoring
 - On-board clock generation (2MHz – 50MHz)
 - On-board temperature monitoring
 - Supply 5V through USB or external connector
 - Connector with access to 16 GPIO
 - Indicator LEDs
 - 3 for power indicators
 - 8 under GPIO control

SOFTWARE

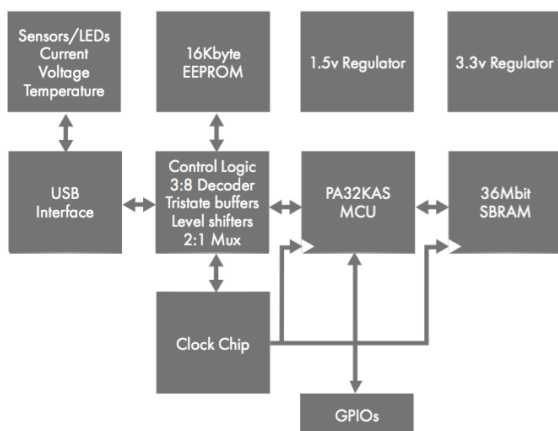
- Example software to demonstrate all peripherals
- Keil™ MDK-ARM microcontroller software kit

BOARD DIMENSIONS

- 2.5" x 3.5"

APPLICATIONS

- Industrial
- Oil & gas
- Aerospace
- Engine controls



For more information, contact below or visit our web site at www.voragotech.com

VORAGO Technologies | 1501 S MoPac Expressway, Suite 350, Austin, Texas, 78746 | info@voragotech.com

X-ON Electronics

Largest Supplier of Electrical and Electronic Components

Click to view similar products for [Development Boards & Kits - ARM category](#):

Click to view products by [Vorago manufacturer](#):

Other Similar products are found below :

[SAFETI-HSK-RM48](#) [PICOHOBBITFL](#) [CC-ACC-MMK-2443](#) [TWR-MC-FRDMKE02Z](#) [EVALSPEAR320CPU](#) [EVB-SCMIMX6SX](#)
[MAX32600-KIT#](#) [TMDX570LS04HDK](#) [TXSD-SV70](#) [OM13080UL](#) [EVAL-ADUC7120QSPZ](#) [OM13082UL](#) [TXSD-SV71](#)
[YGRPEACHNORMAL](#) [OM13076UL](#) [PICODWARFFL](#) [YR8A77450HA02BG](#) [3580](#) [32F3348DISCOVERY](#) [ATTINY1607](#) [CURIOSITY](#)
[NANO](#) [PIC16F15376](#) [CURIOSITY NANO BOARD](#) [PIC18F47Q10](#) [CURIOSITY NANO](#) [VISIONSTK-6ULL V.2.0](#) [80-001428](#) [DEV-17717](#)
[EAK00360](#) [YR0K77210B000BE](#) [RTK7EKA2L1S00001BE](#) [MAX32651-EVKIT#](#) [SLN-VIZN-IOT](#) [USB-202](#) [MULTIFUNCTION DAQ](#)
[DEVICE](#) [USB-205](#) [MULTIFUNCTION DAQ DEVICE](#) [ALLTHINGSTALK](#) [LTE-M RAPID DEV. KIT](#) [LV18F V6](#) [DEVELOPMENT](#)
[SYSTEM](#) [READY FOR AVR BOARD](#) [READY FOR PIC BOARD](#) [READY FOR PIC \(DIP28\)](#) [EVB-VF522R3](#) [AVRPLC16](#) [V6 PLC](#)
[SYSTEM](#) [MIKROLAB FOR AVR XL](#) [MIKROLAB FOR PIC L](#) [MINI-AT BOARD - 5V](#) [MINI-M4 FOR STELLARIS](#) [MOD-09.Z](#) [BUGGY](#)
[+ CLICKER 2 FOR PIC32MX + BLUETOOT](#) [1410](#) [LETS MAKE PROJECT PROGRAM. RELAY PIC](#) [LETS MAKE - VOICE](#)
[CONTROLLED LIGHTS](#) [LPC-H2294](#) [DSPIC-READY2 BOARD](#)