

**Terminal strip with jumper slot; 2 solder pins/pole; 2-pole; pin spacing 7.5 mm / 0.295 in; without fixing flange**

Item No.: 745-302



Terminal strip with jumper slot; 2 solder pins/pole; 2-pole; pin spacing 7.5 mm / 0.295 in; without fixing flange

**Marking**

RoHS ✓  
Compliant

**Business data**

Supplier	WAGO
Item no.	745-302
GTIN / EAN	4044918302074
Content	1
Order amount	128
Customer item number	

**Notes**

Terminal strips with screwdriver-actuated CAGE CLAMP® Also available with Ex e approval Comb-style jumper bars for commoning and distributing potentials Custom color combinations Double solder pins for high mechanical stability Saves spaces thanks to positioning of terminal strips behind one another Integrated testing tap Marker slot for miniature WSB and WMB markers

**Technical data**

*Miscellaneous*

No. of poles	2
Pin Spacing	7.5 mm / 0.295 in %
Total number of connection points	2
Total number of potentials	2
Color	gray
Ratings according to 1	IEC/EN 60664-1

<b>Technical data</b>	
Overvoltage category EN 1	III
Pollution degree (1)	2
Rated voltage EN (1) [V]	630 [V]
Rated surge voltage (1) [kV]	6 [kV]
Nominal current [A]	41 [A]
Overvoltage category EN 2	II
Degree of pollution (2)	2
Rated voltage EN (2) [V]	1000 [V]
Rated surge voltage (2) [kV]	6 [kV]
Nominal current (2) [A]	41 [A]
Overvoltage category EN 3	III
Degree of pollution (3)	3
Rated voltage EN (3) [V]	500 [V]
Rated surge voltage (3) [kV]	6 [kV]
Nominal current (3) [A]	41 [A]
Number of individual connection objects at the product	1
Connection technology (1)	CAGE CLAMP®
Solid sizes 1	0.2 ... 6 mm <sup>2</sup> / 24 ... 10 AWG
Fine-stranded wires 1	0.2 ... 6 mm <sup>2</sup> / 24 ... 10 AWG
Fine-stranded wires with insulated ferrule 1	0.25 ... 4 mm <sup>2</sup> / ...
Fine-stranded wires with uninsulated ferrule 1	0.25 ... 4 mm <sup>2</sup> / ...
Strip length 1	11 ... 12 mm / 0.43 ... 0.47 in
Conductor entry angle to the PCB 1 [°]	45 [°]
Solder pin arrangement	in-line solder pin
Solder pin length [mm]	4.5 [mm]
Solder pin width A [mm]	1 [mm]
Solder pin width B [mm]	1.4 [mm]
Tolerance of drilled hole [mm]	1.8(+ 0.1) [mm]
Material group	I
Insulating material	Polyamide 66 (PA 66)
Flammability rating per UL 94	V0
Limit temperature range	-60 C ... 105 C
Clamping spring material	Chrome-nickel spring steel (CrNi)
Contact material	Electrolytic copper (Ecu)

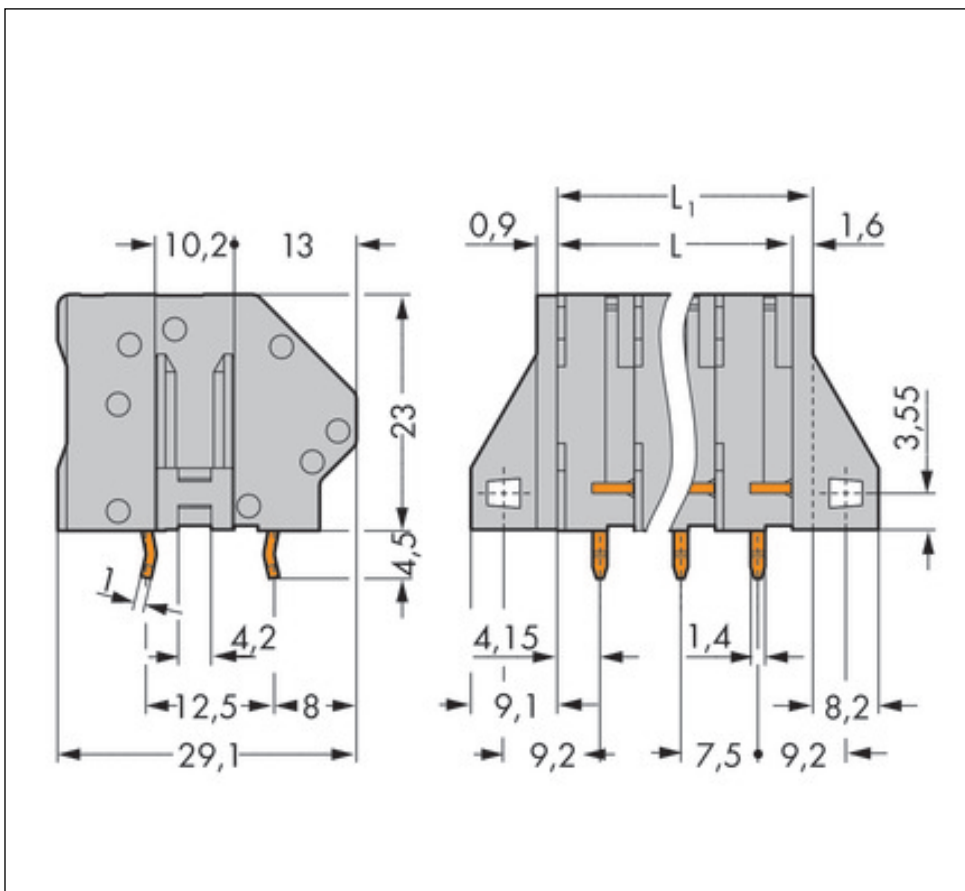
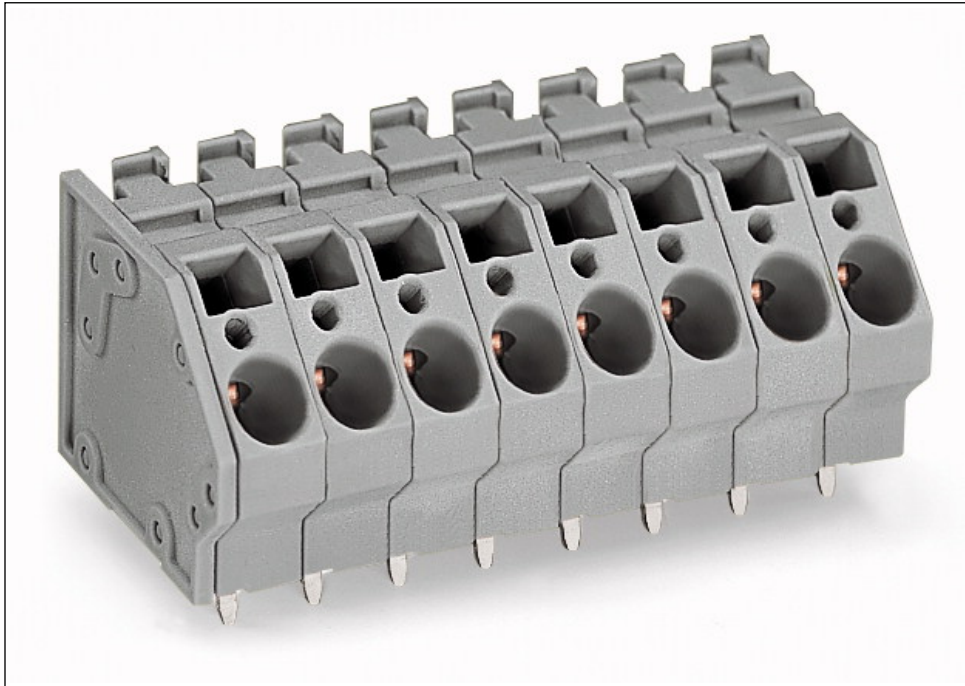
Printview: Terminal strip with jumper slot; 2 solder pins/pole; 2-pole; pin spacing 7.5 mm / 0.295 in; without fixing flange - Item No.: 745-302

---

**Technical data**

<i>Contact plating</i>	<i>tin-plated</i>
<i>Fire load [MJ]</i>	<i>0.167 [MJ]</i>
<i>Weight [g]</i>	<i>10.209 [g]</i>
<i>Width</i>	<i>16.6 mm / 0.654 in</i>
<i>Height</i>	<i>27.5 mm / 1.083 in</i>
<i>Height from the surface</i>	<i>23 mm / 0.906 in</i>
<i>Length</i>	<i>29.1 mm / 1.146 in</i>

Images & drawings



**Address**

WAGO Kontakttechnik GmbH & Co. KG

Hansastr. 27

32423 Minden

Telefon: 0571/887-0

Fax: 0571/887-169

<http://www.wago.com>

© WAGO Kontakttechnik GmbH & Co. KG

Technische Änderungen und Irrtümer vorbehalten.

## X-ON Electronics

Largest Supplier of Electrical and Electronic Components

*Click to view similar products for [wago manufacturer](#):*

Other Similar products are found below :

[750-460](#) [231-118/026-000](#) [231-303/026-000](#) [231-620/019-000](#) [257-403](#) [280-438](#) [280-831](#) [284-624](#) [210-111](#) [231-303/037-000](#) [231-446/001-000\\_NR](#) [232-216/026-000](#) [234-510](#) [264-726](#) [280-339](#) [0283-0671](#) [830-800/000-305](#) [750-512](#) [750-455](#) [51251782](#) [286-312](#) [713-1428/107-000](#) [731-138/048-000](#) [750-459](#) [750-517](#) [793-3505](#) [826-172](#) [859-304](#) [280-335](#) [231-535/001-000](#) [2604-1106](#) [2604-1504](#) [2606-1103/020-000](#) [2624-1103](#) [2626-3103/020-000](#) [713-1107](#) [852-1411](#) [2106-1307](#) [2116-5307](#) [832-1205](#) [832-3604](#) [2009-110](#) [281-512/281-501](#) [286-336](#) [750-421](#) [750-838](#) [753-559](#) [750-1505](#) [787-732](#) [753-437](#)