

2-conductor through terminal block; suitable for Ex e II applications

Item No.: 2000-1201



2-conductor through terminal block; suitable for Ex e II applications

Marking

RoHS ✓
Compliant

Business data

Supplier	WAGO
Item no.	2000-1201
GTIN / EAN	4045454966768
Content	1
Order amount	100
Customer item number	

Notes

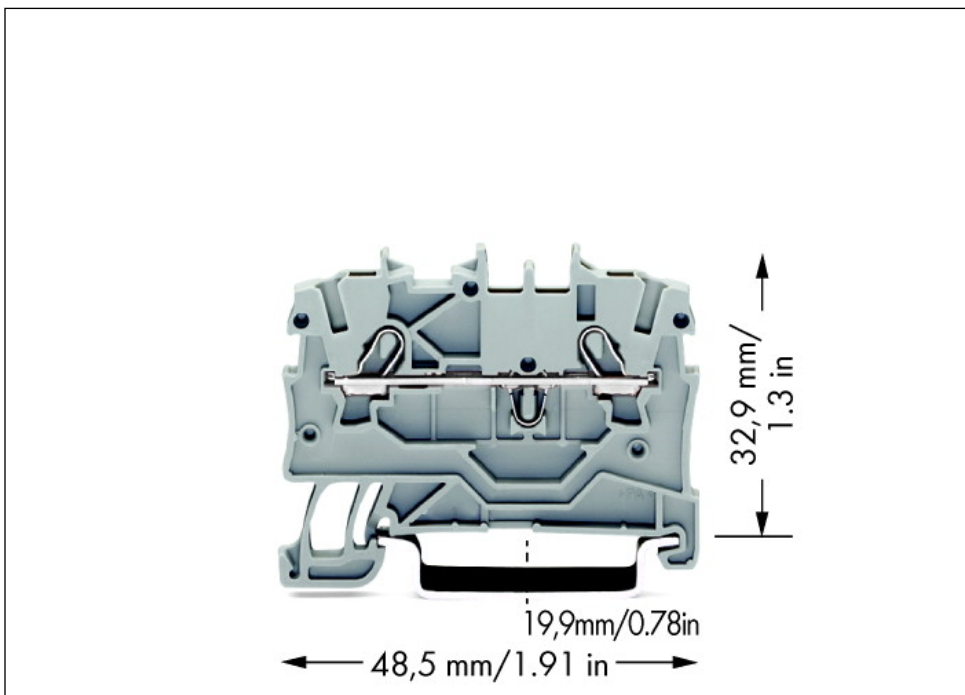
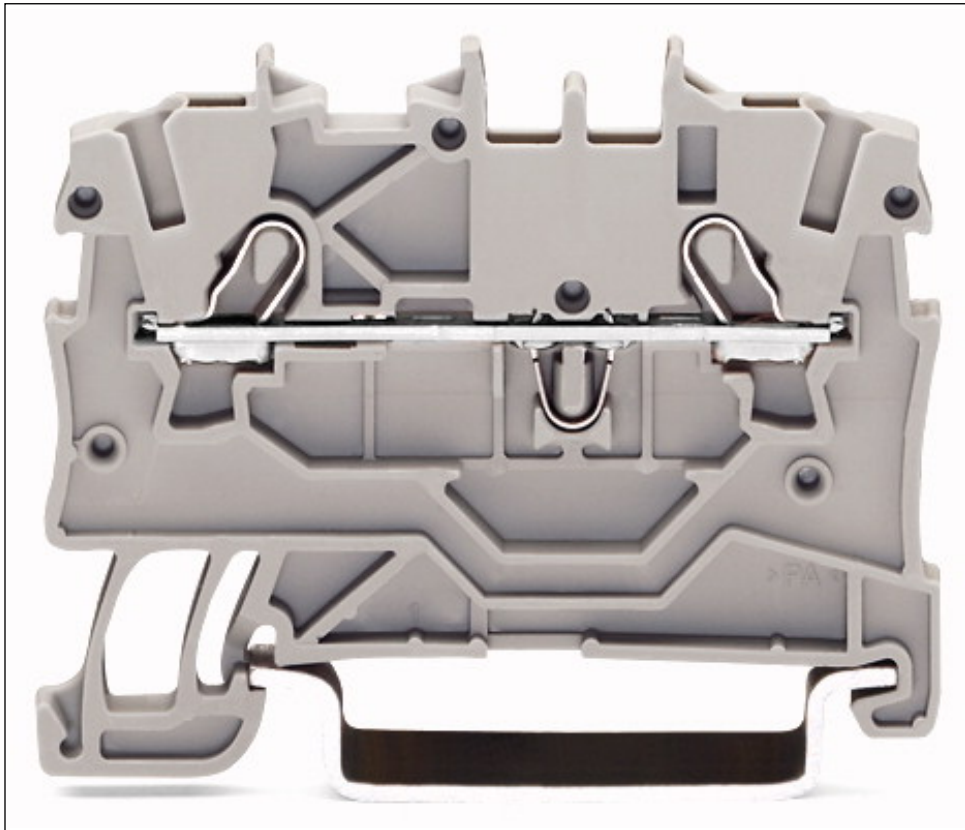
Technical data

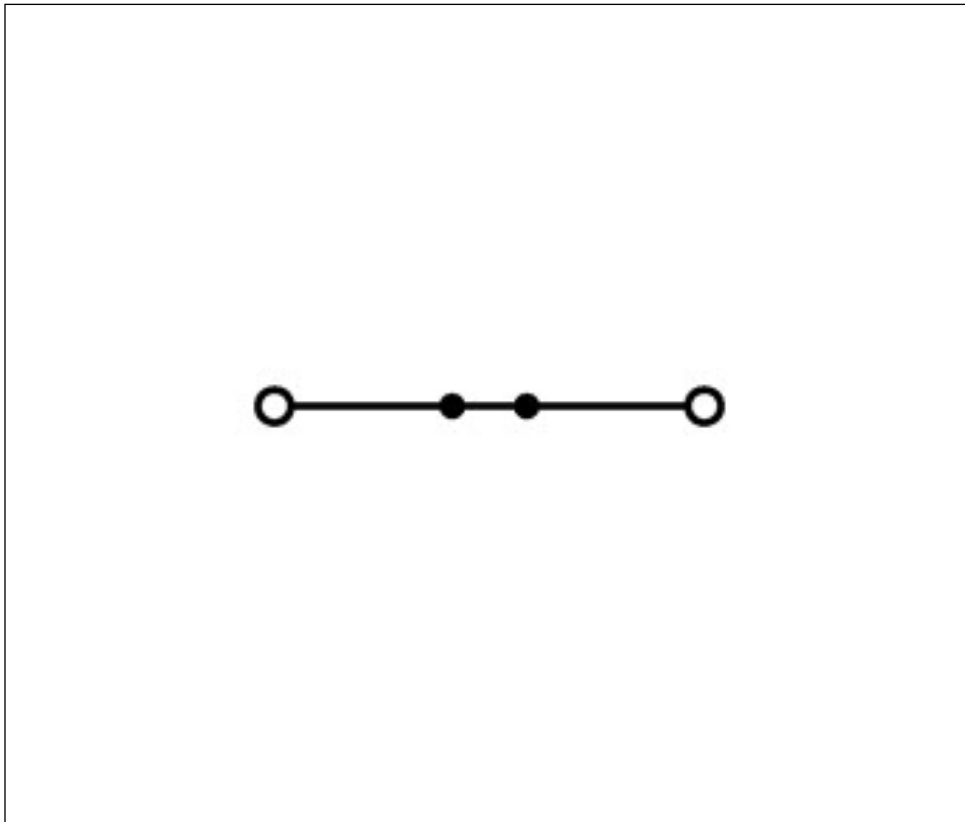
Miscellaneous

Total number of connection points	2
Total number of potentials	1
Color	gray
Ratings according to 1	IEC/EN 60947-7-1
Pollution degree (1)	3
Rated voltage EN (1) [V]	800 [V]
Rated surge voltage (1) [kV]	8 [kV]
Nominal current [A]	13.5 [A]
Nominal current (2) [A]	18 [A]
Rated voltage EN (Ex e II) [V]	550 [V]

Technical data	
Nominal current (Ex e II) [A]	13 [A]
Nominal current (Ex e II) with jumper [A]	12 [A]
Connection technology (1)	Push-in CAGE CLAMP®
Nominal cross section 1	1 mm ²
Solid sizes 1	0.14 ... 1.5 mm ² / 24 ... 16 AWG
solid, directly pluggable 1	0.5 ... 1.5 mm ² / 20 ... 16 AWG
Fine-stranded wires 1	0.14 ... 1.5 mm ² / 24 ... 16 AWG
min. fine-stranded with insulated ferrule, push-in terminati	0.5 mm ² / 20 AWG
Strip length 1	9 ... 11 mm / 0.35 ... 0.43 in
Type of wiring	Front-entry wiring
Design	horizontal
Marking level	Center/Side marking
Insulating material	Polyamide 66 (PA 66)
Fire load [MJ]	0.079 [MJ]
Weight [g]	3.58 [g]
Width	3.5 mm / 0.138 in
Height from upper-edge of DIN-rail [mm]	32.9 [mm]
Height from upper-edge of DIN-rail	32.9 mm / 1.295 in
Length	48.5 mm / 1.909 in
Type of mounting	DIN 35 rail

Images & drawings





Address

WAGO Kontakttechnik GmbH & Co. KG

Hansastr. 27

32423 Minden

Telefon: 0571/887-0

Fax: 0571/887-169

<http://www.wago.com>

© WAGO Kontakttechnik GmbH & Co. KG

Technische Änderungen und Irrtümer vorbehalten.

X-ON Electronics

Largest Supplier of Electrical and Electronic Components

Click to view similar products for [DIN Rail Terminal Blocks](#) category:

Click to view products by [Wago](#) manufacturer:

Other Similar products are found below :

[00110420202](#) [00175550302](#) [8WA1011-1BH23](#) [91.040](#) [9123140000](#) [RBO 5-T-B-HEX](#) [1333564](#) [1431306](#) [HSL-TB64-DIN](#) [90.070](#) [90.202](#)
[912314](#) [260-301_NR](#) [280-560](#) [280-564](#) [281-611/281-542](#) [281-673/281-411](#) [281-994](#) [283-317](#) [283-607](#) [264-724](#) [264-726](#) [280-530](#) [280-555](#)
[280-619](#) [281-610](#) [281-622/281-417](#) [284-317](#) [2907033](#) [35956](#) [USK 10](#) [102510](#) [5520682](#) [EMH 25-ZE30](#) [1SNK706410R0000](#)
[1SNK705210R0000](#) [1SNK705151R0000](#) [1SNK705020R0000](#) [1SNK506066R0000](#) [1SNK506061R0000](#) [1SNK506012R0000](#)
[1SNK505065R0000](#) [1SNK505060R0000](#) [UM 45-SEFE M.NUT BK](#) [1SNK505062R0000](#) [1SNK506013R0000](#) [1SNK506030R0000](#)
[1SNK506062R0000](#) [1SNK506065R0000](#) [1SNK508062R0000](#)