

### 3-conductor through terminal block; suitable for Ex e II applications

Item No.: 2001-1301



3-conductor through terminal block; suitable for Ex e II applications

#### Marking

RoHS ✓  
Compliant

#### Business data

Supplier	WAGO
Item no.	2001-1301
GTIN / EAN	4017332998628
Content	1
Order amount	100
Customer item number	

#### Notes

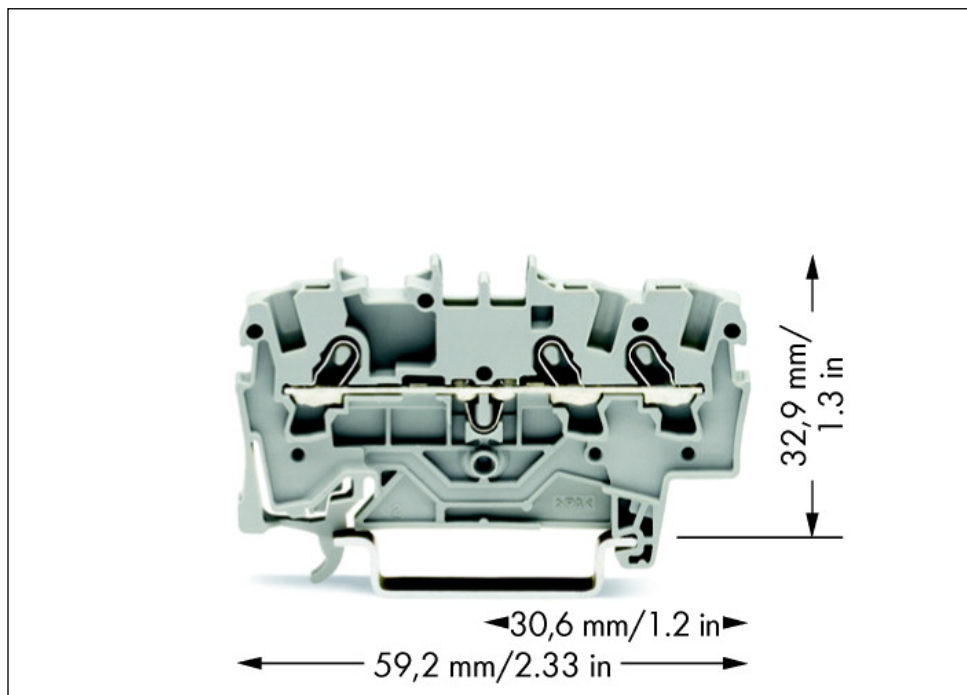
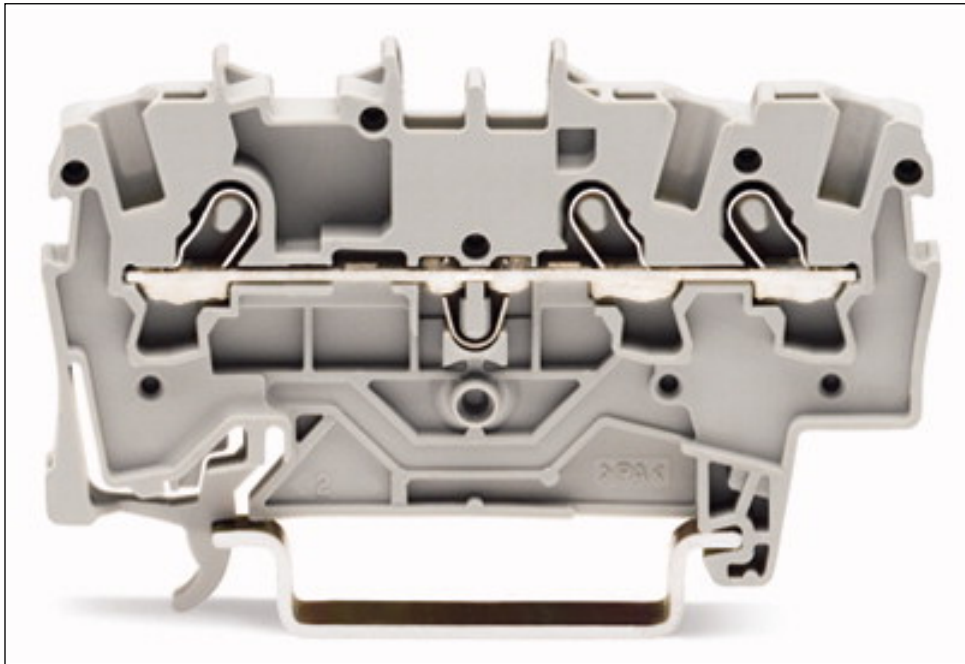
#### Technical data

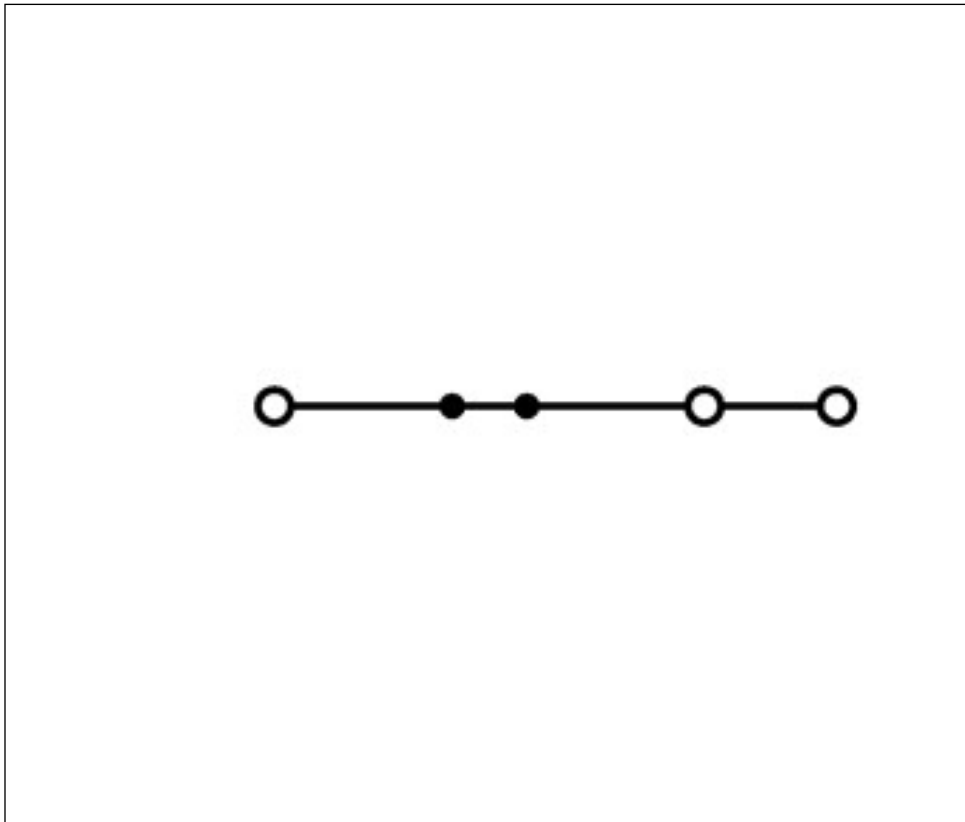
##### Miscellaneous

Total number of connection points	3
Total number of potentials	1
Color	gray
Ratings according to 1	IEC/EN 60947-7-1
Pollution degree (1)	3
Rated voltage EN (1) [V]	800 [V]
Rated surge voltage (1) [kV]	8 [kV]
Nominal current [A]	18 [A]
Nominal current (2) [A]	24 [A]
Rated voltage EN (Ex e II) [V]	550 [V]

<b>Technical data</b>	
Nominal current (Ex e II) [A]	17 [A]
Nominal current (Ex e II) with jumper [A]	16 [A]
Connection technology (1)	Push-in CAGE CLAMP®
Nominal cross section 1	1.5 mm <sup>2</sup>
Solid sizes 1	0.25 ... 2.5 mm <sup>2</sup> / 22 ... 14 AWG
solid, directly pluggable 1	0.5 ... 2.5 mm <sup>2</sup> / 20 ... 14 AWG
Fine-stranded wires 1	0.25 ... 2.5 mm <sup>2</sup> / 22 ... 14 AWG
min. fine-stranded with insulated ferrule, push-in terminati	0.75 mm <sup>2</sup> / 18 AWG
Strip length 1	9 ... 11 mm / 0.35 ... 0.43 in
Type of wiring	Front-entry wiring
Design	horizontal
Marking level	Center/Side marking
Insulating material	Polyamide 66 (PA 66)
Fire load [MJ]	0.093 [MJ]
Weight [g]	4.326 [g]
Width	4.2 mm / 0.165 in
Height from upper-edge of DIN-rail [mm]	32.9 [mm]
Height from upper-edge of DIN-rail	32.9 mm / 1.295 in
Length	59.2 mm / 2.33 in
Type of mounting	DIN 35 rail

Images & drawings





#### Address

WAGO Kontakttechnik GmbH & Co. KG

Hansastr. 27

32423 Minden

Telefon: 0571/887-0

Fax: 0571/887-169

<http://www.wago.com>

© WAGO Kontakttechnik GmbH & Co. KG

Technische Änderungen und Irrtümer vorbehalten.

## X-ON Electronics

Largest Supplier of Electrical and Electronic Components

*Click to view similar products for [wago manufacturer](#):*

Other Similar products are found below :

[750-460](#) [231-118/026-000](#) [231-303/026-000](#) [231-620/019-000](#) [257-403](#) [280-438](#) [280-831](#) [284-624](#) [210-111](#) [231-303/037-000](#) [231-446/001-000\\_NR](#) [232-216/026-000](#) [234-510](#) [264-726](#) [280-339](#) [0283-0671](#) [830-800/000-305](#) [750-512](#) [750-455](#) [51251782](#) [286-312](#) [713-1428/107-000](#) [731-138/048-000](#) [750-459](#) [750-517](#) [750-602](#) [793-3505](#) [826-172](#) [859-304](#) [280-335](#) [231-535/001-000](#) [2604-1105](#) [2604-1106](#) [2604-1504](#) [2606-1103/020-000](#) [2624-1103](#) [2626-3103/020-000](#) [821-104](#) [713-1107](#) [852-1411](#) [2106-1307](#) [2116-5307](#) [832-1205](#) [832-3604](#) [2009-110](#) [281-512/281-501](#) [286-336](#) [750-421](#) [750-838](#) [753-559](#)