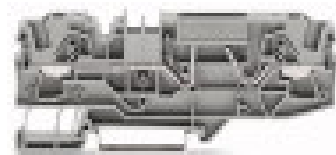


2-conductor fuse terminal block for mini-automotive blade-style fuses; with test option; without blown fuse indication

Item No.: 2006-1681



2-conductor fuse terminal block for mini-automotive blade-style fuses; with test option; without blown fuse indication

Marking

RoHS ✓
Compliant

Business data

Supplier	WAGO
Item no.	2006-1681
GTIN / EAN	4050821181729
Content	1
Order amount	25
Customer item number	

Notes

Safety information 2: Blade-style fuses, please note touchproof protection for 42V and higher.

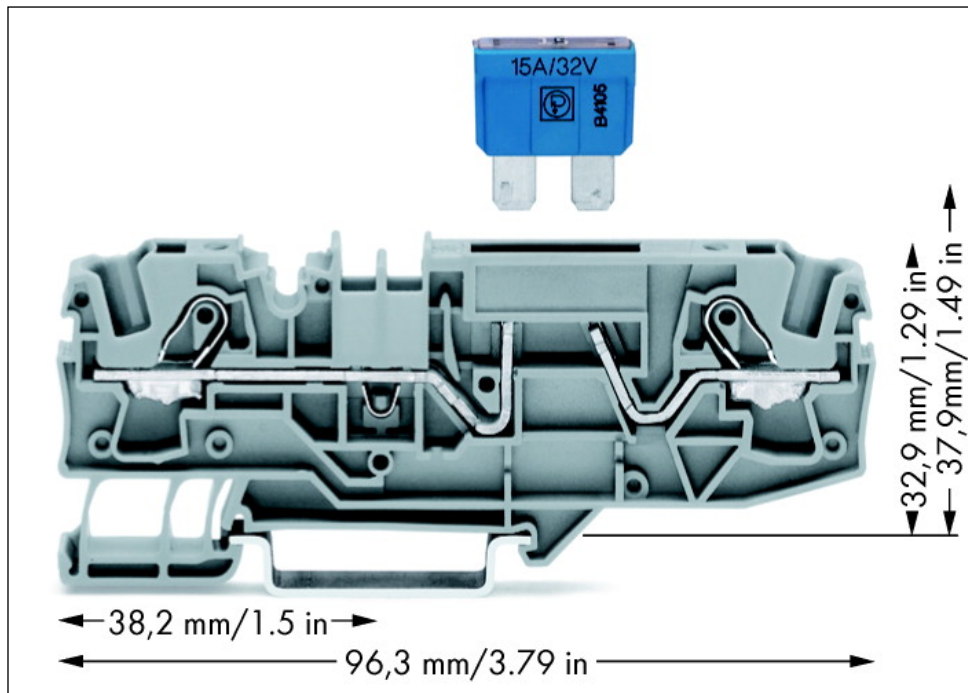
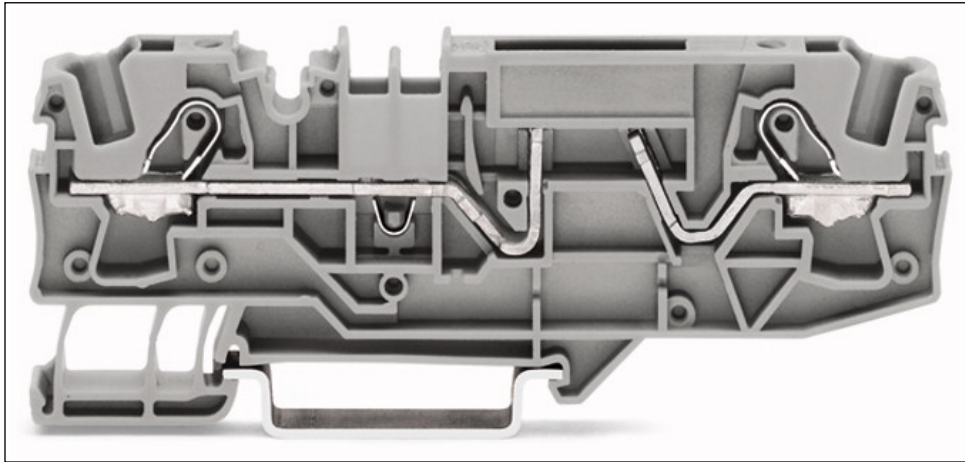
Technical data

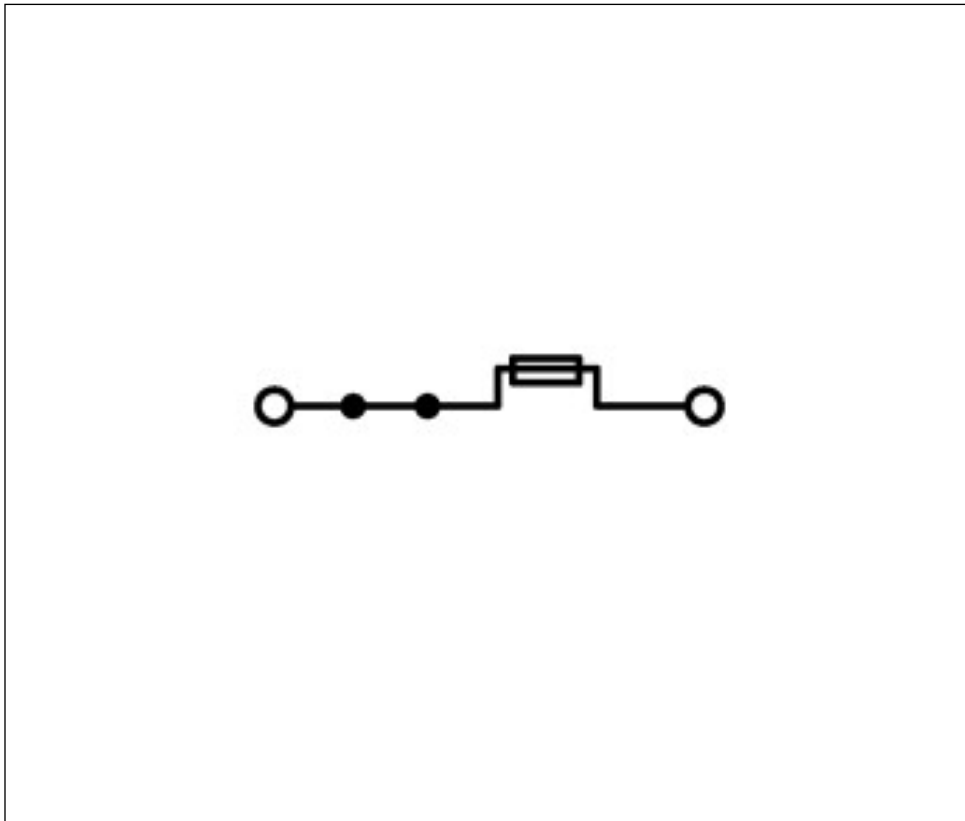
Miscellaneous

Total number of connection points	2
Total number of potentials	2
Color	gray
Ratings according to 1	IEC/EN 60947-7-3
Pollution degree (1)	3
Rated voltage EN (1) [V]	500 [V]
Rated surge voltage (1) [kV]	8 [kV]
Nominal current [A]	25 [A]

Technical data	
<i>Nominal current (2) [A]</i>	30 [A]
<i>Connection technology (1)</i>	Push-in CAGE CLAMP®
<i>Nominal cross section 1</i>	6 mm ²
<i>Solid sizes 1</i>	0.5 ... 10 mm ² / 20 ... 8 AWG
<i>solid, directly pluggable 1</i>	1 ... 10 mm ² / 14 ... 8 AWG
<i>Fine-stranded wires 1</i>	0.5 ... 10 mm ² / 20 ... 8 AWG
<i>min. fine-stranded with insulated ferrule, push-in terminati</i>	1.5 mm ² / 16 AWG
<i>Strip length 1</i>	13 ... 15 mm / 0.51 ... 0.59 in
<i>Type of wiring</i>	Front-entry wiring
<i>Design</i>	horizontal
<i>Marking level</i>	Center/Side marking
<i>Insulating material</i>	Polyamide 66 (PA 66)
<i>Fire load [MJ]</i>	0.275 [MJ]
<i>Weight [g]</i>	16.275 [g]
<i>Width</i>	7.5 mm / 0.295 in
<i>Height from upper-edge of DIN-rail [mm]</i>	32.9 [mm]
<i>Height from upper-edge of DIN-rail</i>	32.9 mm / 1.295 in
<i>Length</i>	96.3 mm / 3.791 in
<i>Type of mounting</i>	DIN 35 rail
<i>Safety information 1</i>	Electrical ratings are given by the fuse.

Images & drawings





Address

WAGO Kontakttechnik GmbH & Co. KG

Hansastr. 27

32423 Minden

Telefon: 0571/887-0

Fax: 0571/887-169

<http://www.wago.com>

© WAGO Kontakttechnik GmbH & Co. KG

Technische Änderungen und Irrtümer vorbehalten.

X-ON Electronics

Largest Supplier of Electrical and Electronic Components

Click to view similar products for [wago manufacturer](#):

Other Similar products are found below :

[750-460](#) [231-118/026-000](#) [231-303/026-000](#) [231-620/019-000](#) [257-403](#) [280-438](#) [280-831](#) [284-624](#) [210-111](#) [231-303/037-000](#) [231-446/001-000_NR](#) [232-216/026-000](#) [234-510](#) [264-726](#) [280-339](#) [0283-0671](#) [830-800/000-305](#) [750-512](#) [750-455](#) [51251782](#) [286-312](#) [713-1428/107-000](#) [731-138/048-000](#) [750-459](#) [750-517](#) [750-602](#) [793-3505](#) [826-172](#) [859-304](#) [280-335](#) [231-535/001-000](#) [2604-1105](#) [2604-1106](#) [2604-1504](#) [2606-1103/020-000](#) [2624-1103](#) [2626-3103/020-000](#) [821-104](#) [713-1107](#) [852-1411](#) [2106-1307](#) [2116-5307](#) [832-1205](#) [832-3604](#) [2009-110](#) [281-512/281-501](#) [286-336](#) [750-421](#) [750-838](#) [753-559](#)