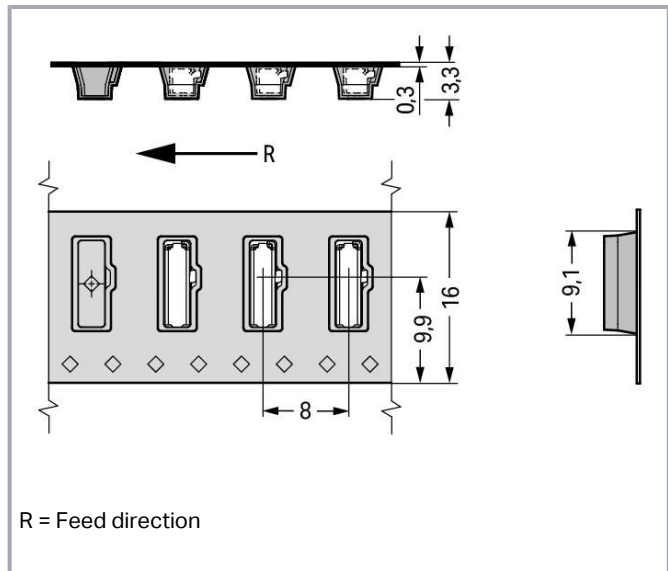
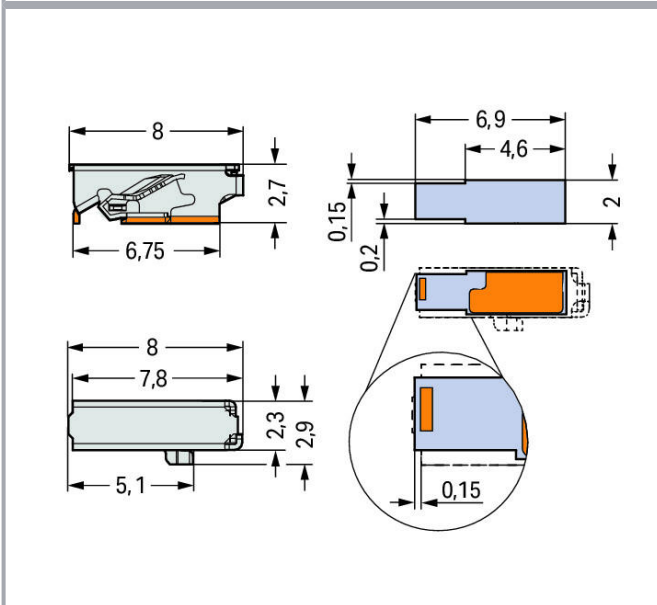
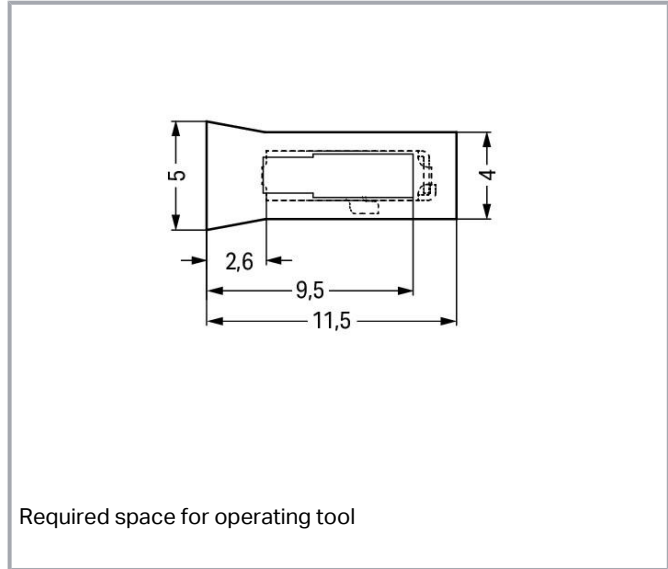
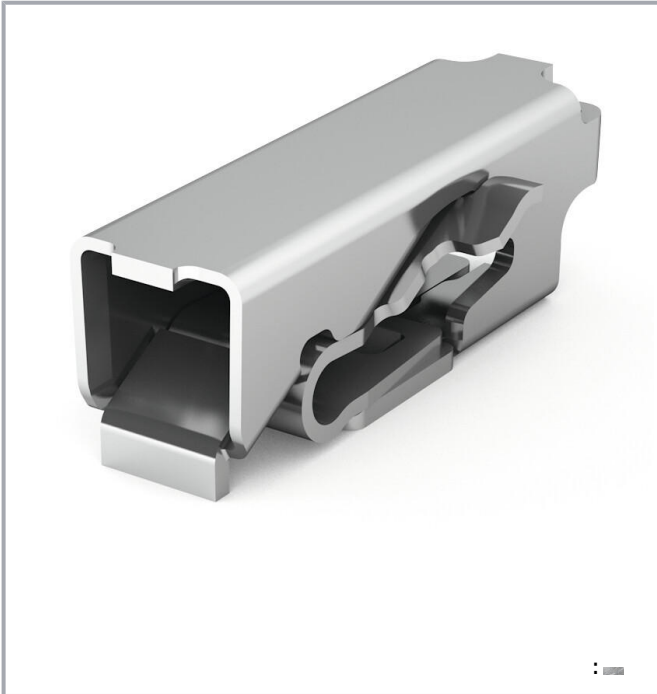


| : 2065-100/998-403

SMD PCB terminal block; push-button; 0.75 mm²; Pin spacing 6.5 mm; 1-pole; Push-in CAGE CLAMP®; in tape-and-reel packaging; Without housing; 0,75 mm²; silver-colored

www.wago.com/2065-100_998-403



WAGO Electronic (Tianjin) Co., Ltd.
No.5, Quan Hui Road
Wuqing Development Area | Tianjin 301700
Tel.: +86 22 59677688 | Fax: +86 22 59617668
Email: info-cn@wago.com

+49 (571) 887-44222



- SMD PCB terminal block with push-button and Push-in CAGE CLAMP® connection technology
- Push-in termination of solid conductors
- Convenient termination/removal of fine-stranded conductors via push-button and operating tool
- Height of just 2.7 mm
- Available in tape-and-reel packaging for automated assembly
- Also available in a PUSH WIRE® variant without push-button (only for solid conductors)

Note:

The ratings are based on an example pin spacing of 6.5 mm.

The layout must meet the requirements of the insulation coordination standard EN/IEC 60664-1 and applicable end product standards.

Safety information 1:

NOTE: Terminal block without insulation housing! Protection against accidental contact must be provided at voltages higher than low voltages (e. g., SELV/PELV) for the relevant application.

Electrical data

Ratings per IEC/EN

Ratings per	IEC/EN 60664-1
Rated voltage (III/2)	320 V
Rated surge voltage (III/2)	4 kV
Nominal voltage (II/2)	630 V

WAGO Electronic (Tianjin) Co., Ltd.

No.5, Quan Hui Road

Wuqing Development Area | Tianjin 301700

Tel.: +86 22 59677688 | Fax: +86 22 59617668

Email: info-cn@wago.com

+49 (571) 887-44222

Rated surge voltage (II/2)	4 kV
Rated current	9 A
Legend (ratings)	(III / 2) \triangleq Overvoltage category III / Pollution degree 2

Ratings per UL

Rated voltage UL 1977	600 V
Rated current UL 1977	9 A

Connection data

Connection technology	Push-in CAGE CLAMP [®]
Actuation type	Push-button
Solid conductor	0.2 ... 0.75 mm ² / 24 ... 18 AWG
Fine-stranded conductor	0.2 ... 0.75 mm ² / 24 ... 18 AWG
Strip length	7.5 ... 9.5 mm / 0.3 ... 0.37 inch
Conductor connection direction to PCB	0°
Pole No.	1
Total number of connection points	1
Total number of potentials	1
Number of connection types	1
Number of levels	1

Physical data

Pin spacing	6.5 mm / 0.256 inch
Width	2.9 mm / 0.114 inch
Height	2.7 mm / 0.106 inch
Depth	8 mm / 0.315 inch
Reel diameter of tape-and-reel packaging	330 mm
Tape width	16 mm

PCB contact

PCB Contact	SMD
-------------	-----

Material data

Color	silver-colored
Clamping spring material	Chrome nickel spring steel (CrNi)
Contact material	Copper alloy

Contact plating	tin-plated
Weight	0.1 g

Environmental requirements




Limit temperature range	-60 ... +120 °C
-------------------------	-----------------

Commercial data

Packaging type	BOX
Country of origin	CH
GTIN	4055143665469
Customs tariff number	85369010000

/

Country specific Approvals

	CB DEKRA Certification B.V.	EN 60947-7-4	NL- 49896 (IEC 60947- 7-4: 2013)
	KEMA/KEUR DEKRA Certification B.V.	EN 60947-7-4	71- 102154
	KEMA/KEUR DEKRA Certification B.V.	EN 60998	71- 102159

UL-Approvals

	UR Underwriters Laboratories Inc.	UL 1977	E45171 sec. 25
--	--------------------------------------	---------	-------------------

General accessories

✂ : 2065-131
Board-to-Board Link; Pin spacing 6.5 mm; Length: 15.6 mm; silver-colored www.wago.com/2065-131

✂ : 2065-133
Board-to-Board Link; Pin spacing 6.5 mm; Length: 17.6 mm; silver-colored www.wago.com/2065-133

tools

🔧 : 2065-189
Operating tool; made of insulating material; white www.wago.com/2065-189

Documentation

Additional Information

Technical explanations	201943	pdf 2.0 MB
------------------------	--------	---------------

CAD/CAE-Data

CAD data

2D/3D Models 2065-100/998-403	URL
-------------------------------	---------------------

PCB Design

Symbol and Footprint 2065-100/998-403	URL
---------------------------------------	---------------------

CAX data for your PCB design, consisting of "schematic symbols and PCB footprints", allow easy integration of the WAGO component into your development environment.

Supported formats:

- Accel EDA 14 & 15
- Altium 6 to current version
- Cadence Allegro
- DesignSpark
- Eagle Libraries
- KiCad
- Mentor Graphics BoardStation
- Mentor Graphics Design Architect
- Mentor Graphics Design Expedition 99 and 2000
- OrCAD 9.X PCB and Capture
- PADS PowerPCB 3, 3.5, 4.X, and 5.X
- PADS PowerPCB and PowerLogic 3.0



- PCAD 2000, 2001, 2002, 2004, and 2006
- Pulsonix 8.5 or newer
- STL
- 3D STEP
- TARGET 3001!
- View Logic ViewDraw
- Quadcept
- Zuken CadStar 3 and 4
- Zuken CR-5000 and CR-8000

PCB Component Libraries (EDA), PCB CAD Library Ultra Librarian

CAE data

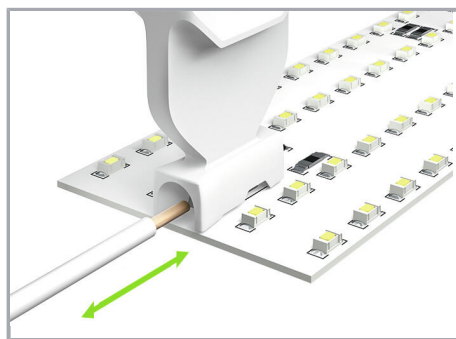
ZUKEN Portal 2065-100/998-403	URL
-------------------------------	-----

Environmental Product Compliance

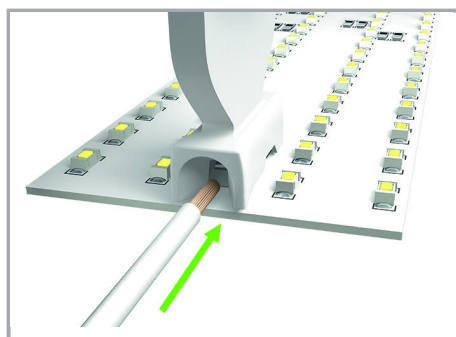
Compliance Search

Environmental Product Compliance 2065-100/998-403	URL
SMD PCB terminal block; push-button; 0.75 mm ² ; Pin spacing 6.5 mm; 1-pole; Push-in CAGE CLAMP®; in tape-and-reel packaging; Without housing; 0,75 mm ² ; silver-colored	

Installation Notes



Push-in CAGE CLAMP® variant: Insert fine-stranded conductors and remove all conductor types via operating tool. Solid conductors can also be terminated by simply pushing them in.



The 2065-189 Operating Tool's funneled conductor entry securely guides all conductor types into the Push-in CAGE CLAMP®.

X-ON Electronics

Largest Supplier of Electrical and Electronic Components

Click to view similar products for [Wago manufacturer](#):

Other Similar products are found below :

[734-190](#) [750-460](#) [206-860](#) [209-574](#) [231-118/026-000](#) [231-620/019-000](#) [250-209](#) [2734-108/037-000](#) [280-438](#) [231-446/001-000_NR](#) [232-216/026-000](#) [264-726](#) [2001-1207](#) [830-800/000-305](#) [811-421](#) [793-3501](#) [788-303](#) [2000-2231](#) [2006-1661](#) [731-138/048-000](#) [750-604](#) [773-108793-5666](#) [811-317](#) [811-411](#) [857-415](#) [258-5000](#) [255-406](#) [285-407](#) [0745-0302](#) [713-1108](#) [210-101](#) [2060-473/998-404](#) [750-469/003-000](#) [787-712](#) [830-1000/000-000](#) [2000-5372](#) [769-412](#) [221-525](#) [852-1417](#) [2636-3105/020-000](#) [231-332/108-000](#) [281-512/281-501](#) [750-421](#) [750-842769-615](#) [753-437](#) [2009-145](#) [750-463](#) [852-1305/000-001](#)