

PCB terminal strip; 2 solder pins/pole; 48-pole; pin spacing 5/5.08 mm / 0.2 in

Item No.: 236-448



PCB terminal strip; 2 solder pins/pole; 48-pole; pin spacing 5/5.08 mm / 0.2 in

Marking

RoHS ✓
Compliant

Business data

| | |
|----------------------|---------------|
| Supplier | WAGO |
| Item no. | 236-448 |
| GTIN / EAN | 4044918771993 |
| Content | 1 |
| Order amount | 5 |
| Customer item number | |

Notes

Terminal strips with CAGE CLAMP® connection, screwdriver actuation parallel or perpendicular to conductor entry Also available with Ex e approval For custom terminal strip assemblies Operating tools for factory wiring 45° connection angle permits a wide range of uses and wiring options Set to metric or inch pin spacing by compressing terminal strips together or pulling them apart

Technical data

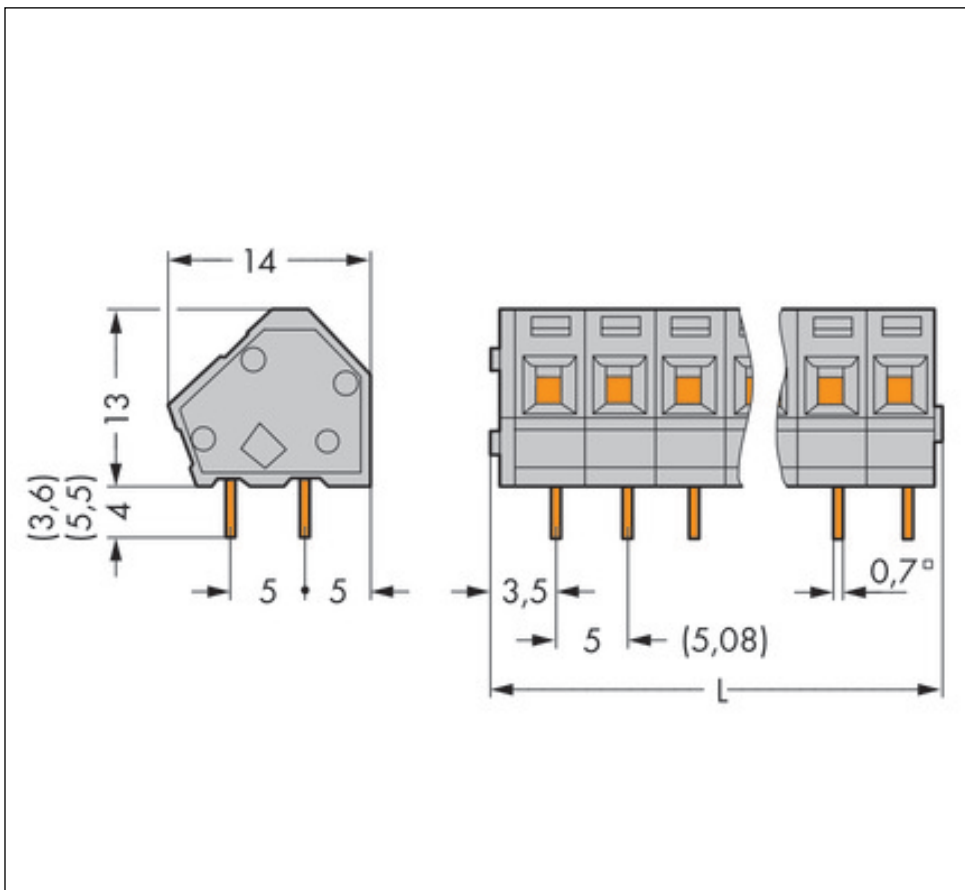
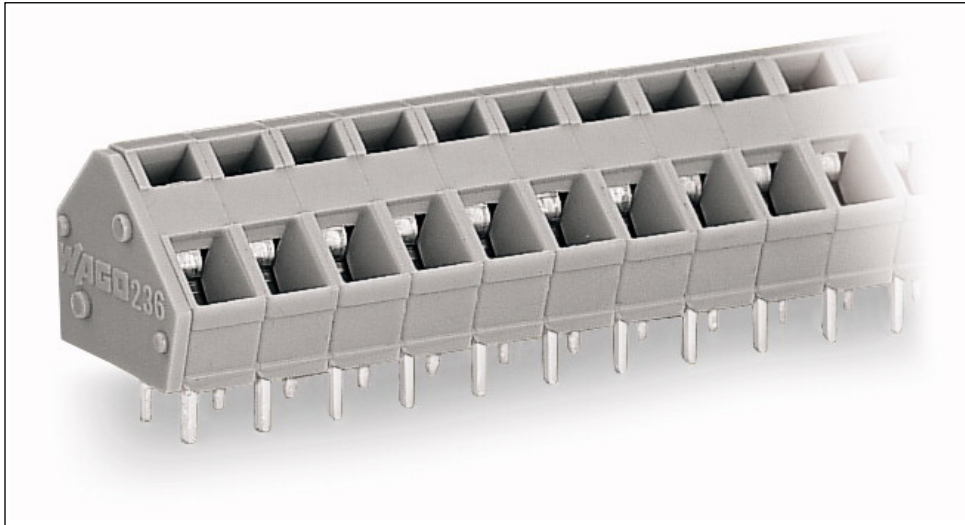
Miscellaneous

| | |
|-----------------------------------|--------------------|
| No. of poles | 48 |
| Pin Spacing | 5/5.08 mm / 0.2 in |
| Total number of connection points | 48 |
| Total number of potentials | 48 |
| Color | gray |
| Ratings according to 1 | IEC/EN 60664-1 |

| Technical data | |
|--|--|
| Overvoltage category EN 1 | III |
| Pollution degree (1) | 2 |
| Rated voltage EN (1) [V] | 320 [V] |
| Rated surge voltage (1) [kV] | 4 [kV] |
| Nominal current [A] | 24 [A] |
| Overvoltage category EN 2 | II |
| Degree of pollution (2) | 2 |
| Rated voltage EN (2) [V] | 630 [V] |
| Rated surge voltage (2) [kV] | 4 [kV] |
| Nominal current (2) [A] | 24 [A] |
| Overvoltage category EN 3 | III |
| Degree of pollution (3) | 3 |
| Rated voltage EN (3) [V] | 250 [V] |
| Rated surge voltage (3) [kV] | 4 [kV] |
| Nominal current (3) [A] | 24 [A] |
| Number of individual connection objects at the product | 1 |
| Connection technology (1) | CAGE CLAMP® |
| Solid sizes 1 | 0.08 ... 2.5 mm ² / 28 ... 12 AWG |
| Fine-stranded wires 1 | 0.08 ... 2.5 mm ² / 28 ... 12 AWG |
| Fine-stranded wires with insulated ferrule 1 | 0.25 ... 1.5 mm ² / ... |
| Fine-stranded wires with uninsulated ferrule 1 | 0.25 ... 1.5 mm ² / ... |
| Strip length 1 | 5 ... 6 mm / 0.2 ... 0.24 in |
| Conductor entry angle to the PCB 1 [°] | 45 [°] |
| Type of wiring | Front-/Side-entry wiring |
| Solder pin arrangement | in-line solder pin |
| Solder pin length [mm] | 4 [mm] |
| Solder pin width A [mm] | 0.7 [mm] |
| Solder pin width B [mm] | 0.7 [mm] |
| Tolerance of drilled hole [mm] | 1.1(+ 0.1) [mm] |
| Material group | I |
| Insulating material | Polyamide 66 (PA 66) |
| Flammability rating per UL 94 | V0 |
| Limit temperature range | -60 C ... 105 C |
| Clamping spring material | Chrome-nickel spring steel (CrNi) |

| Technical data | |
|--------------------------------|----------------------------------|
| <i>Contact material</i> | <i>Electrolytic copper (Ecu)</i> |
| <i>Contact plating</i> | <i>tin-plated</i> |
| <i>Fire load [MJ]</i> | <i>0.58 [MJ]</i> |
| <i>Weight [g]</i> | <i>41.47 [g]</i> |
| <i>Width</i> | <i>242.3 mm / 9.539 in</i> |
| <i>Height</i> | <i>17 mm / 0.669 in</i> |
| <i>Height from the surface</i> | <i>13 mm / 0.512 in</i> |
| <i>Length</i> | <i>14 mm / 0.551 in</i> |

Images & drawings



Address

WAGO Kontakttechnik GmbH & Co. KG

Hansastr. 27

32423 Minden

Telefon: 0571/887-0

Fax: 0571/887-169

<http://www.wago.com>

© WAGO Kontakttechnik GmbH & Co. KG

Technische Änderungen und Irrtümer vorbehalten.

X-ON Electronics

Largest Supplier of Electrical and Electronic Components

Click to view similar products for [wago manufacturer:](#)

Other Similar products are found below :

[750-460](#) [231-118/026-000](#) [231-303/026-000](#) [231-620/019-000](#) [257-403](#) [280-438](#) [280-831](#) [284-624](#) [210-111](#) [231-303/037-000](#) [231-446/001-000_NR](#) [232-216/026-000](#) [234-510](#) [264-726](#) [280-339](#) [0283-0671](#) [830-800/000-305](#) [750-512](#) [750-455](#) [51251782](#) [286-312](#) [713-1428/107-000](#) [731-138/048-000](#) [750-459](#) [750-517](#) [793-3505](#) [826-172](#) [859-304](#) [280-335](#) [231-535/001-000](#) [2604-1106](#) [2604-1504](#) [2606-1103/020-000](#) [2624-1103](#) [2626-3103/020-000](#) [821-104](#) [713-1107](#) [852-1411](#) [2106-1307](#) [2116-5307](#) [832-1205](#) [832-3604](#) [2009-110](#) [281-512/281-501](#) [286-336](#) [750-421](#) [750-838](#) [753-559](#) [750-1505](#) [787-732](#)