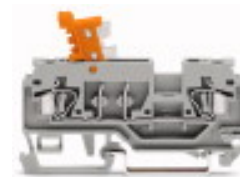


Printview: 2-conductor disconnect/test terminal block; with pivoting knife disconnect; orange disconnect link; with test port for test plug 2 mm Ø and 2.3 mm Ø - Item No.: 280-870

WAGO® online catalog / eShop

2-conductor disconnect/test terminal block; with pivoting knife disconnect; orange disconnect link; with test port for test plug 2 mm Ø and 2.3 mm Ø

Item No.: 280-870



2-conductor disconnect/test terminal block; with pivoting knife disconnect; orange disconnect link; with test port for test plug 2 mm Ø and 2.3 mm Ø

Marking

RoHS ✓
Compliant

Business data

Supplier	WAGO
Item no.	280-870
GTIN / EAN	4050821014560
Content	1
Order amount	100
Customer item number	

Notes

Technical data

Miscellaneous

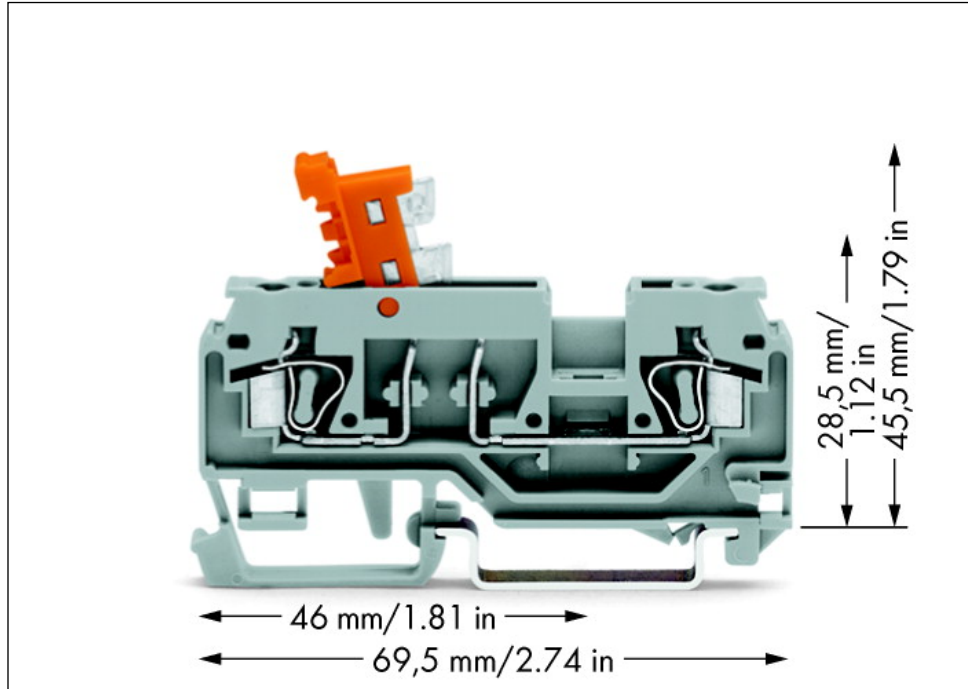
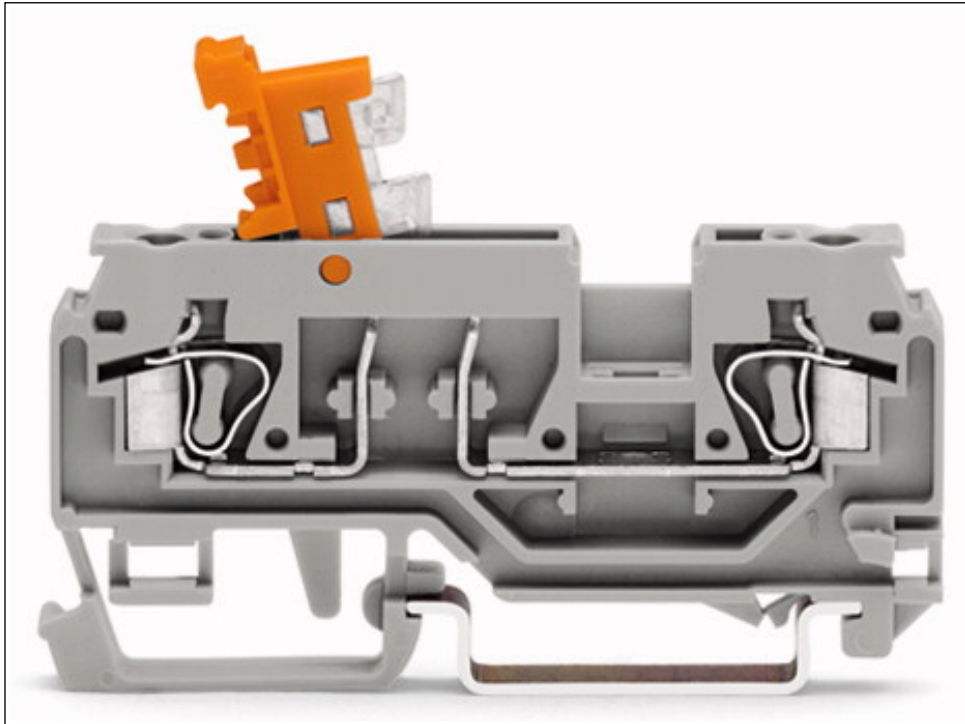
Total number of connection points	2
Total number of potentials	2
Color	gray
Pollution degree (1)	3
Rated voltage EN (1) [V]	400 [V]
Rated surge voltage (1) [kV]	6 [kV]
Nominal current [A]	16 [A]
Connection technology (1)	CAGE CLAMP®

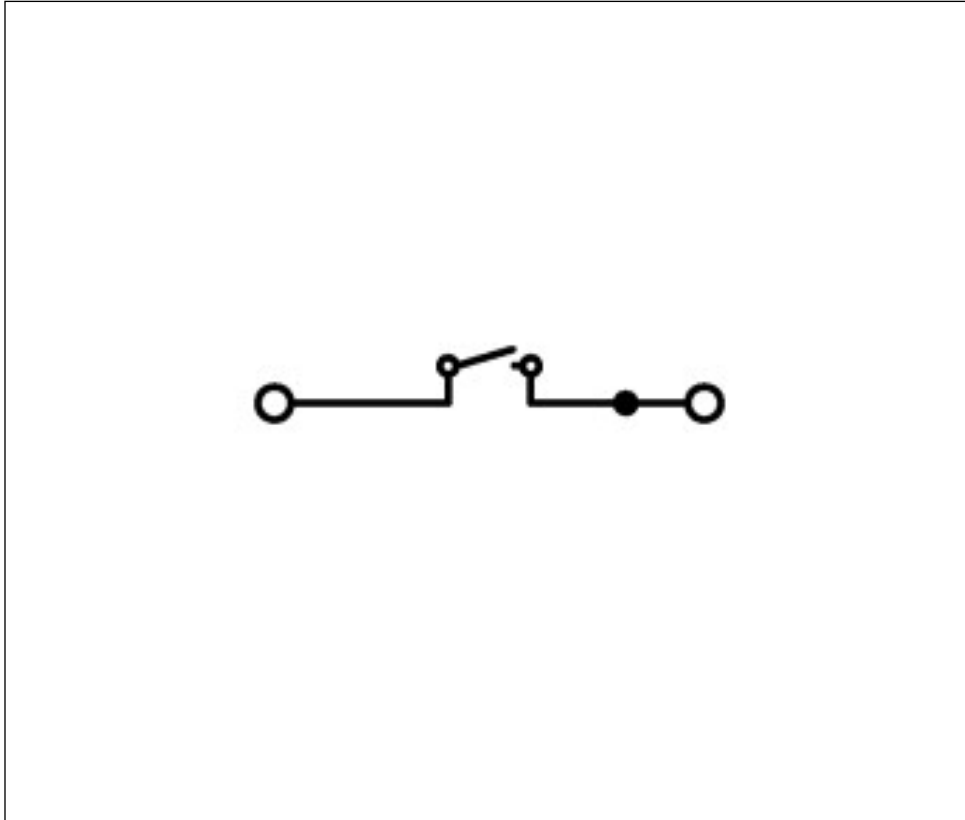
Printview: 2-conductor disconnect/test terminal block; with pivoting knife disconnect; orange disconnect link; with test port for test plug 2 mm Ø and 2.3 mm Ø - Item No.: 280-870

Technical data	
<i>Solid sizes 1</i>	<i>0.08 ... 2.5 mm² / 28 ... 12 AWG</i>
<i>Fine-stranded wires 1</i>	<i>0.08 ... 2.5 mm² / 28 ... 12 AWG</i>
<i>Strip length 1</i>	<i>8 ... 9 mm / 0.31 ... 0.35 in</i>
<i>Note (conductor cross-section)</i>	<i>12 AWG: THHN, THWN</i>
<i>Type of wiring</i>	<i>Front-entry wiring</i>
<i>Design</i>	<i>horizontal</i>
<i>Marking level</i>	<i>Center/Side marking</i>
<i>Insulating material</i>	<i>Polyamide 66 (PA 66)</i>
<i>Fire load [MJ]</i>	<i>0.152 [MJ]</i>
<i>Weight [g]</i>	<i>8.757 [g]</i>
<i>Width</i>	<i>5 mm / 0.197 in</i>
<i>Height from upper-edge of DIN-rail [mm]</i>	<i>28.5 [mm]</i>
<i>Height from upper-edge of DIN-rail</i>	<i>28.5 mm / 1.122 in</i>
<i>Length</i>	<i>69.5 mm / 2.736 in</i>
<i>Type of mounting</i>	<i>DIN 35 rail</i>

Printview: 2-conductor disconnect/test terminal block; with pivoting knife disconnect; orange disconnect link; with test port for test plug 2 mm Ø and 2.3 mm Ø - Item No.: 280-870

Images & drawings





Address

WAGO Kontakttechnik GmbH & Co. KG

Hansastr. 27

32423 Minden

Telefon: 0571/887-0

Fax: 0571/887-169

<http://www.wago.com>

© WAGO Kontakttechnik GmbH & Co. KG

Technische Änderungen und Irrtümer vorbehalten.

X-ON Electronics

Largest Supplier of Electrical and Electronic Components

Click to view similar products for [wago manufacturer](#):

Other Similar products are found below :

[750-460](#) [231-118/026-000](#) [231-303/026-000](#) [231-620/019-000](#) [257-403](#) [280-438](#) [280-831](#) [284-624](#) [210-111](#) [231-303/037-000](#) [231-446/001-000_NR](#) [232-216/026-000](#) [234-510](#) [264-726](#) [280-339](#) [0283-0671](#) [830-800/000-305](#) [750-512](#) [750-455](#) [51251782](#) [286-312](#) [713-1428/107-000](#) [731-138/048-000](#) [750-459](#) [750-517](#) [793-3505](#) [826-172](#) [859-304](#) [280-335](#) [231-535/001-000](#) [2604-1106](#) [2604-1504](#) [2606-1103/020-000](#) [2624-1103](#) [2626-3103/020-000](#) [821-104](#) [713-1107](#) [852-1411](#) [2106-1307](#) [2116-5307](#) [832-1205](#) [832-3604](#) [2009-110](#) [281-512/281-501](#) [286-336](#) [750-421](#) [750-838](#) [753-559](#) [750-1505](#) [787-732](#)