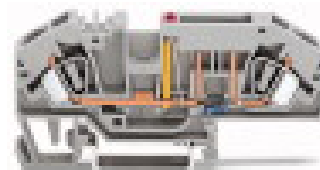


**2-conductor fuse terminal block for mini-automotive blade-style fuses; with test option; 24 V; with blown fuse indication by led; Power consumption LED: 4.8 mA**

Item No.: 282-698/281-413



2-conductor fuse terminal block for mini-automotive blade-style fuses; with test option; 24 V; with blown fuse indication by led; Power consumption LED: 4.8 mA

### Marking

RoHS ✓  
Compliant

### Business data

Supplier	WAGO
Item no.	282-698/281-413
GTIN / EAN	4050821234555
Content	1
Order amount	25
Customer item number	

### Notes

Safety information 1: Electrical ratings are given by the fuse and blown fuse indication. Safety information 2: Blade-style fuses, please note touchproof protection for 42V and higher.

### Technical data

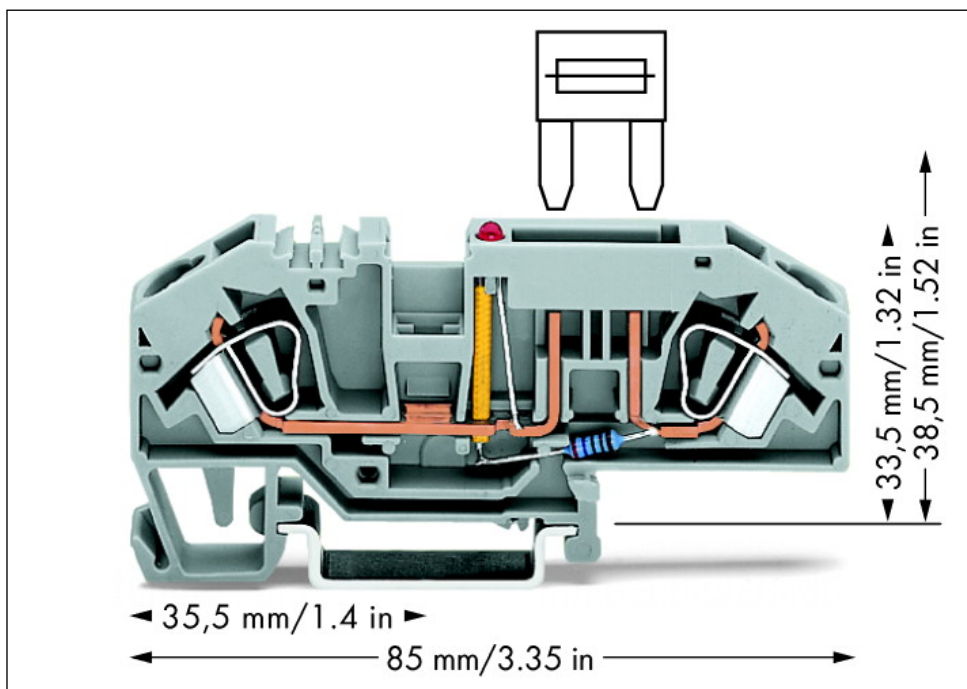
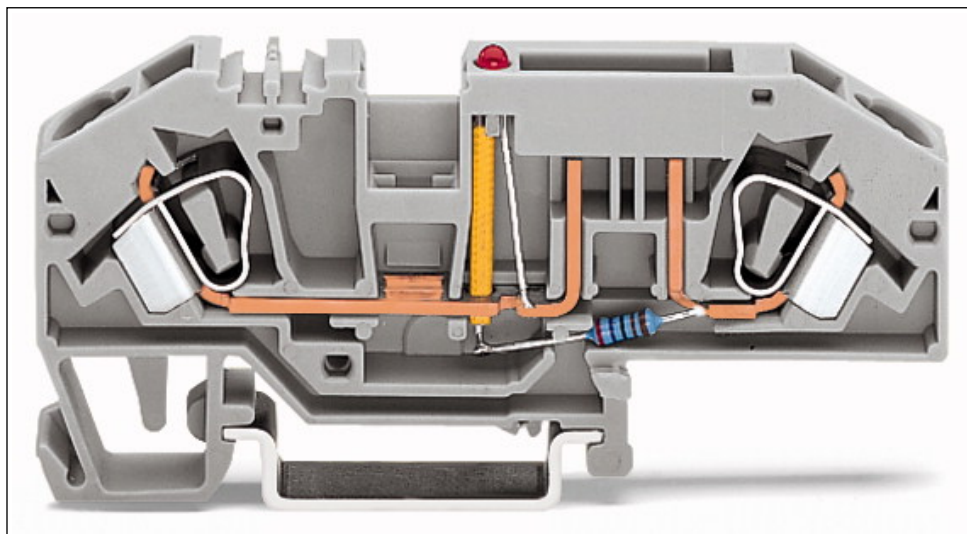
#### Miscellaneous

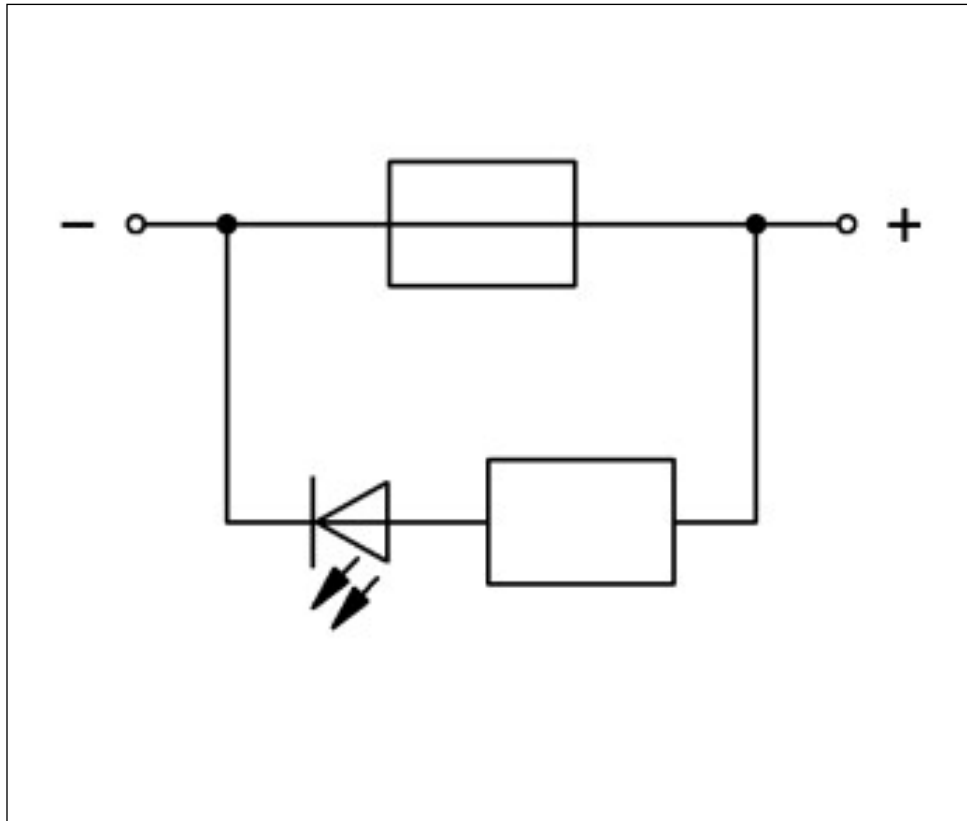
Total number of connection points	2
Total number of potentials	2
Color	gray
Pollution degree (1)	3
Rated voltage EN (1) [V]	400 [V]
Rated surge voltage (1) [kV]	6 [kV]
Nominal current [A]	25 [A]

Printview: 2-conductor fuse terminal block for mini-automotive blade-style fuses; with test option; 24 V; with blown fuse indication by led; Power consumption LED: 4.8 mA - Item No.: 282-698/281-413

<b>Technical data</b>	
<i>Nominal current (2) [A]</i>	<i>30 [A]</i>
<i>Connection technology (1)</i>	<i>CAGE CLAMP®</i>
<i>Solid sizes 1</i>	<i>0.2 ... 6 mm<sup>2</sup> / 24 ... 10 AWG</i>
<i>Fine-stranded wires 1</i>	<i>0.2 ... 6 mm<sup>2</sup> / 24 ... 10 AWG</i>
<i>Strip length 1</i>	<i>12 ... 13 mm / 0.47 ... 0.51 in</i>
<i>Type of wiring</i>	<i>Front-entry wiring</i>
<i>Design</i>	<i>angled</i>
<i>Marking level</i>	<i>Center marking</i>
<i>Insulating material</i>	<i>Polyamide 66 (PA 66)</i>
<i>Fire load [MJ]</i>	<i>0.299 [MJ]</i>
<i>Weight [g]</i>	<i>17.626 [g]</i>
<i>Width</i>	<i>8 mm / 0.315 in</i>
<i>Height from upper-edge of DIN-rail [mm]</i>	<i>33.5 [mm]</i>
<i>Height from upper-edge of DIN-rail</i>	<i>33.5 mm / 1.319 in</i>
<i>Length</i>	<i>85 mm / 3.346 in</i>
<i>Type of mounting</i>	<i>DIN 35 rail</i>

Images & drawings





#### Address

WAGO Kontakttechnik GmbH & Co. KG

Hansastr. 27

32423 Minden

Telefon: 0571/887-0

Fax: 0571/887-169

<http://www.wago.com>

© WAGO Kontakttechnik GmbH & Co. KG

Technische Änderungen und Irrtümer vorbehalten.

## X-ON Electronics

Largest Supplier of Electrical and Electronic Components

*Click to view similar products for [itt manufacturer](#):*

Other Similar products are found below :

[BKAF3-68102-25](#) [MS3106E22-14P](#) [MS3106E22-22PY](#) [MS3100E22-22P](#) [MS3106E22-22PX](#) [MDM-37PCBR-F222](#) [CA3108E14S-5PBA176A232](#) [KPSE06F20-41SA206F0](#) [CB2-18-3SCA232](#) [KPSE00F106PWF0](#) [KPSE00F10-6P-FO](#) [CT6E18-11SCA206](#) [CA3101E10SL-4SF80DN](#) [MS3100F14S-7S](#) [CA3101E10SL-4PBA176F42](#) [MS3101E181SW](#) [KPSE00E10-6PW](#) [024251-0016-R](#) [024253-0025](#) [024265-0001](#) [024270-0015](#) [024271-0022](#) [024273-0043](#) [024288-0001](#) [M24308/24-21F](#) [M24308/24-33Z](#) [CT1F22-7SS](#) [CT2-20-23SWS](#) [CT2-20-23SXS](#) [CT2-36-10PCAU](#) [CT6-24-11PSA206](#) [CT6F36-10PCA152](#) [CT6F9767-14-4-14S-5PC](#) [CT6T9767-14-4-14SA7SS](#) [D38999/20FG16PA-LC -](#) [MD1-21PS](#) [MDM-15PH001B-A174](#) [MDM-15PH003B-A174](#) [MDM-21SCBR-A174](#) [MDM-21SCBRP-A174](#) [MDM-21SH003B](#) [MDM25PH003BF222](#) [MDM-31SBRP](#) [MDM-37PBRT](#) [MDM37SH004PA174](#) [MDM-37SH013P](#) [MDM-51PSF](#) [MDM-51SCBRPL56](#) [MDM96514-336](#) [MDM-9PCBRM7](#)