

Relay module; Relay, pre-soldered; relay with 1 make contact (1A)

Item No.: 288-364



Relay module; Relay, pre-soldered; relay with 1 make contact (1A)

Marking

RoHS ✓
Compliant

Business data

Supplier	WAGO
Item no.	288-364
GTIN / EAN	4045454468040
Content	1
Order amount	1
Customer item number	

Notes

Short description: Equipped with relay and PLC interface modules, WAGO DIN-rail mount carriers provide fast and easy peripheral signal connections. The fully wired modules, each with up to 16 high-performance relay outputs, provide direct, in-the-field switching of actuators and other coupling elements. To extend product life and increase machine uptime, each carries integrated recovery and reverse voltage protection diodes.

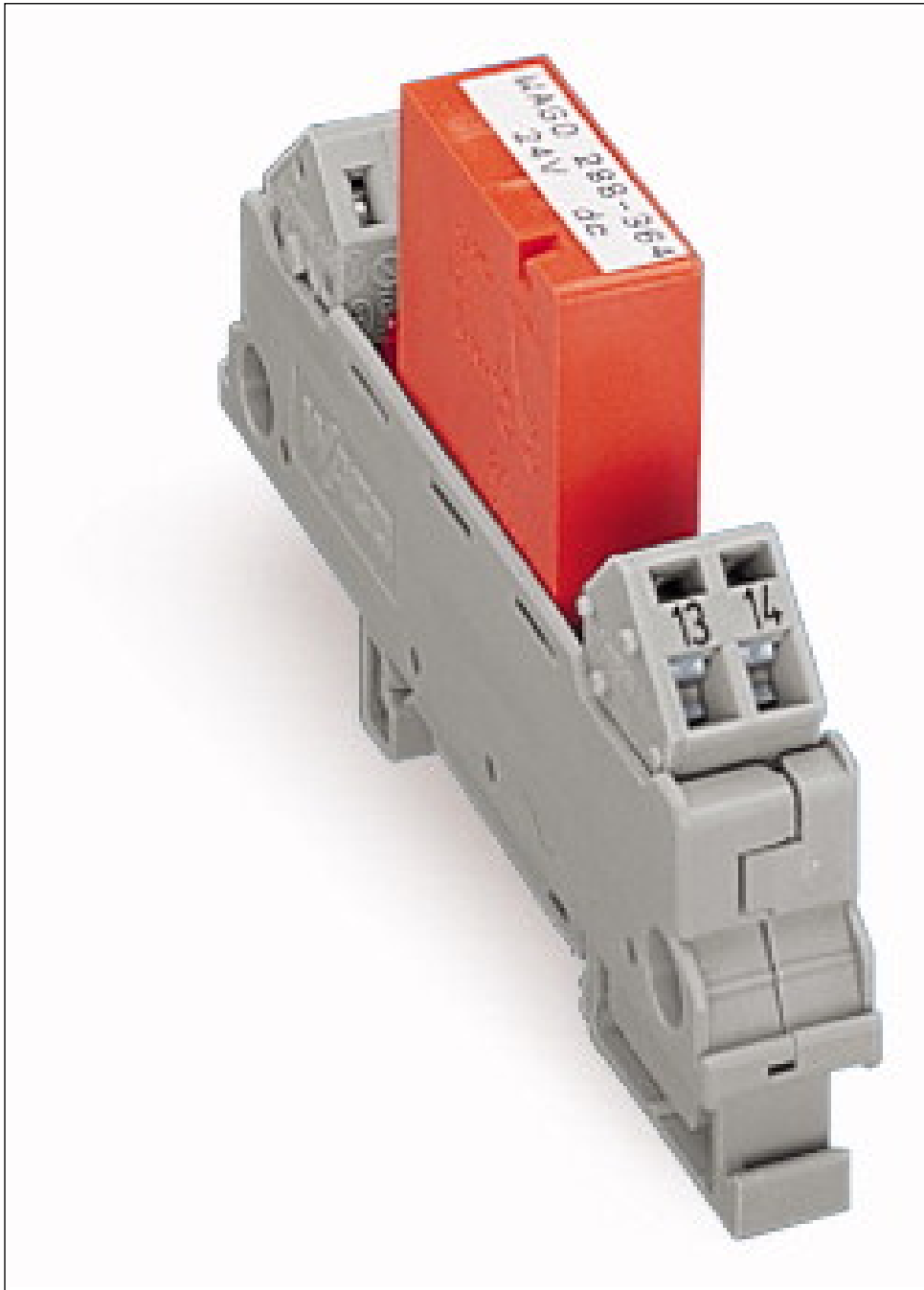
Technical data

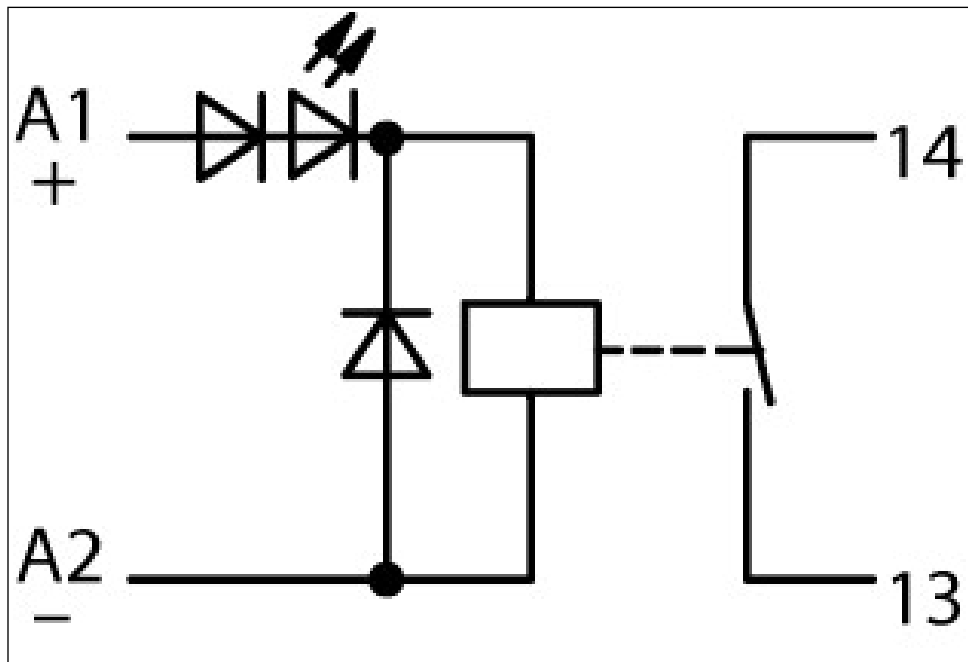
Miscellaneous

Color	gray
Conformity marking	CE
Pollution degree (1)	2
Rated voltage EN (1) [V]	250 [V]
Rated surge voltage (1) [kV]	4 [kV]
Pull-in time (typ.) [ms]	4 [ms]
Mechanical life	30 x 10 ⁶ switching operations

Technical data	
<i>Drop-out time (typ.) [ms]</i>	<i>6 [ms]</i>
<i>Nominal input current I_N</i>	<i>16 mA</i>
<i>Wire connection 1</i>	<i>WAGO 236 Series</i>
<i>Operating power</i>	<i>500 mW</i>
<i>Max. switching voltage</i>	<i>250 VDC / 250 VAC</i>
<i>Bounce time (typ) [ms]</i>	<i>2 [ms]</i>
<i>Dielectric strength, contact-coil (AC, 1 min) [kVrms</s></i>	<i>4 [kVrms]</i>
<i>Mechanical life at max. load (resistance)</i>	<i>2 x 10⁵ switching operations</i>
<i>Nominal input voltage V_N</i>	<i>24 VDC</i>
<i>Max. continuous current</i>	<i>5 A</i>
<i>Max. make current</i>	<i>4 s, 16 A</i>
<i>Max. break current [A]</i>	<i>8 [A]</i>
<i>Pull-in power (mW) [mW]</i>	<i>240 [mW]</i>
<i>Connection technology (1)</i>	<i>CAGE CLAMP®</i>
<i>Solid sizes 1</i>	<i>0.08 ... 2.5 mm² / 28 ... 12 AWG</i>
<i>Strip length 1</i>	<i>5 ... 6 mm / 0.2 ... 0.24 in</i>
<i>Contact material</i>	<i>AgNi 0,15</i>
<i>Weight [g]</i>	<i>30.6 [g]</i>
<i>Width</i>	<i>13 mm / 0.512 in</i>
<i>Height from upper-edge of DIN-rail [mm]</i>	<i>47 [mm]</i>
<i>Height from upper-edge of DIN-rail</i>	<i>47 mm / 1.85 in</i>
<i>Length</i>	<i>85 mm / 3.346 in</i>
<i>Standards/specifications</i>	<i>EN 60664-1</i>
<i>Type of mounting</i>	<i>DIN 35 rail</i>
<i>Ambient operating temperature at V_N</i>	<i>-25 °C ... +40 °C</i>

Images & drawings





Address

WAGO Kontakttechnik GmbH & Co. KG

Hansastr. 27

32423 Minden

Telefon: 0571/887-0

Fax: 0571/887-169

<http://www.wago.com>

© WAGO Kontakttechnik GmbH & Co. KG

Technische Änderungen und Irrtümer vorbehalten.

X-ON Electronics

Largest Supplier of Electrical and Electronic Components

Click to view similar products for [General Purpose Relays](#) category:

Click to view products by [Wago](#) manufacturer:

Other Similar products are found below :

[APF30318](#) [JVN1AF-4.5V-F](#) [PCN-105D3MHZ](#) [5JO-10000S-SIL](#) [5JO-1000CD-SIL](#) [5JO-400CD-SIL](#) [LY2S-AC220/240](#) [LYQ20DC12](#)
[6031007G](#) [6131406HQ](#) [6-1393099-3](#) [6-1393099-8](#) [6-1393122-4](#) [6-1393123-2](#) [6-1393767-1](#) [6-1393843-7](#) [6-1415012-1](#) [6-1419102-2](#) [6-](#)
[1423698-4](#) [6-1608051-6](#) [6-1608067-0](#) [6-1616170-6](#) [6-1616248-2](#) [6-1616282-3](#) [6-1616348-2](#) [6-1616350-1](#) [6-1616350-8](#) [6-1616358-7](#) [6-](#)
[1616359-9](#) [6-1616360-9](#) [6-1616931-6](#) [6-1617039-1](#) [6-1617052-1](#) [6-1617090-2](#) [6-1617090-5](#) [6-1617347-5](#) [6-1617353-3](#) [6-1617801-8](#) [6-](#)
[1617802-2](#) [6-1618107-9](#) [6-1618248-4](#) [M83536/1-027M](#) [CX-4014](#) [MAHC-5494](#) [MAVCD-5419-6](#) [703XCX-120A](#) [7-1393100-5](#) [7-1393111-7](#)
[7-1393144-5](#) [7-1393767-8](#)