

# PROFIBUS DP/V1 Fieldbus Coupler

12 Mbaud; digital and analog signals

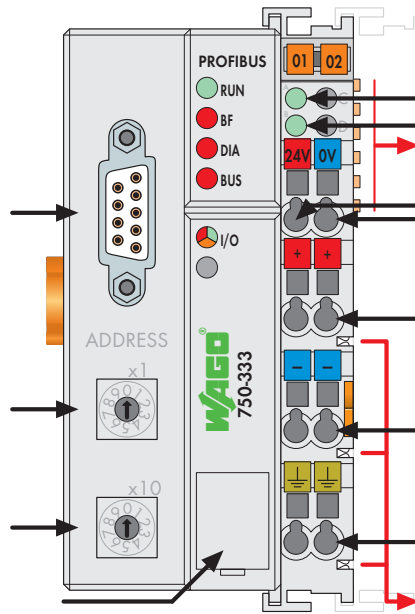


Fieldbus connection D-Sub

Address

Address

Configuration interface



Status voltage supply  
-System  
-Power jumper contacts

Data Contacts

Supply  
24 V  
0 V

Supply via power jumper contacts  
24 V

0 V

Power jumper contacts

This buscoupler interfaces the I/O modules of the WAGO-I/O-SYSTEM to PROFIBUS DP.

When initializing, the buscoupler determines the module structure of the node, to create the process image in PROFIBUS. In order to optimize addresses, the I/O modules with a bit width smaller than 8 are grouped in one byte.

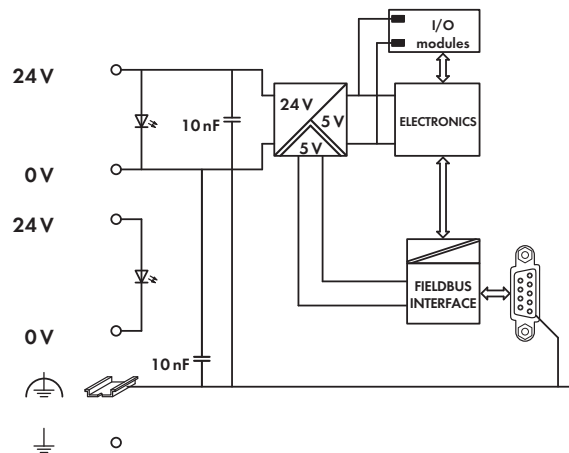
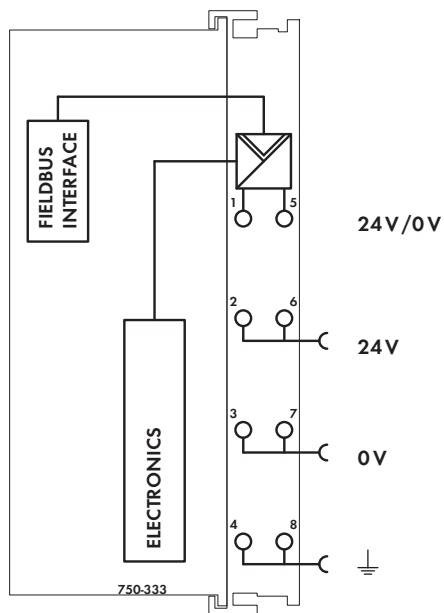
It is furthermore possible to deactivate I/O modules and to modify the image of the node according to the connected signals without having to modify the existing application.

The diagnosis concept is based on diagnostics according to the EN 50170 standard. Therefore the programming of modules is not necessary to interpret the diagnostic information from each manufacturer.

**Notice: GSD files required**

Description	Item No.	Pack. Unit
PROFIBUS DP/V1 12Mbd	750-333	1
PROFIBUS DP/V1/T	750-333/025-000	1
Extended temperature range: -20 °C ... +60 °C		
<b>Accessories</b>		
<b>GSD files</b>	Download: <a href="http://www.wago.com">www.wago.com</a>	
<b>Miniature WSB Quick marking system</b>		
	plain	248-501
	with marking	see Section 11
<b>Standards and Approvals</b>		
Standard	EN 50170	
Conformity marking	CE	
Korea Certification	KC	
Marine applications (versions upon request)	ABS, BV, DNV, GL, KR, LR, NKK, PRS, RINA	
UL 508	Class I, Div. 2, Grp. ABCD, T4	
ANSI/ISA 12.12.01	Ex nA IIC T4 Gc	
TÜV 12.1297 X (Brazil)	I M2 Ex d I Mb,	
TÜV 07 ATEX 554086 X	II 3 G Ex nA IIC T4 Gc,	
	II 3 D Ex tc IIIC T135°C Dc	
IECEx TUN 09.0001 X	Ex d I Mb,	
	Ex nA IIC T4 Gc,	
	Ex tc IIIC T135°C Dc	

System Data	
No. of couplers connected to Master	96 with repeater
Max. no. of I/O points	approx. 6000 (depends on master)
Transmission medium	Cu cable acc. to EN 50170
Max. length of fieldbus segment	100 m ... 1200 m (depends on baud rate/cable)
Baud rate	9.6 Kbaud ... 12 Mbaud
Transmission time	typ. 1 ms (10 couplers; 32 digital I/Os per coupler at 12 Mbaud) max. 3.3 ms
Buscoupler connection	1 x D-Sub 9; socket



Technical Data		General Specifications	
Number of I/O modules	63	Operating temperature	0 °C ... +55 °C
Max. input process image	244 bytes	Wire connection	CAGE CLAMP®
Max. output process image	244 bytes	Cross sections	0.08 mm <sup>2</sup> ... 2.5 mm <sup>2</sup> / AWG 28 ... 14
Configuration	via PC or PLC	Strip lengths	8 ... 9 mm / 0.33 in
Power supply	24 V DC (-25 % ... +30 %)	Dimensions (mm) W x H x L	51 x 65 x 100
Max. input current (24 V)	500 mA		Height from upper-edge of DIN 35 rail
Power supply efficiency	87 %	Weight	183.1 g
Internal current consumption (5 V)	200 mA	Storage temperature	-25 °C ... +85 °C
Total current for I/O modules (5 V)	1800 mA	Relative air humidity (no condensation)	95 %
Isolation	500 V system/supply	Vibration resistance	acc. to IEC 60068-2-6
Voltage via power jumper contacts	24 V DC (-25 % ... +30 %)	Shock resistance	acc. to IEC 60068-2-27
Current via power jumper contacts (max.)	10 A DC	Degree of protection	IP20
		EMC immunity of interference	acc. to EN 61000-6-2, marine applications
		EMC emission of interference	acc. to EN 61000-6-4, marine applications

## X-ON Electronics

Largest Supplier of Electrical and Electronic Components

*Click to view similar products for [wago manufacturer](#):*

Other Similar products are found below :

[750-460](#) [231-118/026-000](#) [231-303/026-000](#) [231-620/019-000](#) [257-403](#) [280-438](#) [280-831](#) [284-624](#) [210-111](#) [231-303/037-000](#) [231-446/001-000\\_NR](#) [232-216/026-000](#) [234-510](#) [264-726](#) [280-339](#) [0283-0671](#) [830-800/000-305](#) [750-512](#) [750-455](#) [51251782](#) [286-312](#) [713-1428/107-000](#) [731-138/048-000](#) [750-459](#) [750-517](#) [750-602](#) [793-3505](#) [826-172](#) [859-304](#) [280-335](#) [231-535/001-000](#) [2604-1105](#) [2604-1106](#) [2604-1504](#) [2606-1103/020-000](#) [2624-1103](#) [2626-3103/020-000](#) [821-104](#) [713-1107](#) [852-1411](#) [2106-1307](#) [2116-5307](#) [832-1205](#) [832-3604](#) [2009-110](#) [281-512/281-501](#) [286-336](#) [750-421](#) [750-838](#) [753-559](#)