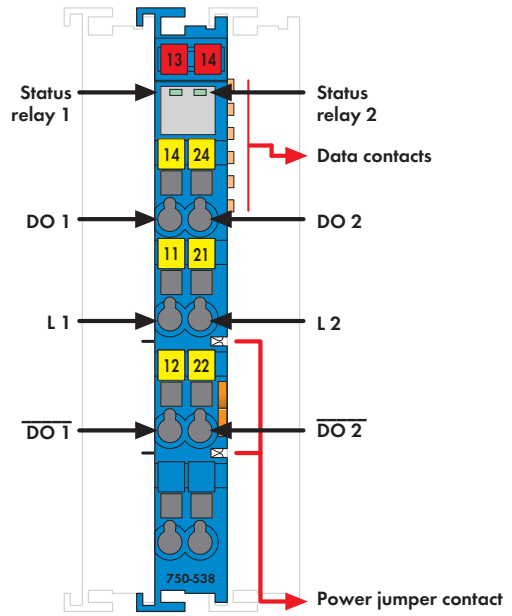


2-Channel Relay Output Module 100 V AC, 30 V DC, Ex i

Isolated outputs; 2 changeover contacts




Delivered without miniature WSB markers

The digital output module switches intrinsically safe circuits of Zone 0+1 (e.g., magnetic valves, contactors, optical/acoustic encoders). The internal system voltage triggers the relay. Both maximum switching current and voltage must comply with EN 60079-11. The switched status of the relays is shown by a LED. The NO contacts are electrically isolated. The WAGO-I/O-SYSTEM 750 must be installed either in Zone 2 or in a non-hazardous area.

Note: The digital output module must only be operated via Ex i 24VDC power supply!

General information (e.g., installation regulations) on explosion protection is available in the WAGO-I/O-SYSTEM 750 manuals!

Description	Item No.	Pack. Unit
2DO RELAY Ex i	750-538	1
Accessories		
Miniature WSB Quick marking system		
 plain	248-501	5
with marking	see Section 11	

Technical Data	
No. of outputs	2 changeover contacts
Current consumption, system voltage typ. (5 VDC)	26 mA
Voltage via power jumper contacts	24 V DC (provided via Ex-i supply $U_o = \text{max. } 27.3 \text{ V}$)
Type of load	resistive, inductive, lamps
Max. switching frequency	20/min
Max. switching voltage	100 V AC / 30 V DC
Max. switching current	0.5 A AC / 1 A DC
Min. switching current	0.01 mA / 10 mV DC
Switching power	50 VA / 30 W
Pull-in time (max.)	4 ms
Drop-out time (max.)	4 ms
Contact material	Silver alloy, gold-plated
Mechanical life (min.)	1×10^8 switching operations
Electrical life (min.)	1×10^5 (0.5 A / 100 V AC) 2×10^5 (1 A / 30 V DC)
Isolation	$V_M = 375 \text{ V}$ system/supply
Power consumption $P_{max.}$	0.8 W
Power loss P_V	0.8 W
Bit width	2 bits (status)

X-ON Electronics

Largest Supplier of Electrical and Electronic Components

Click to view similar products for [Controllers](#) category:

Click to view products by [Wago](#) manufacturer:

Other Similar products are found below :

[CV500SLK21](#) [81550401](#) [H2CRSAC110B](#) [R88A-CRGB003CR-E](#) [R88ARR080100S](#) [R88A-TK01K](#) [MR-50LF+](#) [E53E01](#) [E53E8C](#)
[E5C4Q40J999FAC120](#) [E5GNQ03PFLKACDC24](#) [B300LKL21](#) [NSCXDC1V3](#) [NT20SST122BV1](#) [C40PEDRA](#) [K31S6](#) [K3TX-AD31A](#)
[89750101](#) [L595020](#) [SRM1-C02](#) [26546803](#) [26546805](#) [H7HP-C8D](#) [PWRA440A](#) [CPM1AETL03CH](#) [3G2A5BI081](#) [3G2A5IA122](#)
[3G2A5LK010E](#) [3G2A5OA223](#) [3G2A5OD211](#) [3G2A5PS223E](#) [3G2A5RM001EV1](#) [3G2A5RT002EV1](#) [3G2A5SP002](#) [3G2A6-ID217](#)
[3G2A6LK202EV1](#) [3G2A9AL004E](#) [32-436](#) [C200HETL01E](#) [C200PCPD024](#) [KM50-E1-FLK](#) [3G2A5AD001](#) [3G2A5BI051](#) [3G2A5IA121](#)
[3G2A5ID112](#) [3G2A5ID213](#) [3G2A5ID219](#) [3G2A5MR431](#) [3G2A5OC221](#) [3G2A5PS222E](#)