

**WINSTA®**

Full Line Catalog 2008/2009

**ELECTRICAL  
INTERCONNECTIONS**

5

**WAGO®**  
INNOVATIVE CONNECTIONS

**Contents** FULL LINE CATALOG W4, Volume 1 • Rail-Mounted Terminal Block Systems

|                                   |  |
|-----------------------------------|--|
| Rail-Mounted Terminal Blocks      |  |
| X-COM®-SYSTEM                     |  |
| Terminal Strips                   |  |
| Patchboard Systems                |  |
| Shield (Screen) Connecting System |  |

**Contents** FULL LINE CATALOG W4, Volume 2 • PCB Terminal Blocks and Connectors

|                                     |  |
|-------------------------------------|--|
| PCB Terminal Blocks                 |  |
| Feedthrough Terminal Blocks         |  |
| PCB Connectors                      |  |
| Connectors for Special Applications |  |

**Contents** Full Line Catalog 2008/2009 • I/O SYSTEM

|                                                         |  |
|---------------------------------------------------------|--|
| Modular I/O SYSTEM IP20 / IP67                          |  |
| Radio Technology                                        |  |
| AS-Interface I/O SYSTEM IP20/67 ; Block I/O SYSTEM IP67 |  |
| Sensor/Actuator Boxes IP67                              |  |
| Cables and Connectors IP67                              |  |
| Power Supplies                                          |  |

**Contents** Full Line Catalog 2008/2009 • Interface Modules

|                                               |  |
|-----------------------------------------------|--|
| Interface Modules                             |  |
| Sensor/Actuator Boxes IP67                    |  |
| Radio Technology                              |  |
| Overvoltage Protection                        |  |
| Power Supplies                                |  |
| Empty Housings and DIN-Rail Mounting Carriers |  |

1



**WINSTA® MINI** 890/891 Series, 2 and 3 Poles  
Connectors, Snap-In Device Connectors, Distribution Connectors, Cable Assemblies

1

2



**WINSTA® MIDI** 770/771 Series, 3, 4, 5, 6 and 7 Poles  
Connectors, Snap-In Device Connectors, PCB Connectors, Distribution Connectors, Cable Assemblies

2

3



**WINSTA® MAXI** 831 Series, 5 poles  
Connectors

3

4



**WINSTA® RD** 774 Series, 3 and 4 Poles  
Cable Assemblies

4

5



**WINSTA® KNX** 893/894 Series, 2 Poles  
Connectors, Snap-In Device Connectors, Distribution Connectors, Cable Assemblies

5

6



**WINSTA® IDC** 772/893/895/896/897 Series  
Supply and Tap-Off Modules for Flat Cables

6

7



**Tools and Marking Accessories**  
Screwdrivers, Stripping Tools, Cable Cutters, Stripping Pliers, Marker Strips

7

8



**System Partners**  
for Lighting Fixtures, Office Furniture, Installations

8

9



**Reference Projects**  
Office Buildings, Rolling Stock, Marine Applications, Motor Homes, Trade Show Design, ...

9

10



**Technical Section**  
Coding System, Your Questions - Our Answers, Technical Data, Item Numbers, Index, Addresses

10

# WINSTA® – New Products

## WINSTA® MINI

For use in applications where space is limited

- Sensors (switches, push buttons, window contacts, pressure switches, temperature sensors...)
- Actuators (control valves, magnetic valves, servo motors, blinds/sun protection...)
- Protection class II for halogen lamps and luminaires
- Control signals
- 1.5 mm<sup>2</sup>/AWG 16, 250 V, 16 A



## WINSTA® MIDI

For the majority of applications

- General building installation, especially for modern functional buildings
- Standard lighting fixtures and safety lights
- Tradeshow and shop installation
- Caravan construction
- Lab work stations
- Rolling stock
- Marine applications
- 4 mm<sup>2</sup>/AWG 12, 250/400 V, 25 A



## WINSTA® MAXI

For more power

- Power supply via 6 mm<sup>2</sup>/AWG 10 cable due to extended cable runs
- 32 A power supply in distribution boxes for high energy demands
- 6 mm<sup>2</sup>/AWG 10 250/400 V, 32 A



**WINSTA® -**  
**The perfect connection!**

Under-floor distribution boxes



# Enhance The System

## WINSTA® KNX

For the standardized bus

- KNX/EIB
- Control signals
- Ø 0.8 mm/0.031 in, 50 V, 3 A



## WINSTA® IDC

For a high degree of flexibility

- Supply and tap off is possible at any time and at any location from the flat cable. No cutting, no need to remove outer or inner insulation → thus very user-friendly
- A 120° rotation is all that is required to connect the flat cable
- Space saving across the flat cable through longitudinal tap off
- 2.5/4 mm<sup>2</sup>/AWG 14/12 400 V, 25 A
- 10 mm<sup>2</sup>/AWG 8 690 V, 57 A
- 16 mm<sup>2</sup>/AWG 6 690 V, 76 A



## WINSTA® RD

For round conduits and ducts

- External diameter of 17.5 mm/0.68 in allows for use in wiring conduits with an internal diameter > 18 mm/0.70 in
- Prefabricated houses
- Recessed luminaires
- Wall and ceiling cutouts



Cable ducts



Lighting



# WINSTA® IDC – with New

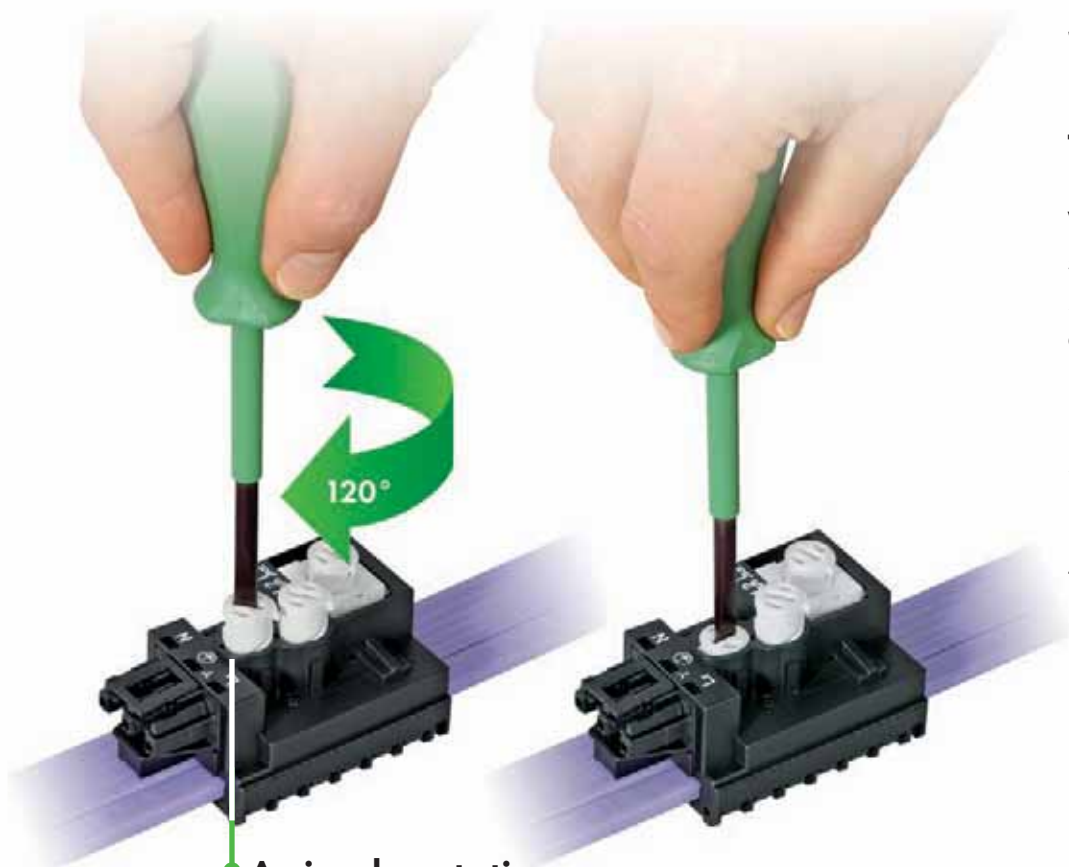
## WINSTA® – The

### The new dimension

WINSTA® IDC/MIDI,  
system for flat cables  
2.5 mm<sup>2</sup>/AWG 14  
and 4 mm<sup>2</sup>/AWG 12  
up to 25 A

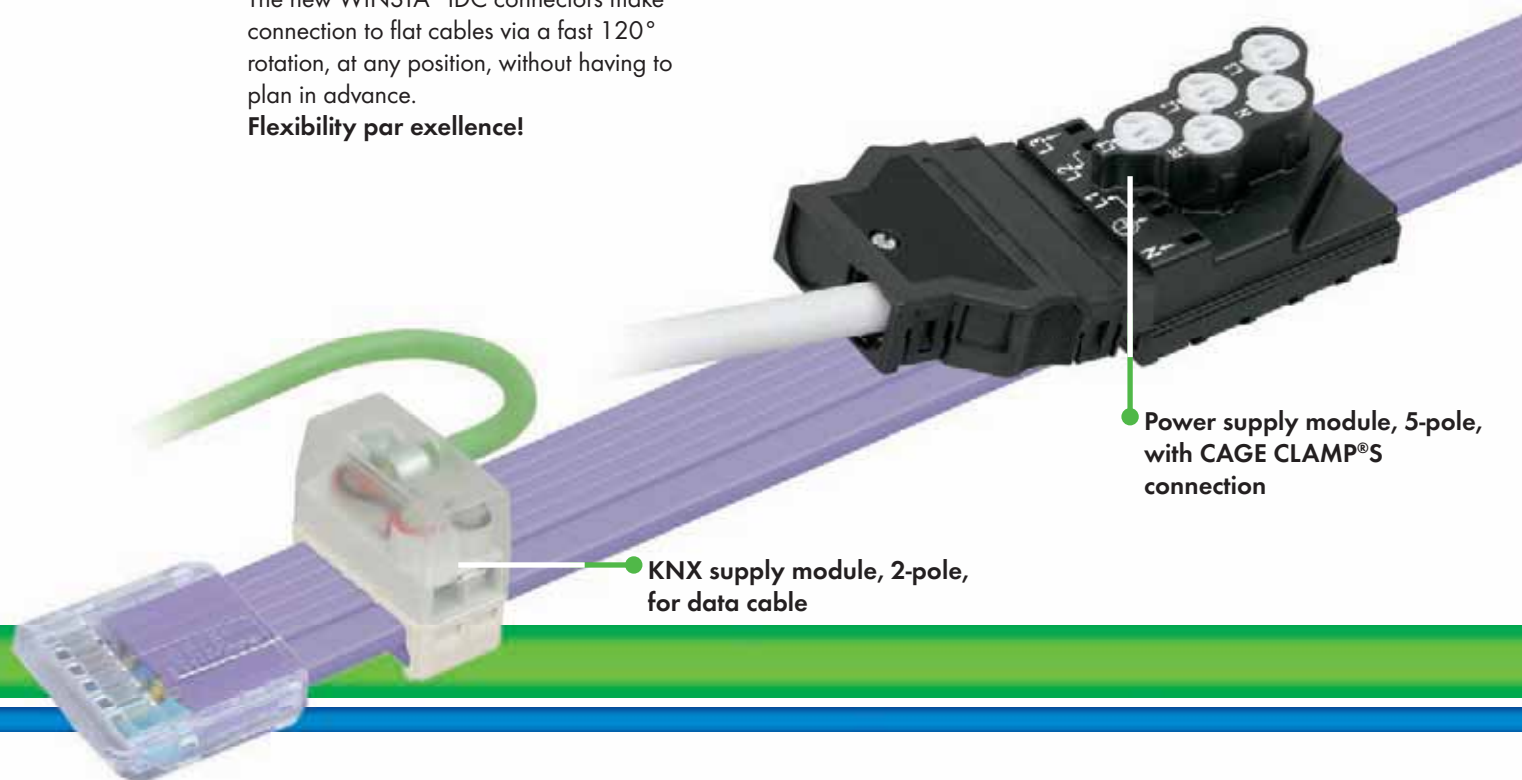
### Space saving

Pluggable tap-off modules **along**  
the flat cable



### A simple rotation connects

The new WINSTA® IDC connectors make  
connection to flat cables via a fast 120°  
rotation, at any position, without having to  
plan in advance.  
**Flexibility par excellence!**



Power supply module, 5-pole,  
with CAGE CLAMP®  
connection

KNX supply module, 2-pole,  
for data cable

# Ideas Perfectly Detailed

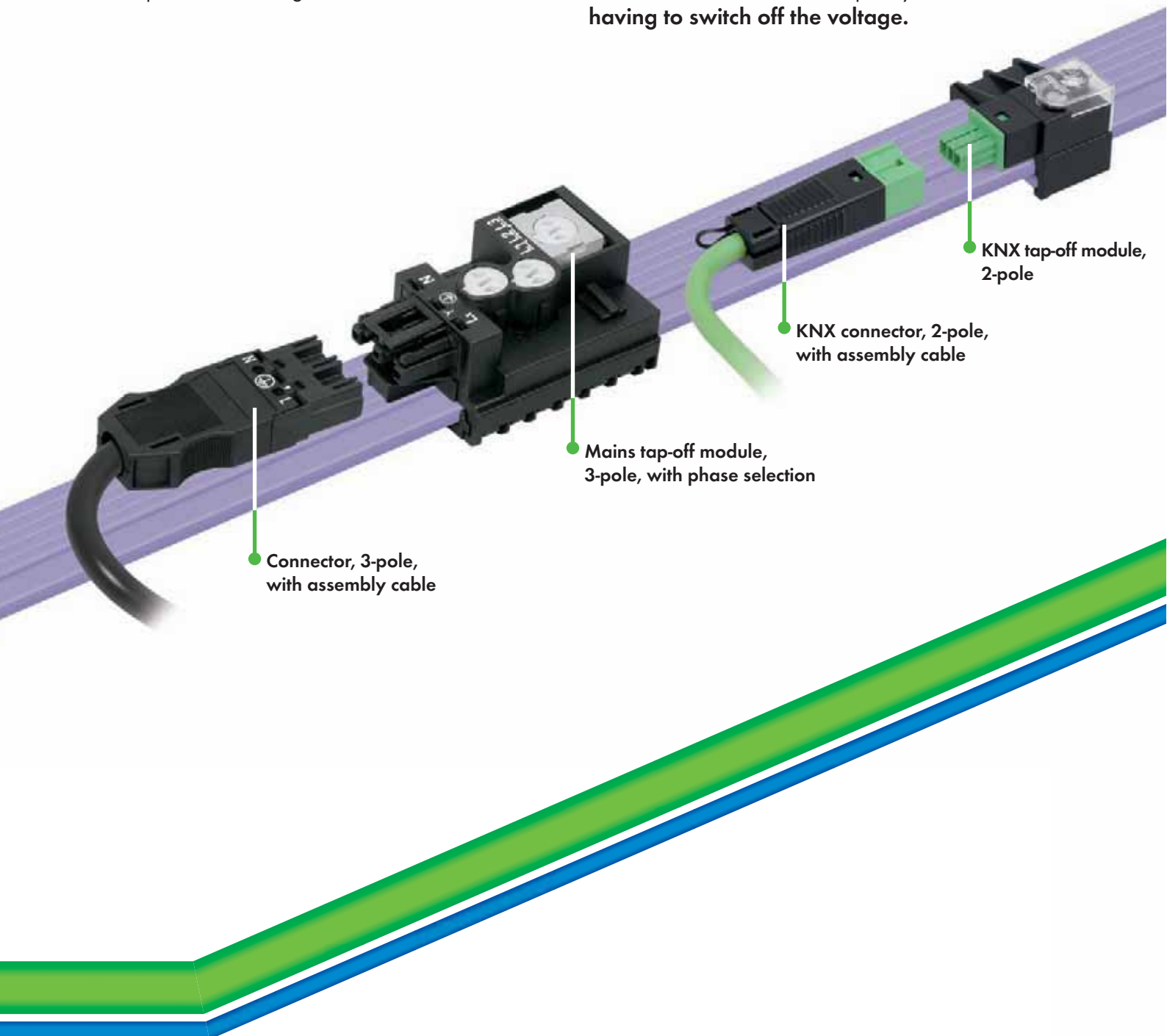
## Only Choice for Perfect Building Installations

### With integrated phase selection

**Very important feature**, especially for flat cables with long cable runs and a large number of taps off, of differing loads.

### Fully insulated

Using tap-off modules from the 772 Series WINSTA® IDC/MIDI system, additional loads can also be connected subsequently **without having to switch off the voltage**.



Connector, 3-pole,  
with assembly cable

Mains tap-off module,  
3-pole, with phase selection

KNX connector, 2-pole,  
with assembly cable

KNX tap-off module,  
2-pole

# WINSTA<sup>®</sup> – New Benefits

## Maximum Time Savings

- Completely designed with CAGE CLAMP<sup>®</sup>S connection
- Quality-checked cable assemblies
- Fast IDC tap-off



## Utmost Flexibility

- Product diversity provides individual solutions
- Equal phase loading and simple and easy phase switching if designs change
- Circuit distributors instead of junction boxes



|                          |                                   |                   |
|--------------------------|-----------------------------------|-------------------|
| WINSTA <sup>®</sup> MINI | up to 1.5 mm <sup>2</sup> /AWG 16 | up to <b>16 A</b> |
| WINSTA <sup>®</sup> MIDI | up to 4 mm <sup>2</sup> /AWG 12   | up to <b>25 A</b> |
| WINSTA <sup>®</sup> MAXI | up to 6 mm <sup>2</sup> /AWG 10   | up to <b>32 A</b> |
| WINSTA <sup>®</sup> IDC  | up to 16 mm <sup>2</sup> /AWG 6   | up to <b>76 A</b> |



# for All Applications

## Maximum Safety

- 100% protected against mismatching
- Fixed and variable coding system
- Touch-safe/finger-safe



## Optimal Benefits

- Receptive to new customer designs and specifications
- Sophisticated logistic support from concept to delivery
- Professional project-related consulting





**890 Series**  
Connectors, 2 Poles  
Connectors, 3 Poles

10 – 11  
16 – 17



**890 Series**  
Snap-In Device Connectors, 2 Poles  
Snap-In Device Connectors, 3 Poles

12  
18



**890 Series**  
Distribution Connectors, 2 Poles  
Distribution Connectors, 3 Poles

13  
19

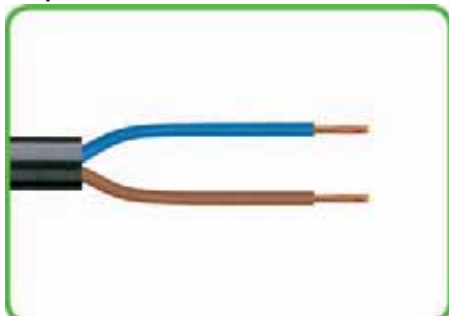


**891 Series**  
Cable Assemblies, 2 Poles  
Cable Assemblies, 3 Poles

14 – 15  
20

# Handling WINSTA® MINI 890 Series

## Preparation



- 1. Strip length, outer insulation = 30 mm / 1.18 in
- 2. Strip length = 9 mm / 0.31 in

## Wire connection with CAGE CLAMP®S



Actuate the clamp using a screwdriver (blade width 2.5 mm/0.098 in) to connect flexible conductors and insert the stripped conductor up to the stop. Solid conductors can be plugged directly.

## Strain relief assembly



Latch wired connector onto the base of the strain relief housing.



Push down strain relief clamp by hand.



Push down strain relief clamp with a screwdriver (blade width 2.5 mm/0.098 in) alternately on both sides.

## Strain relief assembly



Latch the top of the strain relief housing.

## Locking lever assembly

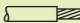
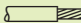


All products for fixed installations (snap-in versions, distribution connectors) are equipped with locking levers ex-factory, so that the plugs or sockets are always locked. Additional locking levers are only required for "flying leads" (plug/socket).

## Marking





The printed marking of the connector is clearly visible in the opening of the strain relief housing.

|                                                                                                                                                                                         |                    |                                                                                                                                                                                           |                    |
|-----------------------------------------------------------------------------------------------------------------------------------------------------------------------------------------|--------------------|-------------------------------------------------------------------------------------------------------------------------------------------------------------------------------------------|--------------------|
| <p>0.25 – 1.5 mm<sup>2</sup> ①<br/>250 V/4 kV/3<br/>16 A</p> <p> 9 mm / 0.35 in</p> <p>② Approvals</p> | <p>AWG 22 - 16</p> | <p>0.25 – 1.5 mm<sup>2</sup> ①<br/>250 V/4 kV/3<br/>16 A</p> <p> 9 mm / 0.35 in</p> <p>② Approvals</p> | <p>AWG 22 - 16</p> |
|-----------------------------------------------------------------------------------------------------------------------------------------------------------------------------------------|--------------------|-------------------------------------------------------------------------------------------------------------------------------------------------------------------------------------------|--------------------|



| Description                                          | Color                                                                                   | Item no. | Pack.-unit | Color                                                                                 | Item no. | Pack.-unit |
|------------------------------------------------------|-----------------------------------------------------------------------------------------|----------|------------|---------------------------------------------------------------------------------------|----------|------------|
| Connectors, 2 poles,<br>with CAGE CLAMP®S connection | Sockets with strain relief housing,<br>for cable diameter 3.8 - 8.2 mm / 0.15 - 0.32 in |          |            | Plugs with strain relief housing,<br>for cable diameter 3.8 - 8.2 mm / 0.15 - 0.32 in |          |            |
|                                                      | black                                                                                   | 890-102  | ● 50       | black                                                                                 | 890-112  | ● 50       |
|                                                      | white                                                                                   | 890-122  | ○ 50       | white                                                                                 | 890-132  | ○ 50       |

### Accessories

|                                                                                                                                                  |                                                                     |                                                                     |
|--------------------------------------------------------------------------------------------------------------------------------------------------|---------------------------------------------------------------------|---------------------------------------------------------------------|
| <p>Locking levers, tool operated,<br/>for "flying leads"</p>  | <p>black 890-111 100 (2 x 50)</p> <p>white 890-131 100 (2 x 50)</p> | <p>black 890-111 100 (2 x 50)</p> <p>white 890-131 100 (2 x 50)</p> |
| <p>Operating tool, insulated,<br/>2-way</p>                   | <p>890-392 1</p>                                                    | <p>890-392 1</p>                                                    |

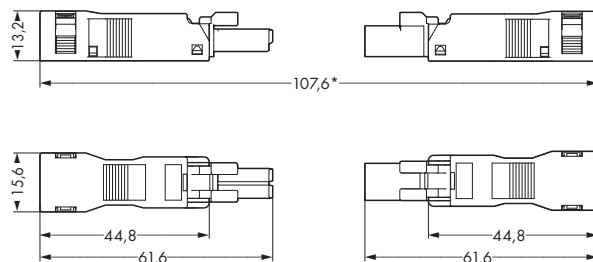
### Info

- ① Wire range: 0.25 - 1.5 mm<sup>2</sup> "s + f-st"  
0.25 - 1 mm<sup>2</sup> "stranded"
- ② Approval data can be found in the online catalog at [www.wagocatalog.com](http://www.wagocatalog.com)

- black Coding A (L+ N-)
- white Coding A (L+ N-)
- gray Coding B (1 2)
- blue Coding I (+ -)

Please find some information on the different codings on pages 146 and 147

### Dimensions



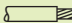
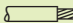
\* Overall length of the connectors in mated condition

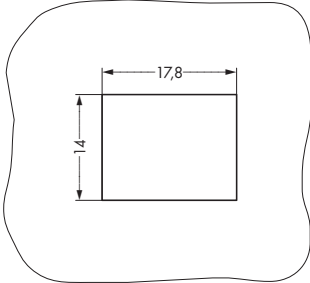


# 1 WINSTA® MINI





## Snap-In Sockets and Plugs, 2 Poles

12

|                                                                                                                               |                                                                                                                 |             |                                                                                                                   |             |
|-------------------------------------------------------------------------------------------------------------------------------|-----------------------------------------------------------------------------------------------------------------|-------------|-------------------------------------------------------------------------------------------------------------------|-------------|
| Cut-out dimensions<br><br>Sheet thickness: 0.5 mm to 2 mm (0.02 - 0.078 in)<br>Tolerance of the cut-out: + 0.1 mm / 0.0039 in | 0.25 – 1.5 mm <sup>2</sup> ①<br>250 V/4 kV/3<br>16 A                                                            | AWG 22 - 16 | 0.25 – 1.5 mm <sup>2</sup> ①<br>250 V/4 kV/3<br>16 A                                                              | AWG 22 - 16 |
|                                                                                                                               |  9 mm / 0.35 in<br>② Approvals |             |  9 mm / 0.35 in<br>② Approvals |             |



| Description                                                                  | Color   | Item no. | Pack.-unit | Color | Item no. | Pack.-unit |
|------------------------------------------------------------------------------|---------|----------|------------|-------|----------|------------|
| Connectors, snap-in device connection, 2 poles, with CAGE CLAMP®S connection | Sockets |          |            | Plugs |          |            |
|                                                                              | black   | 890-702  | ● 50       | black | 890-712  | ● 50       |
|                                                                              | white   | 890-722  | ○ 50       | white | 890-732  | ○ 50       |
|                                                                              | gray    | 890-742  | ● 50       | gray  | 890-752  | ● 50       |
|                                                                              | blue    | 890-2102 | ● 50       | blue  | 890-2112 | ● 50       |

| Accessories                                                                         |       |         |         |       |         |     |
|-------------------------------------------------------------------------------------|-------|---------|---------|-------|---------|-----|
| Lockout caps, for cut-out                                                           |       |         |         |       |         |     |
|  | black | 890-642 | 100     | black | 890-642 | 100 |
|                                                                                     | white | 890-692 | 100     | white | 890-692 | 100 |
| Mounting plates, for distribution connectors                                        |       |         |         |       |         |     |
|  |       |         |         |       |         |     |
| Fixing pin, for mounting plates,<br>5.1 x 1.5 - 2.5 mm /<br>0.2 x 0.059 - 0.098 in  |       |         |         |       |         |     |
|  |       |         |         |       |         |     |
| Operating tool, insulated,<br>2-way                                                 |       |         |         |       |         |     |
|  |       |         | 890-392 | 1     | 890-392 | 1   |

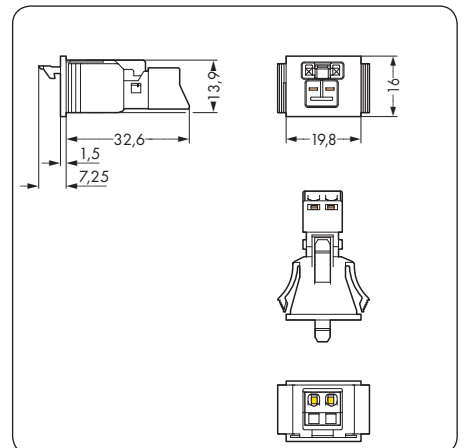
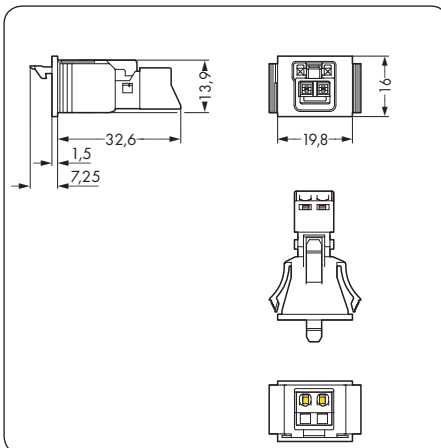
| Info | Dimensions (in mm) |
|------|--------------------|
|------|--------------------|

① Wire range: 0.25 - 1.5 mm<sup>2</sup> "s + f-st"  
0.25 - 1 mm<sup>2</sup> "stranded"

② Approval data can be found in the online catalog at [www.wagocatalog.com](http://www.wagocatalog.com)

|         |          |         |
|---------|----------|---------|
| ● black | Coding A | (L+ N-) |
| ○ white | Coding A | (L+ N-) |
| ● gray  | Coding B | (1 2)   |
| ● blue  | Coding I | (+ -)   |

Please find some information on the different codings on pages 146 and 147

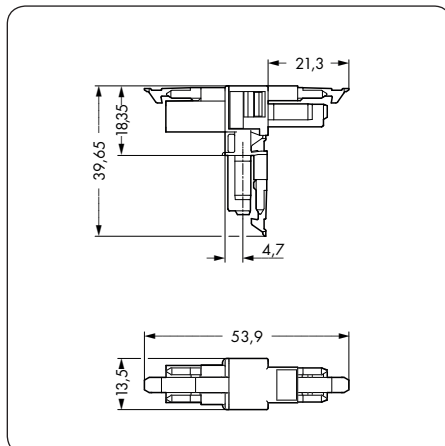
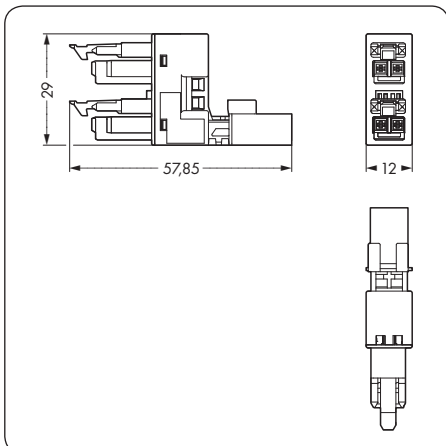
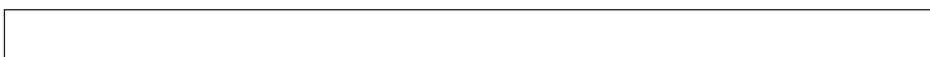



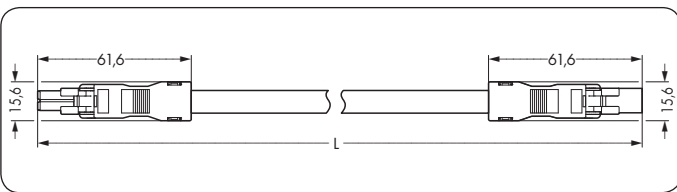

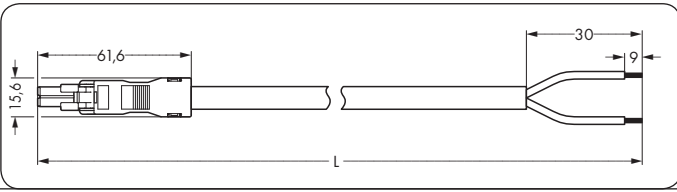

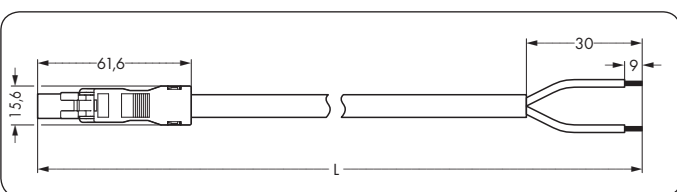

# Distribution Connectors, 2 Poles

|                                         |                                         |
|-----------------------------------------|-----------------------------------------|
| 250 V/4 kV/3<br>16 A<br><br>② Approvals | 250 V/4 kV/3<br>16 A<br><br>② Approvals |
|-----------------------------------------|-----------------------------------------|




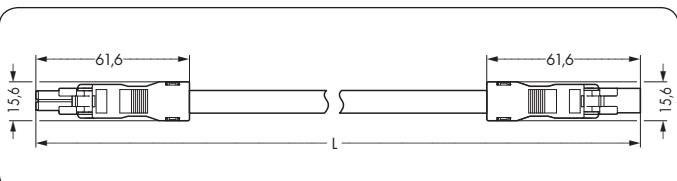

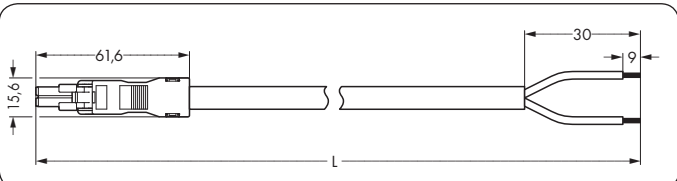

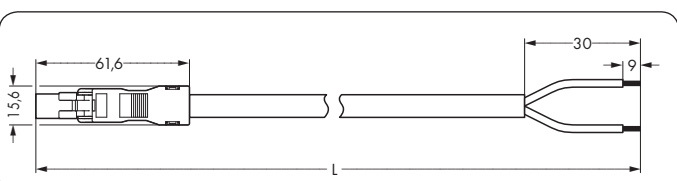

| Color                                                                        | Item no.          | Pack.-unit | Color                                                      | Item no.          | Pack.-unit |
|------------------------------------------------------------------------------|-------------------|------------|------------------------------------------------------------|-------------------|------------|
| <b>h-distribution connectors, unidirectional,<br/>plug / socket - socket</b> |                   |            | <b>T-distribution connectors<br/>1 x plug / 2 x socket</b> |                   |            |
| black                                                                        | <b>890-1634</b> ● | 50         | black                                                      | <b>890-1606</b> ● | 25         |
| white                                                                        | <b>890-1684</b> ○ | 50         | white                                                      | <b>890-1656</b> ○ | 25         |
|                                                                              |                   |            | blue                                                       | <b>890-1617</b> ● | 25         |
| for "flying leads", with 3rd locking lever                                   |                   |            | for "flying leads", with 3rd locking lever                 |                   |            |
| black                                                                        | <b>890-1636</b> ● | 50         | black                                                      | <b>890-1615</b> ● | 25         |
| white                                                                        | <b>890-1686</b> ○ | 50         | white                                                      | <b>890-1665</b> ○ | 25         |
|                                                                              |                   |            | blue                                                       | <b>890-1620</b> ● | 25         |
| black                                                                        | <b>890-1622</b>   | 100        |                                                            |                   |            |
| white                                                                        | <b>890-1672</b>   | 100        |                                                            |                   |            |
| black                                                                        | <b>890-601</b>    | 250        |                                                            |                   |            |



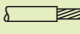
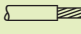
|                                                                                                                                                                                                               |  |                                                                                                                                                                                                      |                  |                |                  |                |
|---------------------------------------------------------------------------------------------------------------------------------------------------------------------------------------------------------------|--|------------------------------------------------------------------------------------------------------------------------------------------------------------------------------------------------------|------------------|----------------|------------------|----------------|
|                                                                                                                                                                                                               |  | PVC H05VV-F 2x1<br>halogen-free H05Z1Z1-F 2x1<br><br>250 V/4 kV/3 10 A<br><br>Wire ends bonded 9 mm / 0.35 in<br>① Approvals                                                                         |                  |                |                  |                |
| <b>Interconnecting cables, socket - plug</b>                                                                                                                                                                  |  | Length                                                                                                                                                                                               | Item no. black   | Item no. white | Item no. black   | Item no. white |
|                                                                                                                              |  | Coding A                                                                                                                                                                                             | ● ○              |                | PVC halogen-free |                |
|                                                                                                                               |  | 1 m                                                                                                                                                                                                  | 891-8992/005-101 | .../005-102    | 891-8992/015-101 | .../015-102    |
|                                                                                                                                                                                                               |  | 2 m                                                                                                                                                                                                  | 891-8992/005-201 | .../005-202    | 891-8992/015-201 | .../015-202    |
|                                                                                                                                                                                                               |  | 3 m                                                                                                                                                                                                  | 891-8992/005-301 | .../005-302    | 891-8992/015-301 | .../015-302    |
|                                                                                                                                                                                                               |  | 4 m                                                                                                                                                                                                  | 891-8992/005-401 | .../005-402    | 891-8992/015-401 | .../015-402    |
|                                                                                                                                                                                                               |  | 5 m                                                                                                                                                                                                  | 891-8992/005-501 | .../005-502    | 891-8992/015-501 | .../015-502    |
|                                                                                                                                                                                                               |  | 6 m                                                                                                                                                                                                  | 891-8992/005-601 | .../005-602    | 891-8992/015-601 | .../015-602    |
|                                                                                                                                                                                                               |  | 7 m                                                                                                                                                                                                  | 891-8992/005-701 | .../005-702    | 891-8992/015-701 | .../015-702    |
|                                                                                                                                                                                                               |  | 8 m                                                                                                                                                                                                  | 891-8992/005-801 | .../005-802    | 891-8992/015-801 | .../015-802    |
| <b>Connecting cables, socket - free end</b>                                                                                                                                                                   |  | Length                                                                                                                                                                                               | Item no. black   | Item no. white | Item no. black   | Item no. white |
|                                                                                                                              |  | Coding A                                                                                                                                                                                             | ● ○              |                | PVC halogen-free |                |
|                                                                                                                             |  | 1 m                                                                                                                                                                                                  | 891-8992/105-101 | .../105-102    | 891-8992/115-101 | .../115-102    |
|                                                                                                                                                                                                               |  | 2 m                                                                                                                                                                                                  | 891-8992/105-201 | .../105-202    | 891-8992/115-201 | .../115-202    |
|                                                                                                                                                                                                               |  | 3 m                                                                                                                                                                                                  | 891-8992/105-301 | .../105-302    | 891-8992/115-301 | .../115-302    |
|                                                                                                                                                                                                               |  | 4 m                                                                                                                                                                                                  | 891-8992/105-401 | .../105-402    | 891-8992/115-401 | .../115-402    |
|                                                                                                                                                                                                               |  | 5 m                                                                                                                                                                                                  | 891-8992/105-501 | .../105-502    | 891-8992/115-501 | .../115-502    |
|                                                                                                                                                                                                               |  | 6 m                                                                                                                                                                                                  | 891-8992/105-601 | .../105-602    | 891-8992/115-601 | .../115-602    |
|                                                                                                                                                                                                               |  | 7 m                                                                                                                                                                                                  | 891-8992/105-701 | .../105-702    | 891-8992/115-701 | .../115-702    |
|                                                                                                                                                                                                               |  | 8 m                                                                                                                                                                                                  | 891-8992/105-801 | .../105-802    | 891-8992/115-801 | .../115-802    |
| <b>Connecting cables, plug - free end</b>                                                                                                                                                                     |  | Length                                                                                                                                                                                               | Item no. black   | Item no. white | Item no. black   | Item no. white |
|                                                                                                                            |  | Coding A                                                                                                                                                                                             | ● ○              |                | PVC halogen-free |                |
|                                                                                                                             |  | 1 m                                                                                                                                                                                                  | 891-8992/205-101 | .../205-102    | 891-8992/215-101 | .../215-102    |
|                                                                                                                                                                                                               |  | 2 m                                                                                                                                                                                                  | 891-8992/205-201 | .../205-202    | 891-8992/215-201 | .../215-202    |
|                                                                                                                                                                                                               |  | 3 m                                                                                                                                                                                                  | 891-8992/205-301 | .../205-302    | 891-8992/215-301 | .../215-302    |
|                                                                                                                                                                                                               |  | 4 m                                                                                                                                                                                                  | 891-8992/205-401 | .../205-402    | 891-8992/215-401 | .../215-402    |
|                                                                                                                                                                                                               |  | 5 m                                                                                                                                                                                                  | 891-8992/205-501 | .../205-502    | 891-8992/215-501 | .../215-502    |
|                                                                                                                                                                                                               |  | 6 m                                                                                                                                                                                                  | 891-8992/205-601 | .../205-602    | 891-8992/215-601 | .../215-602    |
|                                                                                                                                                                                                               |  | 7 m                                                                                                                                                                                                  | 891-8992/205-701 | .../205-702    | 891-8992/215-701 | .../215-702    |
|                                                                                                                                                                                                               |  | 8 m                                                                                                                                                                                                  | 891-8992/205-801 | .../205-802    | 891-8992/215-801 | .../215-802    |
| <b>Info</b>                                                                                                                                                                                                   |  | <b>Accessories</b>                                                                                                                                                                                   |                  |                |                  |                |
| ① Approval data can be found in the online catalog at <a href="http://www.wagocatalog.com">www.wagocatalog.com</a><br><br>Other cables on request<br><br>● black Coding A (L+ N-)<br>○ white Coding A (L+ N-) |  | Locking levers, tool operated,<br>for "flying leads"<br> black 890-111 100 (2 x 50)<br>white 890-131 100 (2 x 50) |                  |                |                  |                |
| Please find some information on the different codings on pages 146 and 147                                                                                                                                    |  |                                                                                                                                                                                                      |                  |                |                  |                |



# Cable Assemblies 2 x 1.5 mm<sup>2</sup>/AWG 16




|                                                                                     |  |                                                                                                                                  |                  |                                                                                                                       |                  |                |
|-------------------------------------------------------------------------------------|--|----------------------------------------------------------------------------------------------------------------------------------|------------------|-----------------------------------------------------------------------------------------------------------------------|------------------|----------------|
|                                                                                     |  | PVC H05VV-F 2x1.5<br>halogen-free H05Z1Z1-F 2x1.5<br><br>250 V/4 kV/3 16 A<br><br>Wire ends bonded 9 mm / 0.35 in<br>① Approvals |                  |                                                                                                                       |                  |                |
| <b>Interconnecting cables, socket - plug</b>                                        |  | Length                                                                                                                           | Item no. black   | Item no. white                                                                                                        | Item no. black   | Item no. white |
|    |  | Coding A                                                                                                                         | ● ○              |                                                                                                                       | PVC halogen-free |                |
|    |  | 1 m                                                                                                                              | 891-8992/006-101 | .../006-102                                                                                                           | 891-8992/016-101 | .../016-102    |
|                                                                                     |  | 2 m                                                                                                                              | 891-8992/006-201 | .../006-202                                                                                                           | 891-8992/016-201 | .../016-202    |
|                                                                                     |  | 3 m                                                                                                                              | 891-8992/006-301 | .../006-302                                                                                                           | 891-8992/016-301 | .../016-302    |
|                                                                                     |  | 4 m                                                                                                                              | 891-8992/006-401 | .../006-402                                                                                                           | 891-8992/016-401 | .../016-402    |
|                                                                                     |  | 5 m                                                                                                                              | 891-8992/006-501 | .../006-502                                                                                                           | 891-8992/016-501 | .../016-502    |
|                                                                                     |  | 6 m                                                                                                                              | 891-8992/006-601 | .../006-602                                                                                                           | 891-8992/016-601 | .../016-602    |
|                                                                                     |  | 7 m                                                                                                                              | 891-8992/006-701 | .../006-702                                                                                                           | 891-8992/016-701 | .../016-702    |
|                                                                                     |  | 8 m                                                                                                                              | 891-8992/006-801 | .../006-802                                                                                                           | 891-8992/016-801 | .../016-802    |
| <b>Connecting cables, socket - free end</b>                                         |  | Length                                                                                                                           | Item no. black   | Item no. white                                                                                                        | Item no. black   | Item no. white |
|    |  | Coding A                                                                                                                         | ● ○              |                                                                                                                       | PVC halogen-free |                |
|  |  | 1 m                                                                                                                              | 891-8992/106-101 | .../106-102                                                                                                           | 891-8992/116-101 | .../116-102    |
|                                                                                     |  | 2 m                                                                                                                              | 891-8992/106-201 | .../106-202                                                                                                           | 891-8992/116-201 | .../116-202    |
|                                                                                     |  | 3 m                                                                                                                              | 891-8992/106-301 | .../106-302                                                                                                           | 891-8992/116-301 | .../116-302    |
|                                                                                     |  | 4 m                                                                                                                              | 891-8992/106-401 | .../106-402                                                                                                           | 891-8992/116-401 | .../116-402    |
|                                                                                     |  | 5 m                                                                                                                              | 891-8992/106-501 | .../106-502                                                                                                           | 891-8992/116-501 | .../116-502    |
|                                                                                     |  | 6 m                                                                                                                              | 891-8992/106-601 | .../106-602                                                                                                           | 891-8992/116-601 | .../116-602    |
|                                                                                     |  | 7 m                                                                                                                              | 891-8992/106-701 | .../106-702                                                                                                           | 891-8992/116-701 | .../116-702    |
|                                                                                     |  | 8 m                                                                                                                              | 891-8992/106-801 | .../106-802                                                                                                           | 891-8992/116-801 | .../116-802    |
| <b>Connecting cables, plug - free end</b>                                           |  | Length                                                                                                                           | Item no. black   | Item no. white                                                                                                        | Item no. black   | Item no. white |
|  |  | Coding A                                                                                                                         | ● ○              |                                                                                                                       | PVC halogen-free |                |
|  |  | 1 m                                                                                                                              | 891-8992/206-101 | .../206-102                                                                                                           | 891-8992/216-101 | .../216-102    |
|                                                                                     |  | 2 m                                                                                                                              | 891-8992/206-201 | .../206-202                                                                                                           | 891-8992/216-201 | .../216-202    |
|                                                                                     |  | 3 m                                                                                                                              | 891-8992/206-301 | .../206-302                                                                                                           | 891-8992/216-301 | .../216-302    |
|                                                                                     |  | 4 m                                                                                                                              | 891-8992/206-401 | .../206-402                                                                                                           | 891-8992/216-401 | .../216-402    |
|                                                                                     |  | 5 m                                                                                                                              | 891-8992/206-501 | .../206-502                                                                                                           | 891-8992/216-501 | .../216-502    |
|                                                                                     |  | 6 m                                                                                                                              | 891-8992/206-601 | .../206-602                                                                                                           | 891-8992/216-601 | .../216-602    |
|                                                                                     |  | 7 m                                                                                                                              | 891-8992/206-701 | .../206-702                                                                                                           | 891-8992/216-701 | .../216-702    |
|                                                                                     |  | 8 m                                                                                                                              | 891-8992/206-801 | .../206-802                                                                                                           | 891-8992/216-801 | .../216-802    |
| <b>Lengths</b>                                                                      |  | <b>Pack.-unit</b>                                                                                                                |                  | <b>Accessories</b>                                                                                                    |                  |                |
| 1 m                                                                                 |  | 50                                                                                                                               |                  | Locking levers, tool operated,                                                                                        |                  |                |
| 2, 3, 4 m                                                                           |  | 25                                                                                                                               |                  | for "flying leads"                                                                                                    |                  |                |
| 5, 6 m                                                                              |  | 15                                                                                                                               |                  |  black <b>890-111</b> 100 (2 x 50) |                  |                |
| 7, 8 m                                                                              |  | 10                                                                                                                               |                  | white <b>890-131</b> 100 (2 x 50)                                                                                     |                  |                |
| Other lengths on request                                                            |  |                                                                                                                                  |                  |                                                                                                                       |                  |                |

## Sockets and Plugs, 3 Poles

|                                                                                                                                                                                         |                    |                                                                                                                                                                                           |                    |
|-----------------------------------------------------------------------------------------------------------------------------------------------------------------------------------------|--------------------|-------------------------------------------------------------------------------------------------------------------------------------------------------------------------------------------|--------------------|
| <p>0.25 – 1.5 mm<sup>2</sup> ①<br/>250 V/4 kV/3<br/>16 A</p> <p> 9 mm / 0.35 in</p> <p>② Approvals</p> | <p>AWG 22 - 16</p> | <p>0.25 – 1.5 mm<sup>2</sup> ①<br/>250 V/4 kV/3<br/>16 A</p> <p> 9 mm / 0.35 in</p> <p>② Approvals</p> | <p>AWG 22 - 16</p> |
|-----------------------------------------------------------------------------------------------------------------------------------------------------------------------------------------|--------------------|-------------------------------------------------------------------------------------------------------------------------------------------------------------------------------------------|--------------------|



| Description                                          | Color                                                                                  | Item no. | Pack-unit | Color                                                                                | Item no. | Pack-unit |
|------------------------------------------------------|----------------------------------------------------------------------------------------|----------|-----------|--------------------------------------------------------------------------------------|----------|-----------|
| Connectors, 3 poles,<br>with CAGE CLAMP®S connection | Sockets with strain relief housing,<br>for cable diameter 4.5 - 10 mm (0.17 - 0.39 in) |          |           | Plugs with strain relief housing,<br>for cable diameter 4.5 - 10 mm (0.17 - 0.39 in) |          |           |
|                                                      | black                                                                                  | 890-103  | ● 50      | black                                                                                | 890-113  | ● 50      |
|                                                      | white                                                                                  | 890-123  | ○ 50      | white                                                                                | 890-133  | ○ 50      |

| Accessories                                                                                                                                                  |       |         |              |       |         |              |
|--------------------------------------------------------------------------------------------------------------------------------------------------------------|-------|---------|--------------|-------|---------|--------------|
| <b>Locking levers, tool operated,</b><br>for "flying leads"<br>           | black | 890-111 | 100 (2 x 50) | black | 890-111 | 100 (2 x 50) |
|                                                                                                                                                              | white | 890-131 | 100 (2 x 50) | white | 890-131 | 100 (2 x 50) |
| <b>Shield connecting plate, for plugs and sockets,</b><br>see page 19<br> |       | 890-523 | 50           |       | 890-523 | 50           |
| <b>Operating tool, insulated,</b><br>3-way<br>                            |       | 890-393 | 1            |       | 890-393 | 1            |

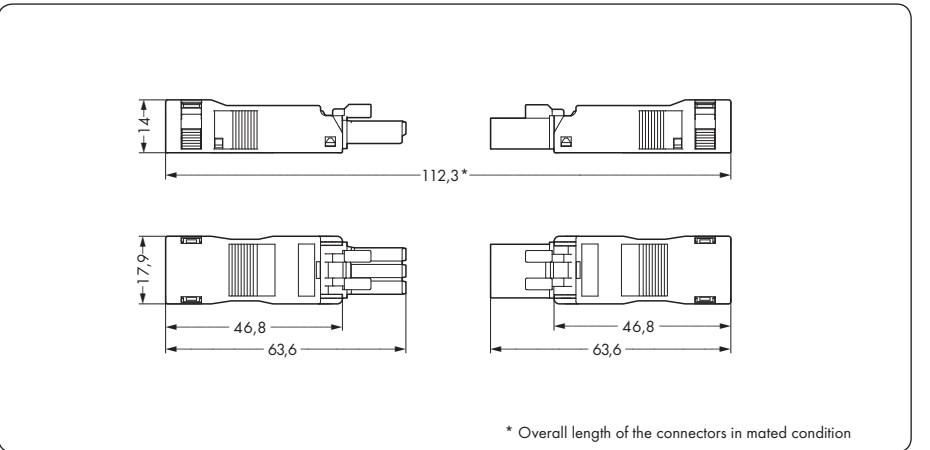
| Info | Dimensions (in mm) |
|------|--------------------|
|------|--------------------|

① Wire range: 0.25 - 1.5 mm<sup>2</sup> "s + f-st"  
0.25 - 1 mm<sup>2</sup> "stranded"

② Approval data can be found in the online catalog at [www.wagocatalog.com](http://www.wagocatalog.com)

● black Coding A (L ⊕ N)  
○ white Coding A (L ⊕ N)  
● gray Coding B (1 2 3)

Please find some information on the different codings on pages 146 and 147

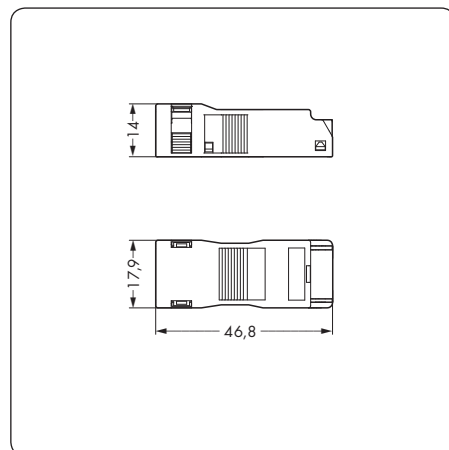
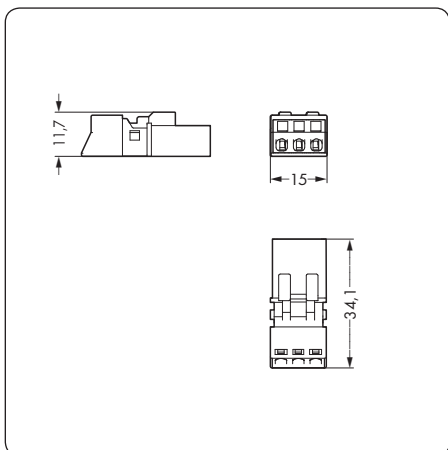
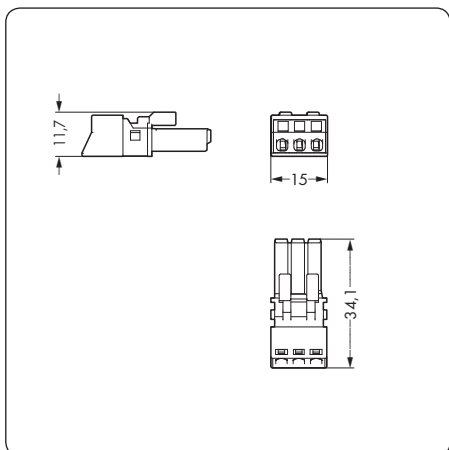


|                                                                                                                    |                                                                                                                    |                                                                                           |
|--------------------------------------------------------------------------------------------------------------------|--------------------------------------------------------------------------------------------------------------------|-------------------------------------------------------------------------------------------|
| <p>0.25 – 1.5 mm<sup>2</sup> ①   AWG 22 - 16<br/>250 V/4 kV/3<br/>16 A</p> <p>▮ 9 mm / 0.35 in<br/>② Approvals</p> | <p>0.25 – 1.5 mm<sup>2</sup> ①   AWG 22 - 16<br/>250 V/4 kV/3<br/>16 A</p> <p>▮ 9 mm / 0.35 in<br/>② Approvals</p> | <p>Snap-on type strain relief housing<br/>for<br/>- 3-pole sockets<br/>- 3-pole plugs</p> |
|--------------------------------------------------------------------------------------------------------------------|--------------------------------------------------------------------------------------------------------------------|-------------------------------------------------------------------------------------------|

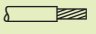
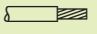


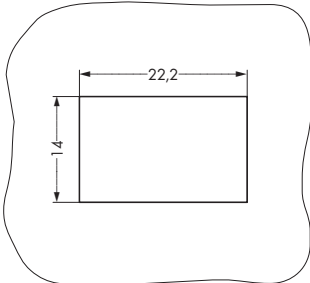
| Color                                        | Item no.  | Pack.-unit   | Color                                      | Item no.  | Pack.-unit   | Color                                                                             | Item no.  | Pack.-unit |
|----------------------------------------------|-----------|--------------|--------------------------------------------|-----------|--------------|-----------------------------------------------------------------------------------|-----------|------------|
| <b>Sockets without strain relief housing</b> |           |              | <b>Plugs without strain relief housing</b> |           |              | <b>Strain relief housings,</b><br>for cable diameter 4.5 - 10 mm (0.17 - 0.39 in) |           |            |
| black                                        | 890-203 ● | 50           | black                                      | 890-213 ● | 50           | black                                                                             | 890-503 ● | 50         |
| white                                        | 890-223 ○ | 50           | white                                      | 890-233 ○ | 50           | white                                                                             | 890-513 ○ | 50         |
| gray                                         | 890-243 ● | 50           | gray                                       | 890-253 ● | 50           |                                                                                   |           |            |
|                                              |           |              |                                            |           |              |                                                                                   |           |            |
|                                              |           |              |                                            |           |              |                                                                                   |           |            |
|                                              |           |              |                                            |           |              |                                                                                   |           |            |
|                                              |           |              |                                            |           |              |                                                                                   |           |            |
|                                              |           |              |                                            |           |              |                                                                                   |           |            |
|                                              |           |              |                                            |           |              |                                                                                   |           |            |
|                                              |           |              |                                            |           |              |                                                                                   |           |            |
|                                              |           |              |                                            |           |              |                                                                                   |           |            |
| black                                        | 890-111   | 100 (2 x 50) | black                                      | 890-111   | 100 (2 x 50) |                                                                                   |           |            |
| white                                        | 890-131   | 100 (2 x 50) | white                                      | 890-131   | 100 (2 x 50) |                                                                                   |           |            |
|                                              |           |              |                                            |           |              |                                                                                   |           |            |
|                                              |           |              |                                            |           |              |                                                                                   |           |            |
|                                              | 890-393   | 1            |                                            | 890-393   | 1            |                                                                                   | 890-523   | 50         |
|                                              |           |              |                                            |           |              |                                                                                   |           |            |
|                                              |           |              |                                            |           |              |                                                                                   |           |            |
|                                              |           |              |                                            |           |              |                                                                                   |           |            |
|                                              |           |              |                                            |           |              |                                                                                   |           |            |

|  |
|--|
|  |
|--|







## Snap-In Sockets and Plugs, 3 Poles

|                                                                                                                               |                                                                                                                 |             |                                                                                                                   |             |
|-------------------------------------------------------------------------------------------------------------------------------|-----------------------------------------------------------------------------------------------------------------|-------------|-------------------------------------------------------------------------------------------------------------------|-------------|
| Cut-out dimensions<br><br>Sheet thickness: 0.5 mm to 2 mm (0.02 - 0.078 in)<br>Tolerance of the cut-out: + 0.1 mm / 0.0039 in | 0.25 – 1.5 mm <sup>2</sup> ①<br>250 V/4 kV/3<br>16 A                                                            | AWG 22 - 16 | 0.25 – 1.5 mm <sup>2</sup> ①<br>250 V/4 kV/3<br>16 A                                                              | AWG 22 - 16 |
|                                                                                                                               |  9 mm / 0.35 in<br>② Approvals |             |  9 mm / 0.35 in<br>② Approvals |             |



| Description                                                                  | Color   | Item no. | Pack.-unit | Color | Item no. | Pack.-unit |
|------------------------------------------------------------------------------|---------|----------|------------|-------|----------|------------|
| Connectors, snap-in device connection, 3 poles, with CAGE CLAMP®S connection | Sockets |          |            | Plugs |          |            |
|                                                                              | black   | 890-703  | ● 50       | black | 890-713  | ● 50       |
|                                                                              | white   | 890-723  | ○ 50       | white | 890-733  | ○ 50       |
|                                                                              | gray    | 890-743  | ● 50       | gray  | 890-753  | ● 50       |

| Accessories                                                                         |       |         |         |       |         |     |
|-------------------------------------------------------------------------------------|-------|---------|---------|-------|---------|-----|
| Lockout caps, for cut-out                                                           |       |         |         |       |         |     |
|  | black | 890-643 | 100     | black | 890-643 | 100 |
|                                                                                     | white | 890-693 | 100     | white | 890-693 | 100 |
| Mounting plate, for distribution connectors                                         |       |         |         |       |         |     |
|  |       |         |         |       |         |     |
| Fixing pin, for mounting plates                                                     |       |         |         |       |         |     |
|  |       |         |         |       |         |     |
| Operating tool, insulated, 3-way                                                    |       |         |         |       |         |     |
|  |       |         | 890-393 | 1     | 890-393 | 1   |

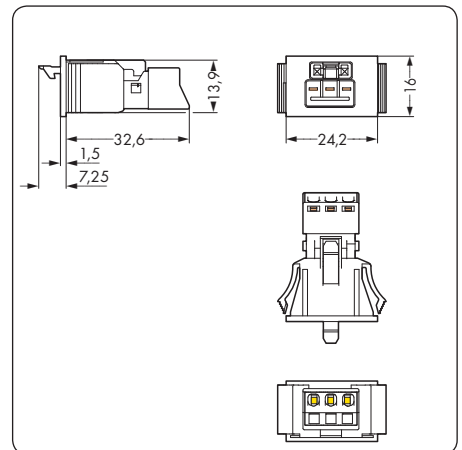
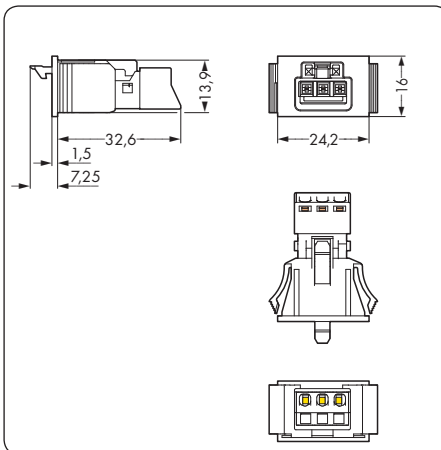
| Info | Dimensions (in mm) |
|------|--------------------|
|------|--------------------|

① Wire range: 0.25 - 1.5 mm<sup>2</sup> "s + f-st"  
0.25 - 1 mm<sup>2</sup> "stranded"

② Approval data can be found in the online catalog at [www.wagocatalog.com](http://www.wagocatalog.com)

● black Coding A (L ⊕ N)  
○ white Coding A (L ⊕ N)  
● gray Coding B (1 2 3)

Please find some information on the different codings on pages 146 and 147



# Distribution Connectors, 3 Poles

|                      |                      |
|----------------------|----------------------|
| 250 V/4 kV/3<br>16 A | 250 V/4 kV/3<br>16 A |
| Ⓢ Approvals          | Ⓢ Approvals          |



Connector with shield termination

| Color                                                                    | Item no.  | Pack.-unit | Color                                                   | Item no.  | Pack.-unit |
|--------------------------------------------------------------------------|-----------|------------|---------------------------------------------------------|-----------|------------|
| <b>h-distribution connectors, unidirectional, plug / socket - socket</b> |           |            | <b>T-distribution connectors, 1 x plug / 2 x socket</b> |           |            |
| black                                                                    | 890-634 ● | 50         | black                                                   | 890-606 ● | 25         |
| white                                                                    | 890-684 ○ | 50         | white                                                   | 890-656 ○ | 25         |
| for "flying leads", with 3rd locking lever                               |           |            | for "flying leads", with 3rd locking lever              |           |            |
| black                                                                    | 890-636 ● | 50         | black                                                   | 890-615 ● | 25         |
| white                                                                    | 890-686 ○ | 50         | white                                                   | 890-665 ○ | 25         |
|                                                                          |           |            |                                                         |           |            |
|                                                                          |           |            |                                                         |           |            |
|                                                                          |           |            |                                                         |           |            |
| black                                                                    | 890-623   | 100        |                                                         |           |            |
| white                                                                    | 890-673   | 100        |                                                         |           |            |
|                                                                          |           |            |                                                         |           |            |
| black                                                                    | 890-601   | 250        |                                                         |           |            |
|                                                                          |           |            |                                                         |           |            |
|                                                                          |           |            |                                                         |           |            |



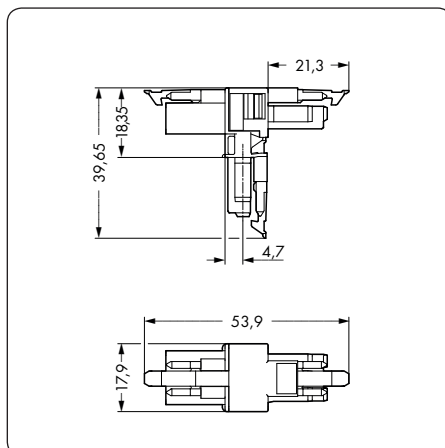
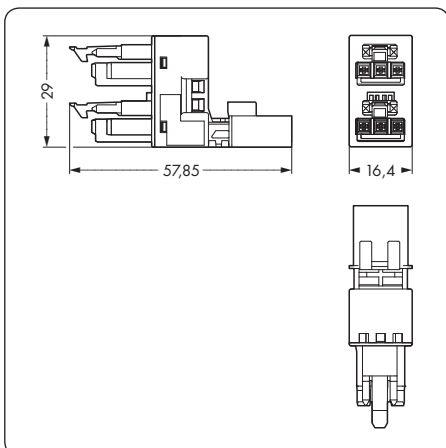
Apply the shield to the rubber cable.  
Strip length, outer insulation = 30 mm / 1.18 in  
Shield length = 8 mm / 0.31 in


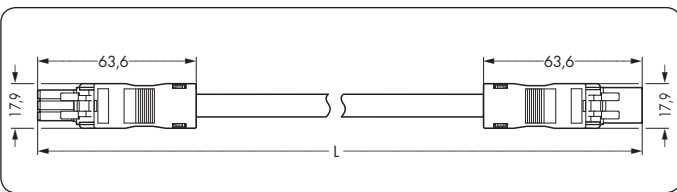

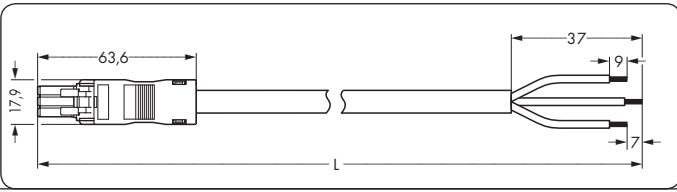

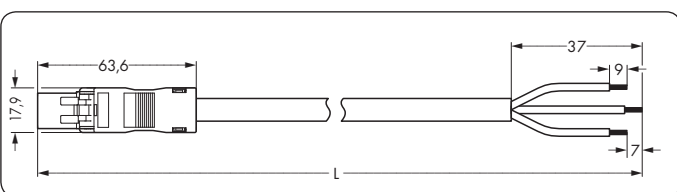



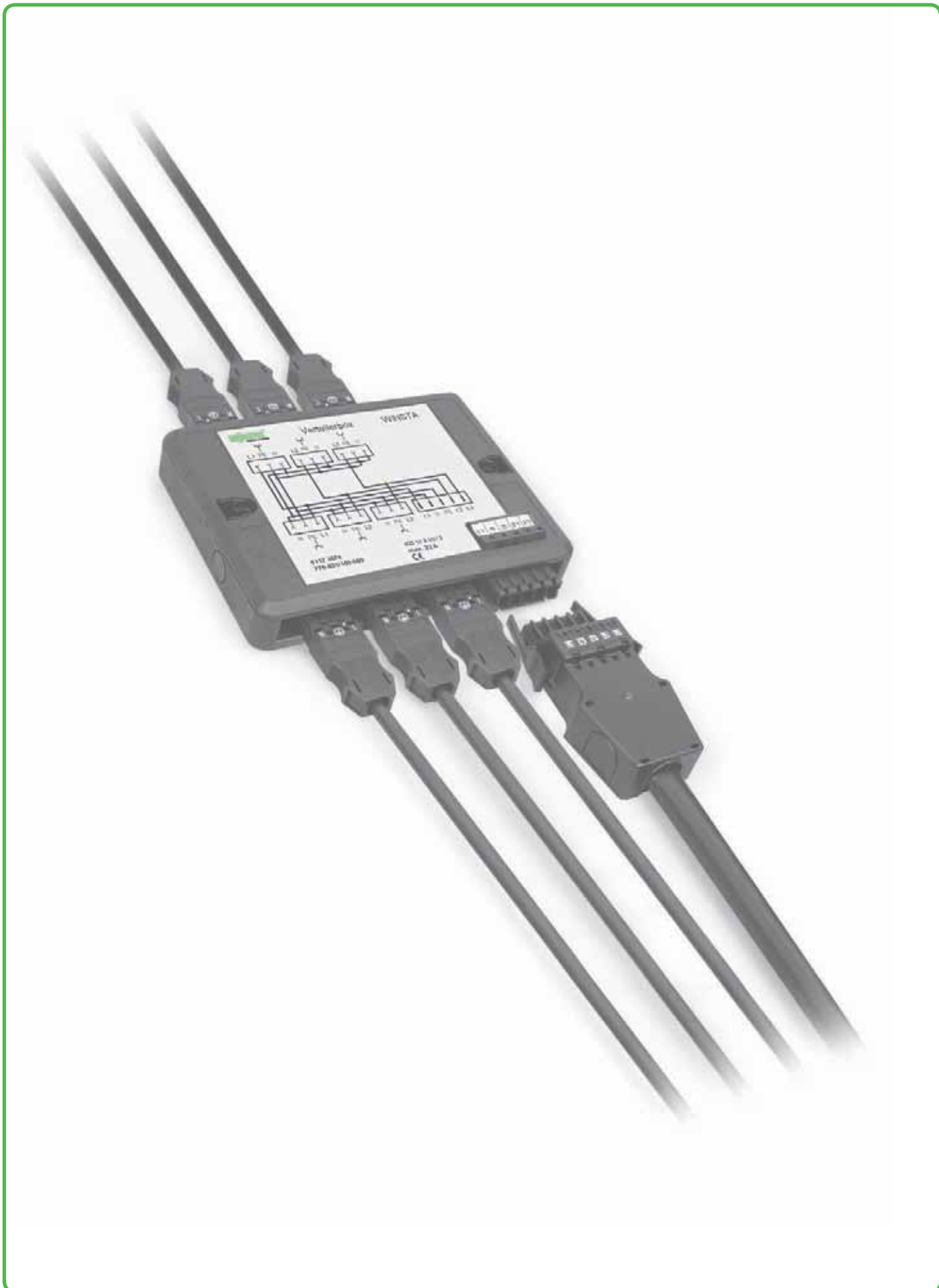
Push the shield connecting plate into the connector until fully inserted



First insert the wired connector into the strain relief housing, then snap the clamp and cover.



|                                                                                                                                                   |  |                                                                                                                    |                  |                |                  |                |
|---------------------------------------------------------------------------------------------------------------------------------------------------|--|--------------------------------------------------------------------------------------------------------------------|------------------|----------------|------------------|----------------|
|                                                                                                                                                   |  | PVC H05VV-F 3G1<br>halogen-free H05Z1Z1-F 3G1<br><br>250 V/4 kV/3 10 A<br><br>Wire ends bonded 9 mm<br>① Approvals |                  |                |                  |                |
| Interconnecting cables, socket - plug                                                                                                             |  | Length                                                                                                             | Item no. black   | Item no. white | Item no. black   | Item no. white |
|                                                                  |  | Coding A                                                                                                           | ● ○              |                |                  |                |
|                                                                   |  | PVC                                                                                                                |                  | halogen-free   |                  |                |
|                                                                                                                                                   |  | 1 m                                                                                                                | 891-8993/005-101 | .../005-102    | 891-8993/015-101 | .../015-102    |
|                                                                                                                                                   |  | 2 m                                                                                                                | 891-8993/005-201 | .../005-202    | 891-8993/015-201 | .../015-202    |
|                                                                                                                                                   |  | 3 m                                                                                                                | 891-8993/005-301 | .../005-302    | 891-8993/015-301 | .../015-302    |
|                                                                                                                                                   |  | 4 m                                                                                                                | 891-8993/005-401 | .../005-402    | 891-8993/015-401 | .../015-402    |
|                                                                                                                                                   |  | 5 m                                                                                                                | 891-8993/005-501 | .../005-502    | 891-8993/015-501 | .../015-502    |
|                                                                                                                                                   |  | 6 m                                                                                                                | 891-8993/005-601 | .../005-602    | 891-8993/015-601 | .../015-602    |
|                                                                                                                                                   |  | 7 m                                                                                                                | 891-8993/005-701 | .../005-702    | 891-8993/015-701 | .../015-702    |
|                                                                                                                                                   |  | 8 m                                                                                                                | 891-8993/005-801 | .../005-802    | 891-8993/015-801 | .../015-802    |
| Connecting cables, socket - free end                                                                                                              |  | Length                                                                                                             | Item no. black   | Item no. white | Item no. black   | Item no. white |
|                                                                 |  | Coding A                                                                                                           | ● ○              |                |                  |                |
|                                                                 |  | PVC                                                                                                                |                  | halogen-free   |                  |                |
|                                                                                                                                                   |  | 1 m                                                                                                                | 891-8993/105-101 | .../105-102    | 891-8993/115-101 | .../115-102    |
|                                                                                                                                                   |  | 2 m                                                                                                                | 891-8993/105-201 | .../105-202    | 891-8993/115-201 | .../115-202    |
|                                                                                                                                                   |  | 3 m                                                                                                                | 891-8993/105-301 | .../105-302    | 891-8993/115-301 | .../115-302    |
|                                                                                                                                                   |  | 4 m                                                                                                                | 891-8993/105-401 | .../105-402    | 891-8993/115-401 | .../115-402    |
|                                                                                                                                                   |  | 5 m                                                                                                                | 891-8993/105-501 | .../105-502    | 891-8993/115-501 | .../115-502    |
|                                                                                                                                                   |  | 6 m                                                                                                                | 891-8993/105-601 | .../105-602    | 891-8993/115-601 | .../115-602    |
|                                                                                                                                                   |  | 7 m                                                                                                                | 891-8993/105-701 | .../105-702    | 891-8993/115-701 | .../115-702    |
|                                                                                                                                                   |  | 8 m                                                                                                                | 891-8993/105-801 | .../105-802    | 891-8993/115-801 | .../115-802    |
| Connecting cables, plug - free end                                                                                                                |  | Length                                                                                                             | Item no. black   | Item no. white | Item no. black   | Item no. white |
|                                                                |  | Coding A                                                                                                           | ● ○              |                |                  |                |
|                                                                 |  | PVC                                                                                                                |                  | halogen-free   |                  |                |
|                                                                                                                                                   |  | 1 m                                                                                                                | 891-8993/205-101 | .../205-102    | 891-8993/215-101 | .../215-102    |
|                                                                                                                                                   |  | 2 m                                                                                                                | 891-8993/205-201 | .../205-202    | 891-8993/215-201 | .../215-202    |
|                                                                                                                                                   |  | 3 m                                                                                                                | 891-8993/205-301 | .../205-302    | 891-8993/215-301 | .../215-302    |
|                                                                                                                                                   |  | 4 m                                                                                                                | 891-8993/205-401 | .../205-402    | 891-8993/215-401 | .../215-402    |
|                                                                                                                                                   |  | 5 m                                                                                                                | 891-8993/205-501 | .../205-502    | 891-8993/215-501 | .../215-502    |
|                                                                                                                                                   |  | 6 m                                                                                                                | 891-8993/205-601 | .../205-602    | 891-8993/215-601 | .../215-602    |
|                                                                                                                                                   |  | 7 m                                                                                                                | 891-8993/205-701 | .../205-702    | 891-8993/215-701 | .../215-702    |
|                                                                                                                                                   |  | 8 m                                                                                                                | 891-8993/205-801 | .../205-802    | 891-8993/215-801 | .../215-802    |
| Info                                                                                                                                              |  | Locking levers, tool operated,<br>for "flying leads"                                                               |                  |                |                  |                |
| ① Approval data can be found in the online catalog at <a href="http://www.wagocatalog.com">www.wagocatalog.com</a><br><br>Other cables on request |  |  black                          |                  | 890-111        | 100 (2 x 50)     |                |
|                                                                                                                                                   |  | white                                                                                                              |                  | 890-131        | 100 (2 x 50)     |                |
| ● black Coding A (L ⊕ N)<br>○ white Coding A (L ⊕ N)<br><br>Please find some information on the different codings on pages 146 and 147            |  | Lengths                                                                                                            |                  | Pack.-unit     |                  |                |
|                                                                                                                                                   |  | 1 m                                                                                                                |                  | 50             |                  |                |
|                                                                                                                                                   |  | 2, 3, 4 m                                                                                                          |                  | 25             |                  |                |
|                                                                                                                                                   |  | 5, 6 m                                                                                                             |                  | 15             |                  |                |
|                                                                                                                                                   |  | 7, 8 m                                                                                                             |                  | 10             |                  |                |
|                                                                                                                                                   |  | Other lengths on request                                                                                           |                  |                |                  |                |



**WINSTA® - The perfect connection!**

## 2

**770 Series**

Connectors, 3 Poles  
 Connectors, 3 Poles, Special Items  
 Connectors, 4 Poles  
 Connectors, 5 Poles

24 – 25  
 30 – 31  
 44 – 45  
 56 – 59

**770 Series**

Strain Relief Housings, 3 Poles  
 Strain Relief Housings, 4 Poles  
 Strain Relief Housings, 5 Poles  
 Strain Relief Housings, 6 Poles  
 Strain Relief Housings, 7 Poles

26 – 27  
 46  
 60 – 61  
 80  
 81

**770 Series**

Snap-In Device Connectors, 3 Poles  
 Snap-In Device Connectors, 4 Poles  
 Snap-In Device Connectors, 5 Poles

28 – 29  
 48 – 49  
 62 – 63

**770 Series**

PCB Connectors, 3 Poles  
 PCB Connectors, 4 Poles  
 PCB Connectors, 5 Poles

32 – 33  
 50 – 51  
 64 – 65

**770 Series**

Intermediate Couplers and T-Distribution Connectors, 3 Poles  
 Distribution Connectors, 4 Poles  
 Intermediate Couplers and T-Distribution Connectors, 5 Poles  
 Distribution Box

34 – 37  
 52  
 66 – 70  
 78 – 79

**771 Series**

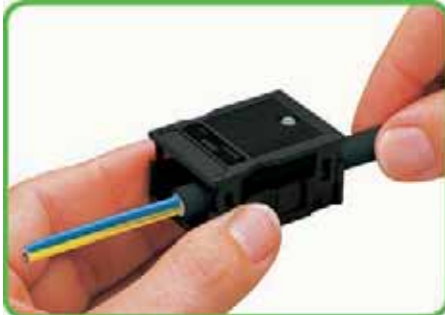
Cable Assemblies, 3 Poles  
 Cable Assemblies, 4 Poles  
 Cable Assemblies, 5 Poles

38 – 43  
 54  
 72 – 77

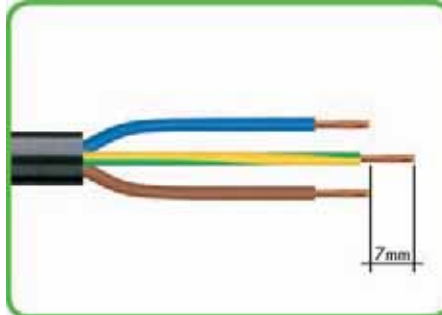


# Handling WINSTA® MIDI 770 Series

## Preparation



We recommend to pull the pre-latched strain relief housing over the conductor prior to conductor connection. However, the strain relief can be mounted at a later time as well.



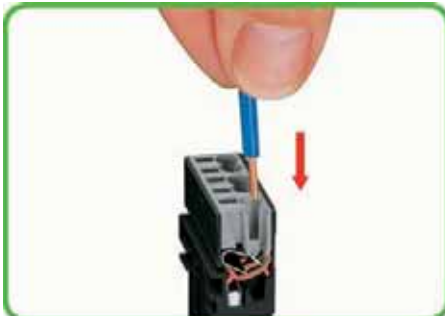
1. Strip length, outer insulation = 55 mm / 2.16 in
2. Strip length = 9 mm / 0.35 in
3. PE conductor protruding = 7 mm / 0.27 in

## Wire connection with CAGE CLAMP® S



Open clamping point with screwdriver (blade width 2.5mm/0.098 in) and insert stripped conductor up to the stop.

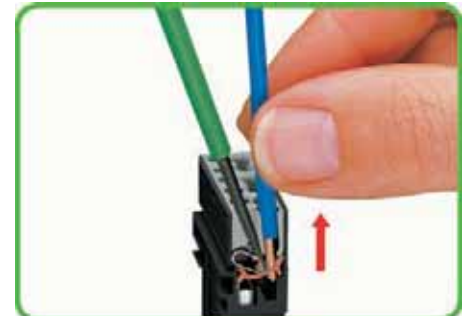
## Conductor connection with CAGE CLAMP® S



Push solid stripped conductor up to the stop.



Actuate the clamp using a screwdriver (blade width 2.5mm/0.098 in) to connect flexible conductors and insert the stripped conductor up to the stop.



In order to disconnect the conductor, actuate the clamp using a screwdriver (blade width 2.5 mm/0.098 in) and pull off the conductor.

## Strain relief assembly



Latch the strain relief housing on the plug/socket. Note the inscription "TOP".



Prepare strain relief housing by snapping together upper and bottom part.



Tighten the strain relief screw using a screwdriver

## Variable coding



Simply break or cut off the coding pin on the socket.



Fit the coding pin into the connector (break first) so that the pin engages.

## Marking







Marking of strain relief housing with WSB quick marking system.

|                                                                                                        |                                                                                                                               |
|--------------------------------------------------------------------------------------------------------|-------------------------------------------------------------------------------------------------------------------------------|
| <p>2 x 0.5 – 4 mm<sup>2</sup> ①<br/>250 V/4 kV/3<br/>25 A</p> <p>9 mm / 0.35 in</p> <p>② Approvals</p> | <p>2 x AWG 20 - 12</p> <p>2 x 0.5 – 4 mm<sup>2</sup> ①<br/>250 V/4 kV/3<br/>25 A</p> <p>9 mm / 0.35 in</p> <p>② Approvals</p> |
|--------------------------------------------------------------------------------------------------------|-------------------------------------------------------------------------------------------------------------------------------|



| Description                                          | Color                                                                                        | Item no. | Pack.-unit | Color                                                                                      | Item no. | Pack.-unit |
|------------------------------------------------------|----------------------------------------------------------------------------------------------|----------|------------|--------------------------------------------------------------------------------------------|----------|------------|
| Connectors, 3 poles,<br>with CAGE CLAMP®S connection | Sockets with strain relief housing,<br>for 2 cables, diameter 8 - 11.5 mm / 0.31 - 0.45 in ③ |          |            | Plugs with strain relief housing,<br>for 2 cables, diameter 8 - 11.5 mm / 0.31 - 0.45 in ③ |          |            |
|                                                      | black                                                                                        | 770-103  | ● 25       | black                                                                                      | 770-113  | ● 25       |
|                                                      | white                                                                                        | 770-123  | ○ 25       | white                                                                                      | 770-133  | ○ 25       |

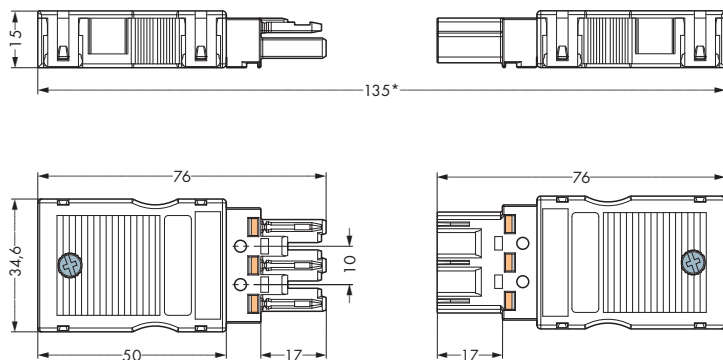
Accessories

|                                                                                                                                                      |       |         |              |       |         |              |
|------------------------------------------------------------------------------------------------------------------------------------------------------|-------|---------|--------------|-------|---------|--------------|
|  <p>Locking levers, manually operated,<br/>for "flying leads"</p> | black | 770-101 | 100 (4 x 25) | black | 770-101 | 100 (4 x 25) |
|                                                                                                                                                      | white | 770-121 | 100 (4 x 25) | white | 770-121 | 100 (4 x 25) |
|  <p>Locking levers, tool operated,<br/>for "flying leads"</p>     | black | 770-111 | 100 (4 x 25) | black | 770-111 | 100 (4 x 25) |
|                                                                                                                                                      | white | 770-131 | 100 (4 x 25) | white | 770-131 | 100 (4 x 25) |
|  <p>Lockout caps, for socket,<br/>separable,<br/>12 poles</p>     | black | 770-201 | 100          |       |         |              |
|                                                                                                                                                      | white | 770-221 | 100          |       |         |              |
|  <p>Coding pin, for plug</p>                                      |       |         |              | gray  | 770-401 | 100          |

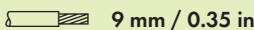

| Info | Dimensions (in mm) |
|------|--------------------|
|------|--------------------|

- ① Wire range: 0.5 - 4 mm<sup>2</sup> "s + f-st"  
0.5 - 2.5 mm<sup>2</sup> "stranded"
  - ② Approval data can be found in the online catalog at [www.wagocatalog.com](http://www.wagocatalog.com)
  - ③ More strain relief housings see pages 26 and 27
- |          |          |             |
|----------|----------|-------------|
| ● black  | Coding A | (L ⊕ N)     |
| ○ white  | Coding A | (L ⊕ N)     |
| ● gray   | Coding B | (1 2 3)     |
| ● red    | Coding P | (L ⊕ N)     |
| ● orange | Coding R | (LON LON S) |
| ● brown  | Coding S | (1 2 L)     |

Please find some information on the different codings on pages 146 and 147



\* Overall length of the connectors in mated condition

|                                                                                                                                                                              |                 |                                                                                                                                                                              |                 |
|------------------------------------------------------------------------------------------------------------------------------------------------------------------------------|-----------------|------------------------------------------------------------------------------------------------------------------------------------------------------------------------------|-----------------|
| 2 x 0.5 – 4 mm <sup>2</sup> ①<br>250 V/4 kV/3<br>25 A<br><br> 9 mm / 0.35 in<br>② Approvals | 2 x AWG 20 - 12 | 2 x 0.5 – 4 mm <sup>2</sup> ①<br>250 V/4 kV/3<br>25 A<br><br> 9 mm / 0.35 in<br>② Approvals | 2 x AWG 20 - 12 |
|------------------------------------------------------------------------------------------------------------------------------------------------------------------------------|-----------------|------------------------------------------------------------------------------------------------------------------------------------------------------------------------------|-----------------|



**NOTE:**

All products for fixed installations (snap-in versions, distribution connectors) are equipped with locking levers ex-factory, so that the plugs or sockets are always locked. Additional locking levers are only required for “flying leads” (plug/socket).

| Color                                        | Item no. | Pack.-unit   | Color                                      | Item no. | Pack.-unit   |
|----------------------------------------------|----------|--------------|--------------------------------------------|----------|--------------|
| <b>Sockets without strain relief housing</b> |          |              | <b>Plugs without strain relief housing</b> |          |              |
| black                                        | 770-203  | ● 100        | black                                      | 770-213  | ● 100        |
| white                                        | 770-223  | ○ 100        | white                                      | 770-233  | ○ 100        |
| gray                                         | 770-243  | ● 100        | gray                                       | 770-253  | ● 100        |
| red                                          | 770-1303 | ● 100        | red                                        | 770-1313 | ● 100        |
| orange                                       | 770-1343 | ● 100        | orange                                     | 770-1353 | ● 100        |
| brown                                        | 770-1363 | ● 100        | brown                                      | 770-1373 | ● 100        |
|                                              |          |              |                                            |          |              |
| black                                        | 770-101  | 100 (4 x 25) | black                                      | 770-101  | 100 (4 x 25) |
| white                                        | 770-121  | 100 (4 x 25) | white                                      | 770-121  | 100 (4 x 25) |
|                                              |          |              |                                            |          |              |
| black                                        | 770-111  | 100 (4 x 25) | black                                      | 770-111  | 100 (4 x 25) |
| white                                        | 770-131  | 100 (4 x 25) | white                                      | 770-131  | 100 (4 x 25) |
|                                              |          |              |                                            |          |              |
| black                                        | 770-201  | 100          |                                            |          |              |
| white                                        | 770-221  | 100          |                                            |          |              |
|                                              |          |              |                                            |          |              |
|                                              |          |              | gray                                       | 770-401  | 100          |



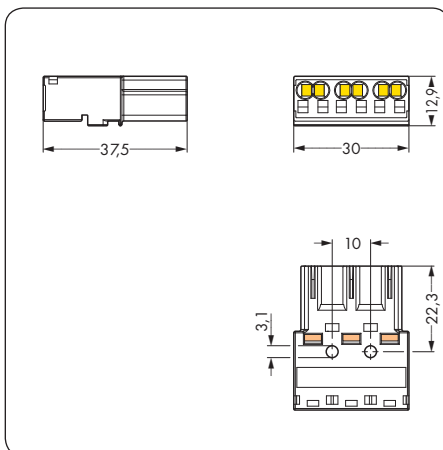
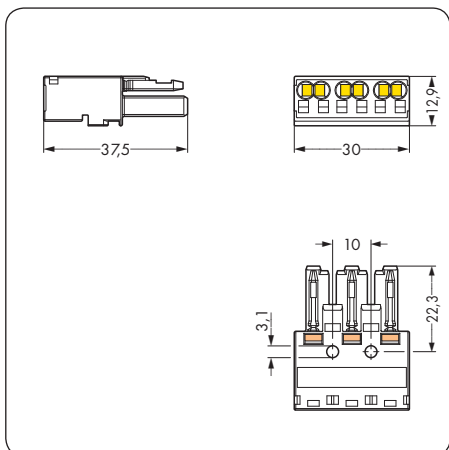
Snap on locking lever. Observe direction!



Locking lever, manually operated:  
1.) Press on locking lever.  
2.) Pull apart the connectors.



Locking lever, tool operated:  
1.) Unlatch locking lever.  
2.) Pull apart the connectors.





## Strain Relief Housings, 3 Poles, for Different Cable Diameters

|  |                                                                                                                                                             |                                                                                                                                                             |
|--|-------------------------------------------------------------------------------------------------------------------------------------------------------------|-------------------------------------------------------------------------------------------------------------------------------------------------------------|
|  | <p>Snap-on type strain relief housing for</p> <ul style="list-style-type: none"> <li>- 3-pole sockets</li> <li>- 3-pole plugs</li> </ul> <p>① Approvals</p> | <p>Snap-on type strain relief housing for</p> <ul style="list-style-type: none"> <li>- 3-pole sockets</li> <li>- 3-pole plugs</li> </ul> <p>① Approvals</p> |
|--|-------------------------------------------------------------------------------------------------------------------------------------------------------------|-------------------------------------------------------------------------------------------------------------------------------------------------------------|



| Description                            | Color | Item no.                                                                            | Pack.-unit | Color | Item no.                                                                             | Pack.-unit |
|----------------------------------------|-------|-------------------------------------------------------------------------------------|------------|-------|--------------------------------------------------------------------------------------|------------|
| <b>Strain relief housings, 3 poles</b> |       | <b>Strain relief housings, for 2 cables, diameter 4.5 - 8 mm / 0.17 - 0.31 in ②</b> |            |       | <b>Strain relief housings, for 2 cables, diameter 8 - 11.5 mm / 0.31 - 0.45 in ②</b> |            |
|                                        | black | 770-503/023-000                                                                     | 50         | black | 770-503                                                                              | 50         |
|                                        | white | 770-513/023-000                                                                     | 50         | white | 770-513                                                                              | 50         |

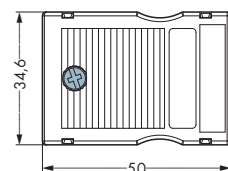
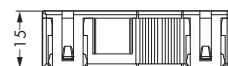
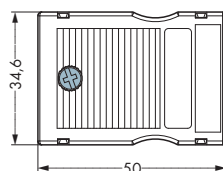
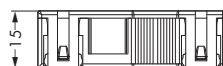
### Accessories

|                                                                                                                                                                                                              |                                                                                          |                                  |                                                                                          |                                  |
|--------------------------------------------------------------------------------------------------------------------------------------------------------------------------------------------------------------|------------------------------------------------------------------------------------------|----------------------------------|------------------------------------------------------------------------------------------|----------------------------------|
| <p><b>Marker strips,</b></p> <p>self-adhesive, on DIN A 1 card, strip length 182 mm / 7.16 in</p>                         | <p>Height 6 mm / 0.23 in</p> <p>Size of the marker field 28 x 6.5 mm / 1.1 x 0.25 in</p> | <p><b>210-333</b></p> <p>100</p> | <p>Height 6 mm / 0.23 in</p> <p>Size of the marker field 28 x 6.5 mm / 1.1 x 0.25 in</p> | <p><b>210-333</b></p> <p>100</p> |
| <p><b>Shield connecting plate,</b></p> <p>for plugs and sockets, for 2 cables, diameter 4 - 7.5 mm / 0.157 - 0.29 in</p>  |                                                                                          | <p><b>770-523</b></p> <p>25</p>  |                                                                                          |                                  |

### Info

### Dimensions (in mm)

- ① Approval data can be found in the online catalog at [www.wagocatalog.com](http://www.wagocatalog.com)
- ② For H05VV and NYM cables  
Other cables on request

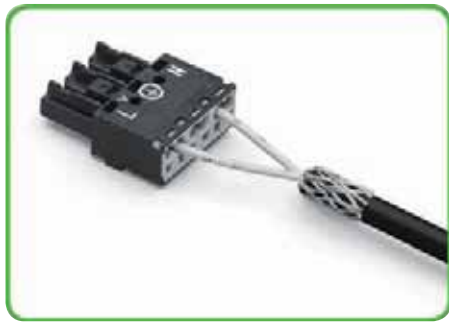


|                                                                                                                                                                           |                                                                                                                                                                           |
|---------------------------------------------------------------------------------------------------------------------------------------------------------------------------|---------------------------------------------------------------------------------------------------------------------------------------------------------------------------|
| <p><b>Snap-on type strain relief housing for</b></p> <ul style="list-style-type: none"> <li>- 3-pole sockets</li> <li>- 3-pole plugs</li> </ul> <p><b>1 Approvals</b></p> | <p><b>Snap-on type strain relief housing for</b></p> <ul style="list-style-type: none"> <li>- 3-pole sockets</li> <li>- 3-pole plugs</li> </ul> <p><b>1 Approvals</b></p> |
|---------------------------------------------------------------------------------------------------------------------------------------------------------------------------|---------------------------------------------------------------------------------------------------------------------------------------------------------------------------|



Connector with shield termination

| Color                                                                                          | Item no.        | Pack.-unit | Color                                                                                                                    | Item no.        | Pack.-unit |
|------------------------------------------------------------------------------------------------|-----------------|------------|--------------------------------------------------------------------------------------------------------------------------|-----------------|------------|
| <b>Strain relief housings, angled</b><br>for 2 cables, diameter 8 - 11.5 mm / 0.31 - 0.45 in ② |                 |            | <b>Strain relief housings, for 4 mm<sup>2</sup>/AWG 12 cables,</b><br>for 1 cable, diameter 9 - 13 mm / 0.35 - 0.51 in ② |                 |            |
| black                                                                                          | 770-503/032-000 | 25         | black                                                                                                                    | 770-503/021-000 | 50         |
| white                                                                                          | 770-513/032-000 | 25         | white                                                                                                                    | 770-513/021-000 | 50         |
| Height 6 mm / 0.23 in <b>210-333</b> 100                                                       |                 |            | Height 6 mm / 0.23 in <b>210-333</b> 100                                                                                 |                 |            |
| Size of the marker field 28 x 6.5 mm / 1.1 x 0.25 in                                           |                 |            | Size of the marker field 28 x 6.5 mm / 1.1 x 0.25 in                                                                     |                 |            |



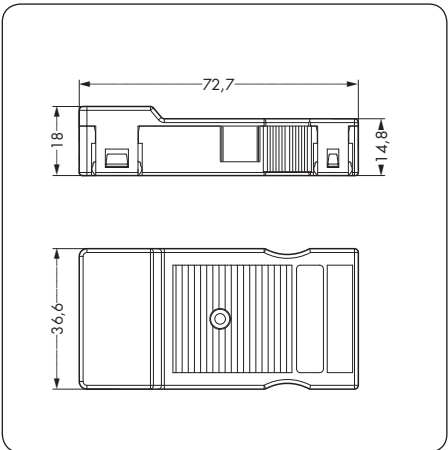
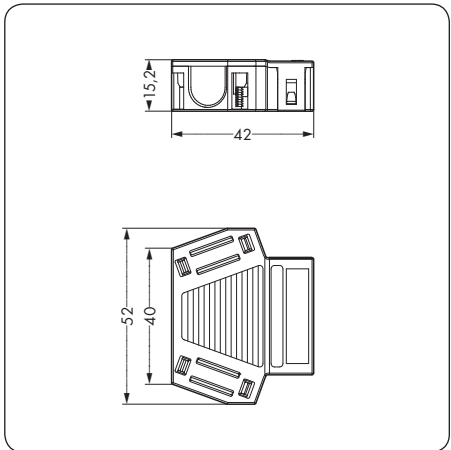
Apply the shield to the rubber cable.  
Strip length, outer insulation = 55 mm / 2.16 in  
Shield length = 10 mm / 0.39 in



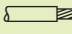

Push the shield connecting plate into the connector until fully inserted.



First insert the wired connector into the strain relief housing, then snap the cover and tighten the screw.






## Snap-In Sockets and Plugs, 3 Poles

|                                                                                                                                                                                          |                        |                                                                                                                                                                                            |                        |
|------------------------------------------------------------------------------------------------------------------------------------------------------------------------------------------|------------------------|--------------------------------------------------------------------------------------------------------------------------------------------------------------------------------------------|------------------------|
| <p>2 x 0.5 – 4 mm<sup>2</sup> ①<br/>250 V/4 kV/3<br/>25 A</p> <p> 9 mm / 0.35 in</p> <p>② Approvals</p> | <p>2 x AWG 20 - 12</p> | <p>2 x 0.5 – 4 mm<sup>2</sup> ①<br/>250 V/4 kV/3<br/>25 A</p> <p> 9 mm / 0.35 in</p> <p>② Approvals</p> | <p>2 x AWG 20 - 12</p> |
|------------------------------------------------------------------------------------------------------------------------------------------------------------------------------------------|------------------------|--------------------------------------------------------------------------------------------------------------------------------------------------------------------------------------------|------------------------|



| Description                                                                  | Color   | Item no. | Pack-unit | Color                                 | Item no.        | Pack-unit |
|------------------------------------------------------------------------------|---------|----------|-----------|---------------------------------------|-----------------|-----------|
| Connectors, snap-in device connection, 3 poles, with CAGE CLAMP®S connection | Sockets |          |           | Sockets with protruding coding system |                 |           |
|                                                                              | black   | 770-703  | ● 100     | black                                 | 770-703/009-000 | ● 100     |
|                                                                              | white   | 770-723  | ○ 100     | white                                 | 770-723/009-000 | ○ 100     |
|                                                                              | gray    | 770-743  | ● 100     |                                       |                 |           |
|                                                                              | red     | 770-2303 | ● 100     |                                       |                 |           |
|                                                                              | orange  | 770-2343 | ● 100     |                                       |                 |           |
|                                                                              | brown   | 770-2363 | ● 100     |                                       |                 |           |

| Accessories                                                                         |       |         |     |       |         |     |
|-------------------------------------------------------------------------------------|-------|---------|-----|-------|---------|-----|
| Lockout caps, for cut-out                                                           |       |         |     |       |         |     |
|  | black | 770-643 | 100 | black | 770-643 | 100 |
|                                                                                     | white | 770-693 | 100 | white | 770-693 | 100 |
| Lockout caps, for socket, separable, 12 poles                                       |       |         |     |       |         |     |
|  | black | 770-201 | 100 | black | 770-201 | 100 |
|                                                                                     | white | 770-221 | 100 | white | 770-221 | 100 |
| Coding pin, for plug                                                                |       |         |     |       |         |     |
|  |       |         |     |       |         |     |

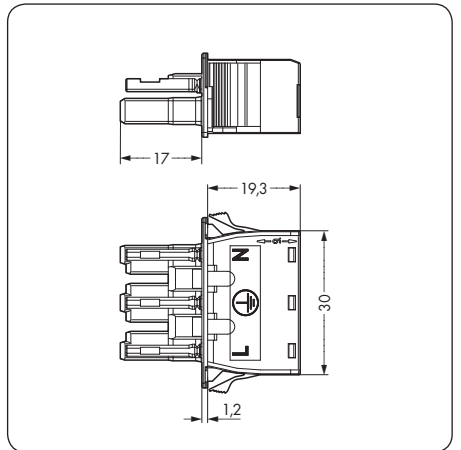
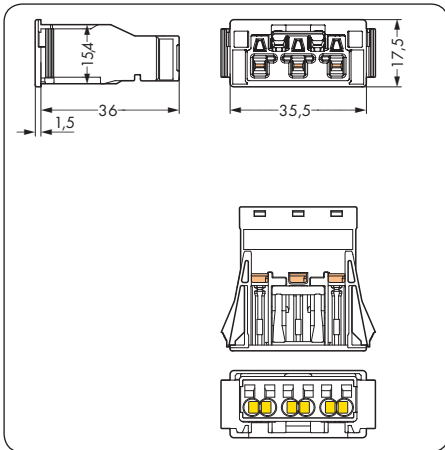
| Info | Dimensions (in mm) |
|------|--------------------|
|------|--------------------|

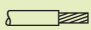
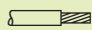
① Wire range: 0.5 - 4 mm<sup>2</sup> "s + f-st"  
0.5 - 2.5 mm<sup>2</sup> "stranded"

② Approval data can be found in the online catalog at [www.wagocatalog.com](http://www.wagocatalog.com)

|          |          |             |
|----------|----------|-------------|
| ● black  | Coding A | (L ⊕ N)     |
| ○ white  | Coding A | (L ⊕ N)     |
| ● gray   | Coding B | (1 2 3)     |
| ● red    | Coding P | (L ⊕ N)     |
| ● orange | Coding R | (LON LON S) |
| ● brown  | Coding S | (1 2 L)     |

Please find some information on the different codings on pages 146 and 147



|                                                                                                                                                                              |                 |                                                                                                                                                                              |                 |
|------------------------------------------------------------------------------------------------------------------------------------------------------------------------------|-----------------|------------------------------------------------------------------------------------------------------------------------------------------------------------------------------|-----------------|
| 2 x 0.5 – 4 mm <sup>2</sup> ①<br>250 V/4 kV/3<br>25 A<br><br> 9 mm / 0.35 in<br>② Approvals | 2 x AWG 20 - 12 | 2 x 0.5 – 4 mm <sup>2</sup> ①<br>250 V/4 kV/3<br>25 A<br><br> 9 mm / 0.35 in<br>② Approvals | 2 x AWG 20 - 12 |
|------------------------------------------------------------------------------------------------------------------------------------------------------------------------------|-----------------|------------------------------------------------------------------------------------------------------------------------------------------------------------------------------|-----------------|



| Color        | Item no.   | Pack.-unit | Color                                                       | Item no.           | Pack.-unit |
|--------------|------------|------------|-------------------------------------------------------------|--------------------|------------|
| <b>Plugs</b> |            |            | <b>Plugs with direct contacting of the ground conductor</b> |                    |            |
| black        | 770-713 ●  | 100        | black                                                       | 770-713/007-000 ●  | 100        |
| white        | 770-733 ○  | 100        | white                                                       | 770-733/007-000 ○  | 100        |
| gray         | 770-753 ●  | 100        | red                                                         | 770-2313/007-000 ● | 100        |
| red          | 770-2313 ● | 100        |                                                             |                    |            |
| orange       | 770-2353 ● | 100        |                                                             |                    |            |
|              |            |            |                                                             |                    |            |
|              |            |            |                                                             |                    |            |
|              |            |            |                                                             |                    |            |
|              |            |            |                                                             |                    |            |
|              |            |            |                                                             |                    |            |
| black        | 770-643    | 100        | black                                                       | 770-643            | 100        |
| white        | 770-693    | 100        | white                                                       | 770-693            | 100        |
|              |            |            |                                                             |                    |            |
|              |            |            |                                                             |                    |            |
|              |            |            |                                                             |                    |            |
|              |            |            |                                                             |                    |            |
| gray         | 770-401    | 100        | gray                                                        | 770-401            | 100        |
|              |            |            |                                                             |                    |            |
|              |            |            |                                                             |                    |            |

**Direct contacting of the ground conductor**



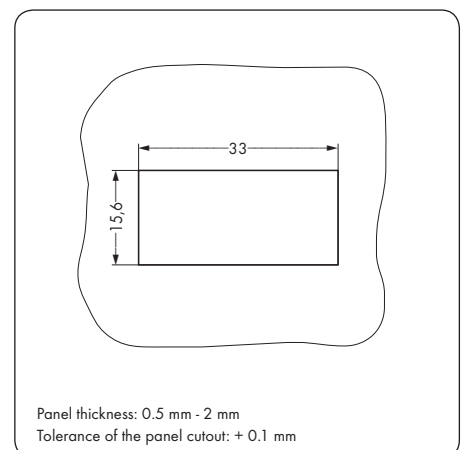
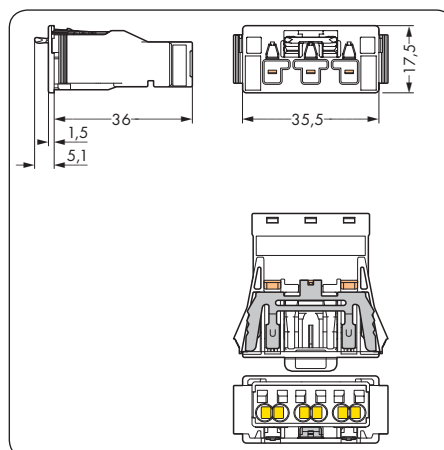
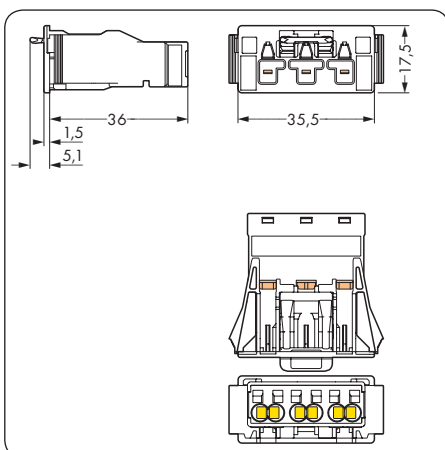
Varnish-piercing direct contacting of the ground conductor. (Example shows 4-pole connector)

**Lockout cap**



Seal unused cutout with lockout cap.


**Dimensions (in mm) cutout**






## Shorting Plugs, 3 Poles Plugs with Ground Contact, 3 to 5 Poles

|  |                                                                                                                                               |                                                             |                                                                 |
|--|-----------------------------------------------------------------------------------------------------------------------------------------------|-------------------------------------------------------------|-----------------------------------------------------------------|
|  | <p>250 V/4 kV/3<br/>20 A<br/><b>NOTE:</b><br/>Before finally connecting the switches, the shorting plugs may be used to switch on or off.</p> | <p>2 x 0.5 – 4 mm<sup>2</sup><br/>250 V/4 kV/3<br/>25 A</p> | <p>2 x AWG 20 - 12</p> <p>9 mm / 0.35 in</p> <p>ⓘ Approvals</p> |
|--|-----------------------------------------------------------------------------------------------------------------------------------------------|-------------------------------------------------------------|-----------------------------------------------------------------|



| Description                          | Marking                                                                           | Item no.                                                            | Pack.-unit | Color                                                                                                                             | Item no.          | Pack.-unit |
|--------------------------------------|-----------------------------------------------------------------------------------|---------------------------------------------------------------------|------------|-----------------------------------------------------------------------------------------------------------------------------------|-------------------|------------|
| Shorting plugs,<br>device connectors |  | Shorting plugs,<br>brown plugs with assembled strain relief housing |            | Plugs, with ground contact,<br>3- / 4- / 5-pole, <b>without</b> strain relief housing;<br>e.g., for assembly on luminaire casings |                   |            |
|                                      |                                                                                   |                                                                     |            | black                                                                                                                             | 770-213/002-000 ● | 25         |
|                                      |                                                                                   |                                                                     |            | white                                                                                                                             | 770-233/002-000 ○ | 25         |
|                                      |                                                                                   |                                                                     |            | Delivery time and other colors on request.                                                                                        |                   |            |
|                                      |                                                                                   |                                                                     |            |                                                                                                                                   |                   |            |

| Accessories                                                                                                                                     |       |         |              |       |         |              |
|-------------------------------------------------------------------------------------------------------------------------------------------------|-------|---------|--------------|-------|---------|--------------|
| <br>Locking levers, manually operated,<br>for "flying leads" | black | 770-101 | 100 (4 x 25) | black | 770-101 | 100 (4 x 25) |
|                                                                                                                                                 | white | 770-121 | 100 (4 x 25) | white | 770-121 | 100 (4 x 25) |
| <br>Locking levers, tool operated,<br>for "flying leads"     | black | 770-111 | 100 (4 x 25) | black | 770-111 | 100 (4 x 25) |
|                                                                                                                                                 | white | 770-131 | 100 (4 x 25) | white | 770-131 | 100 (4 x 25) |
| <br>Lockout caps, for socket,<br>separable,<br>12 poles      |       |         |              |       |         |              |

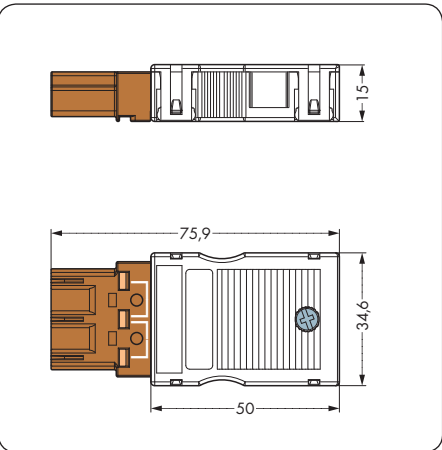
| Info | Dimensions (in mm) | Use |
|------|--------------------|-----|
|------|--------------------|-----|

ⓘ Approval data can be found in the online catalog at [www.wagocatalog.com](http://www.wagocatalog.com)

Ⓜ Internal connection via 0.8 mm / 0.031 in thick current bars is possible. Other thicknesses on request

● black Coding A (L ⊕ N)  
○ white Coding A (L ⊕ N)  
● brown Coding S

Please find some information on the different codings on pages 146 and 147



Plug with ground contact mounted on luminaire (example shows 5-pole plug).



# Device Connectors, 3 Poles

|                                         |                                         |
|-----------------------------------------|-----------------------------------------|
| 250 V/4 kV/3<br>25 A<br><br>① Approvals | 250 V/4 kV/3<br>25 A<br><br>① Approvals |
|-----------------------------------------|-----------------------------------------|

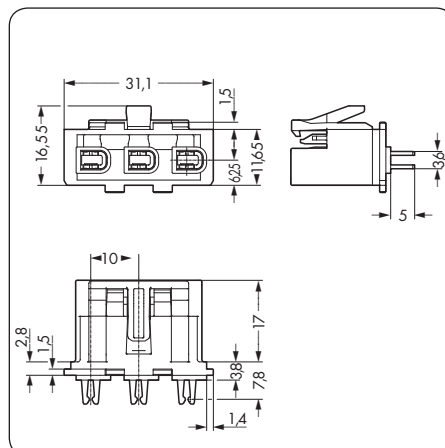
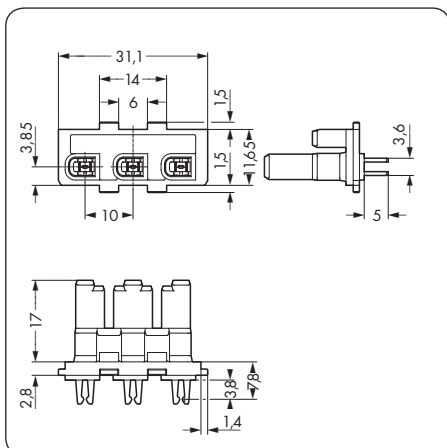


| Color            | Item no. | Pack.-unit   | Color                             | Item no. | Pack.-unit |
|------------------|----------|--------------|-----------------------------------|----------|------------|
| Socket modules ② |          |              | Plug modules with locking lever ② |          |            |
| black            | 770-408  | ● 100        | black                             | 770-418  | ● 100      |
| white            | 770-428  | ○ 100        | white                             | 770-438  | ○ 100      |
|                  |          |              |                                   |          |            |
|                  |          |              |                                   |          |            |
|                  |          |              |                                   |          |            |
|                  |          |              |                                   |          |            |
|                  |          |              |                                   |          |            |
|                  |          |              |                                   |          |            |
|                  |          |              |                                   |          |            |
|                  |          |              |                                   |          |            |
|                  |          |              |                                   |          |            |
| black            | 770-101  | 100 (4 x 25) |                                   |          |            |
| white            | 770-121  | 100 (4 x 25) |                                   |          |            |
|                  |          |              |                                   |          |            |
|                  |          |              |                                   |          |            |
| black            | 770-111  | 100 (4 x 25) |                                   |          |            |
| white            | 770-131  | 100 (4 x 25) |                                   |          |            |
|                  |          |              |                                   |          |            |
|                  |          |              |                                   |          |            |
| black            | 770-201  | 100          |                                   |          |            |
| white            | 770-221  | 100          |                                   |          |            |
|                  |          |              |                                   |          |            |
|                  |          |              |                                   |          |            |



Device connectors are designed for the cost-effective mounting in corresponding guide slots in an enclosure. The internal electrical connection is performed by contacting the 0.8 mm/0.031 in thick current bars. ②



## Dimensions (in mm)



|  |                                           |                                           |
|--|-------------------------------------------|-------------------------------------------|
|  | 250 V/4 kV/3<br>25 A ①<br><br>② Approvals | 250 V/4 kV/3<br>25 A ①<br><br>② Approvals |
|--|-------------------------------------------|-------------------------------------------|



| Description                               | Color                  | Item no.  | Pack.-unit | Color                | Item no.  | Pack.-unit |
|-------------------------------------------|------------------------|-----------|------------|----------------------|-----------|------------|
| PCB connectors,<br>2 solder pins per pole | Sockets, straight type |           |            | Plugs, straight type |           |            |
|                                           | black                  | 770-803 ● | 100        | black                | 770-813 ● | 100        |
|                                           | white                  | 770-823 ○ | 100        | white                | 770-833 ○ | 100        |
|                                           | gray                   | 770-843 ● | 100        | gray                 | 770-853 ● | 100        |

| Accessories                                                                                                                             |       |         |     |      |         |     |
|-----------------------------------------------------------------------------------------------------------------------------------------|-------|---------|-----|------|---------|-----|
| Lockout caps, for socket,<br> separable,<br>12 poles | black | 770-201 | 100 |      |         |     |
|                                                                                                                                         | white | 770-221 | 100 |      |         |     |
| Coding pin, for plug<br>                             |       |         |     | gray | 770-401 | 100 |

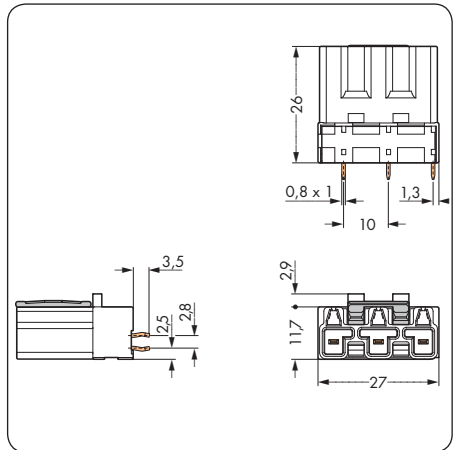
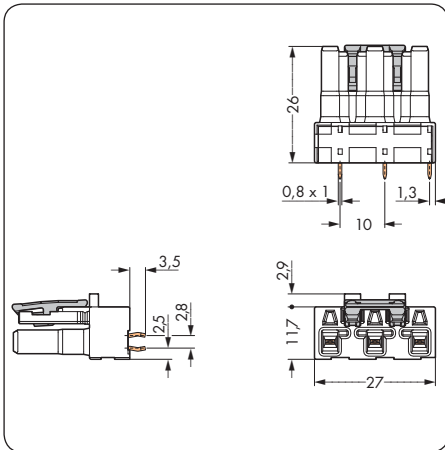
| Info | Dimensions (in mm) |
|------|--------------------|
|------|--------------------|

① Current load see table on page 33

② Approval data can be found in the online catalog at [www.wagocatalog.com](http://www.wagocatalog.com)

● black Coding A (L ⊕ N)  
 ○ white Coding A (L ⊕ N)  
 ● gray Coding B (1 2 3)

Please find some information on the different codings on pages 146 and 147



|                                           |                                           |
|-------------------------------------------|-------------------------------------------|
| 250 V/4 kV/3<br>25 A ①<br><br>② Approvals | 250 V/4 kV/3<br>25 A ①<br><br>② Approvals |
|-------------------------------------------|-------------------------------------------|

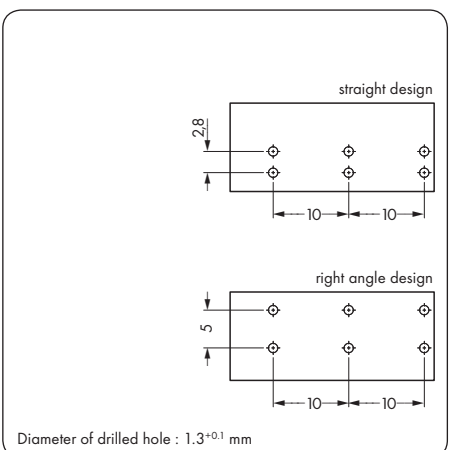
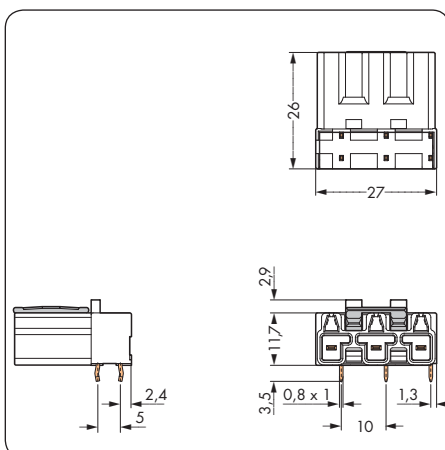
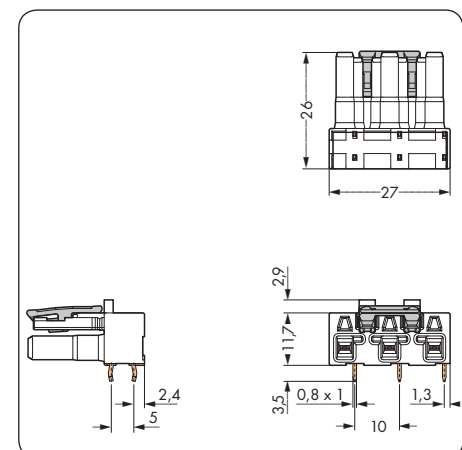


① Depends on the PCB track dimensions

| Nominal current | Thickness of PCB track | Width of PCB track | Conductor cross section       |
|-----------------|------------------------|--------------------|-------------------------------|
| 16 A            | 70 µm one side         | 7 mm / 0.27 in     | △1.5 mm <sup>2</sup> / AWG 16 |
| 20 A            | 70 µm one side         | 7 mm               | △2.5 mm <sup>2</sup> / AWG 14 |
| 25 A            | 105 µm both sides      | 7 mm               | △4 mm <sup>2</sup> / AWG 12   |

| Color                       | Item no.                 | Pack.-unit | Color                     | Item no.                 | Pack.-unit |
|-----------------------------|--------------------------|------------|---------------------------|--------------------------|------------|
| <b>Sockets, angled type</b> |                          |            | <b>Plugs, angled type</b> |                          |            |
| black                       | <b>770-803/011-000</b> ● | 100        | black                     | <b>770-813/011-000</b> ● | 100        |
| white                       | <b>770-823/011-000</b> ○ | 100        | white                     | <b>770-833/011-000</b> ○ | 100        |
| gray                        | <b>770-843/011-000</b> ● | 100        | gray                      | <b>770-853/011-000</b> ● | 100        |
|                             |                          |            |                           |                          |            |
|                             |                          |            |                           |                          |            |
|                             |                          |            |                           |                          |            |
|                             |                          |            |                           |                          |            |
|                             |                          |            |                           |                          |            |
|                             |                          |            |                           |                          |            |
|                             |                          |            |                           |                          |            |
| black                       | <b>770-201</b>           | 100        |                           |                          |            |
| white                       | <b>770-221</b>           | 100        |                           |                          |            |
|                             |                          |            |                           |                          |            |
|                             |                          |            |                           |                          |            |
|                             |                          |            |                           |                          |            |
|                             |                          |            |                           |                          |            |
|                             |                          |            |                           |                          |            |
|                             |                          |            |                           |                          |            |
|                             |                          |            |                           |                          |            |
|                             |                          |            |                           |                          |            |
|                             |                          |            |                           |                          |            |
|                             |                          |            |                           |                          |            |
|                             |                          |            |                           |                          |            |
|                             |                          |            | gray                      | <b>770-401</b>           | 100        |
|                             |                          |            |                           |                          |            |
|                             |                          |            |                           |                          |            |
|                             |                          |            |                           |                          |            |
|                             |                          |            |                           |                          |            |
|                             |                          |            |                           |                          |            |
|                             |                          |            |                           |                          |            |
|                             |                          |            |                           |                          |            |
|                             |                          |            |                           |                          |            |
|                             |                          |            |                           |                          |            |
|                             |                          |            |                           |                          |            |

Hole patterns





Intermediate Couplers and T-Distribution Connectors, 3 Poles

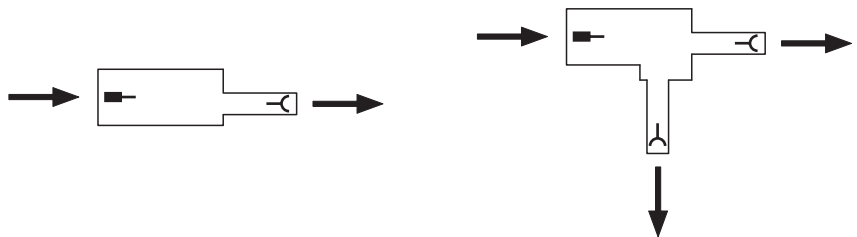
|  |                                                 |                                                 |
|--|-------------------------------------------------|-------------------------------------------------|
|  | <p>250 V/4 kV/3<br/>25 A</p> <p>① Approvals</p> | <p>250 V/4 kV/3<br/>25 A</p> <p>① Approvals</p> |
|--|-------------------------------------------------|-------------------------------------------------|



| Description                                    | Color                                        | Item no.       | Pack.-unit                                 | Color                                            | Item no.       | Pack.-unit |
|------------------------------------------------|----------------------------------------------|----------------|--------------------------------------------|--------------------------------------------------|----------------|------------|
| Intermediate couplers, distribution connectors | Intermediate couplers, 1 x plug / 1 x socket |                |                                            | T-distribution connectors, 1 x plug / 2 x socket |                |            |
|                                                |                                              |                |                                            | black                                            | <b>770-606</b> | ● 50       |
|                                                |                                              |                |                                            | white                                            | <b>770-656</b> | ○ 50       |
|                                                | black                                        | <b>770-603</b> | ● 100                                      | gray                                             | <b>770-967</b> | ● 50       |
|                                                | white                                        | <b>770-653</b> | ○ 100                                      | orange                                           | <b>770-667</b> | ● 50       |
|                                                |                                              |                | for "flying leads", with 3rd locking lever |                                                  |                |            |
|                                                |                                              |                | black                                      | <b>770-615</b>                                   | ● 50           |            |
|                                                |                                              |                | white                                      | <b>770-665</b>                                   | ○ 50           |            |
|                                                |                                              |                | gray                                       | <b>770-970</b>                                   | ● 50           |            |
|                                                |                                              |                | orange                                     | <b>770-670</b>                                   | ● 50           |            |

| Accessories                                                                                                                                                                                                                                                            |  |  |  |       |                |     |
|------------------------------------------------------------------------------------------------------------------------------------------------------------------------------------------------------------------------------------------------------------------------|--|--|--|-------|----------------|-----|
| <p><b>Mounting plates</b>, for snapping on distribution connectors, handling see page 35</p>  <p><b>Fixing pin</b>, for mounting plates, 6.1 x 2.5-4 mm / 0.24 x 0.098-0.157 in</p> |  |  |  |       |                |     |
| <p><b>Lockout caps</b>, for socket, separable, 12 poles</p>                                                                                                                         |  |  |  | black | <b>770-201</b> | 100 |
|                                                                                                                                                                                                                                                                        |  |  |  | white | <b>770-221</b> | 100 |

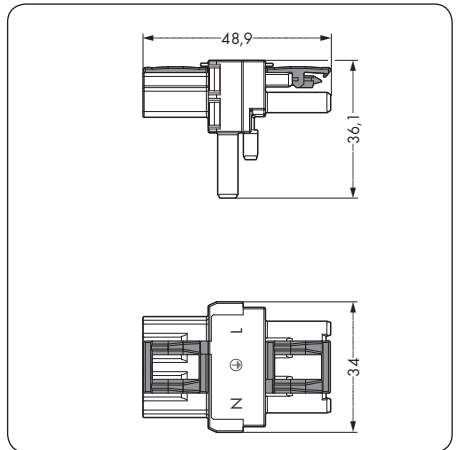
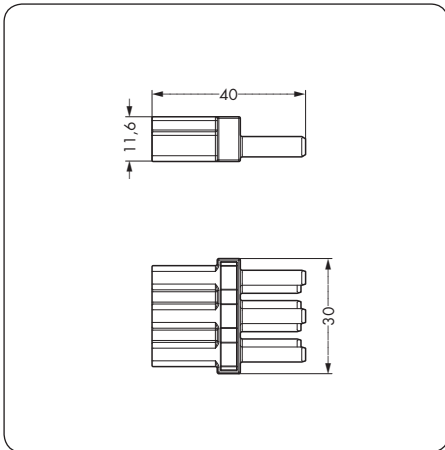
| Info | Dimensions (in mm) |
|------|--------------------|
|------|--------------------|



① Approval data can be found in the online catalog at [www.wagocatalog.com](http://www.wagocatalog.com)

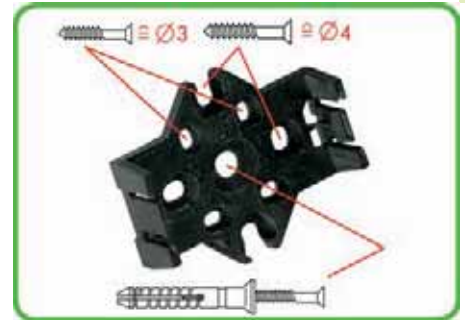
- black Coding A (L ⊕ N)
- white Coding A (L ⊕ N)
- gray Coding B (1 2 3)
- red Coding P (L ⊕ N)
- orange Coding R (LON LON S)

Please find some information on the different codings on pages 146 and 147



# h-Distribution Connectors, 3 Poles

|                      |                      |
|----------------------|----------------------|
| 250 V/4 kV/3<br>25 A | 250 V/4 kV/3<br>25 A |
| ① Approvals          | ① Approvals          |



The mounting plates for distribution connectors can be mounted using commercially available screws or nail-drive anchors.

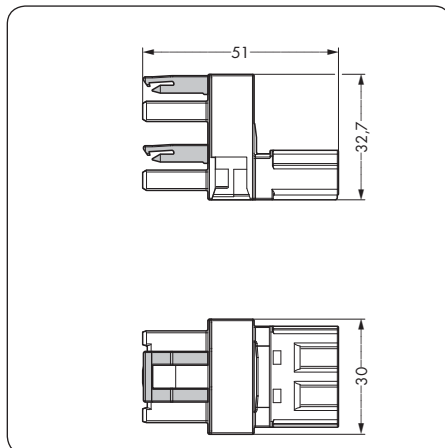
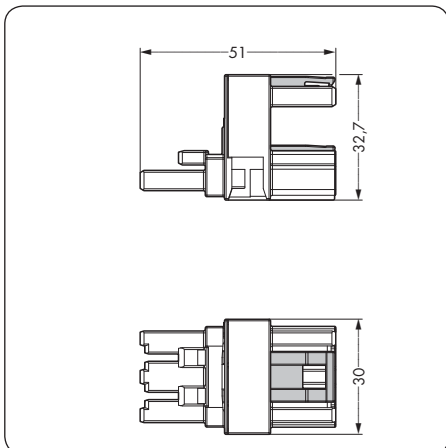
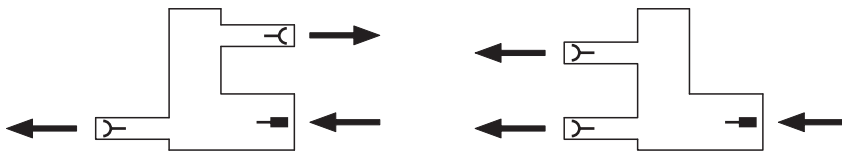
| Color                                                             | Item no.  | Pack.-unit | Color                                                             | Item no.  | Pack.-unit |
|-------------------------------------------------------------------|-----------|------------|-------------------------------------------------------------------|-----------|------------|
| h-distribution connectors, bi-directional, plug - socket / socket |           |            | h-distribution connectors, unidirectional, plug / socket - socket |           |            |
| black                                                             | 770-633 ● | 50         | black                                                             | 770-634 ● | 50         |
| white                                                             | 770-683 ○ | 50         | white                                                             | 770-684 ○ | 50         |
| for "flying leads", with 3rd locking lever                        |           |            | for "flying leads", with 3rd locking lever                        |           |            |
| black                                                             | 770-635 ● | 50         | black                                                             | 770-636 ● | 50         |
| white                                                             | 770-685 ○ | 50         | white                                                             | 770-686 ○ | 50         |
| black                                                             | 770-623   | 25         | black                                                             | 770-623   | 25         |
| white                                                             | 770-673   | 25         | white                                                             | 770-673   | 25         |
| black                                                             | 770-601   | 250        | black                                                             | 770-601   | 250        |
| black                                                             | 770-201   | 100        | black                                                             | 770-201   | 100        |
| white                                                             | 770-221   | 100        | white                                                             | 770-221   | 100        |



The distribution connectors are latched when mounted on the mounting plate.



All distribution connector connections are locked and protected against accidental disconnection directly after mating. Locking of any connection is released using a screwdriver, even if all connections are used.





To release the distribution connector, unlock the latch using a screwdriver.

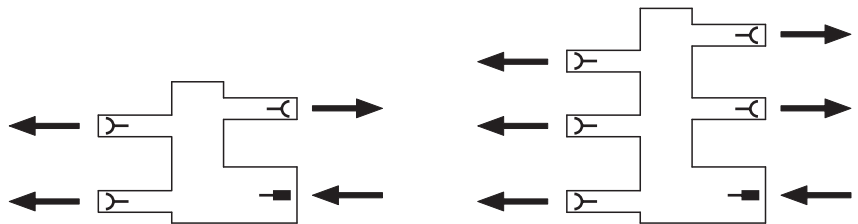
|  |                      |                      |
|--|----------------------|----------------------|
|  | 250 V/4 kV/3<br>25 A | 250 V/4 kV/3<br>25 A |
|  | ① Approvals          | ① Approvals          |



| Description                        | Color                                                 | Item no. | Pack-unit | Color                                                 | Item no. | Pack-unit |
|------------------------------------|-------------------------------------------------------|----------|-----------|-------------------------------------------------------|----------|-----------|
| Distribution connectors, pluggable | Distribution connectors, 3-way, 1 x plug / 3 x socket |          |           | Distribution connectors, 5-way, 1 x plug / 5 x socket |          |           |
|                                    | black                                                 | 770-607  | ● 25      | black                                                 | 770-608  | ● 25      |
|                                    | white                                                 | 770-657  | ○ 25      | white                                                 | 770-658  | ○ 25      |
|                                    | red                                                   | 770-907  | ● 25      |                                                       |          |           |

| Accessories                                                                                                                                                                                                                                                      |       |         |     |       |         |     |
|------------------------------------------------------------------------------------------------------------------------------------------------------------------------------------------------------------------------------------------------------------------|-------|---------|-----|-------|---------|-----|
| <br><b>Mounting plates</b> , for snapping on distribution connectors, handling see page 35<br><b>Fixing pin</b> , for mounting plates, 6.1 x 2.5-4 mm / 0.24 x 0.098-0.157 in | black | 770-623 | 25  | black | 770-623 | 25  |
|                                                                                                                                                                                                                                                                  | white | 770-673 | 25  | white | 770-673 | 25  |
| <br><b>Lockout caps</b> , for socket, separable, 12 poles                                                                                                                     | black | 770-201 | 100 | black | 770-201 | 100 |
|                                                                                                                                                                                                                                                                  | white | 770-221 | 100 | white | 770-221 | 100 |

| Info | Dimensions (in mm) |
|------|--------------------|
|------|--------------------|

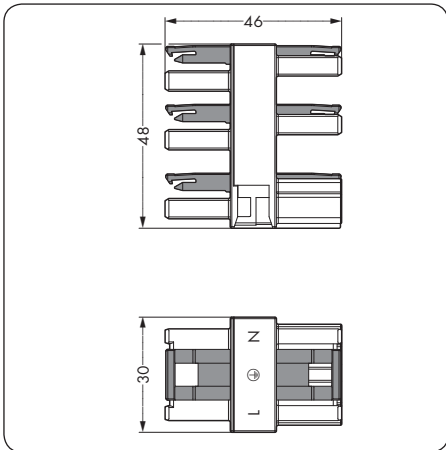
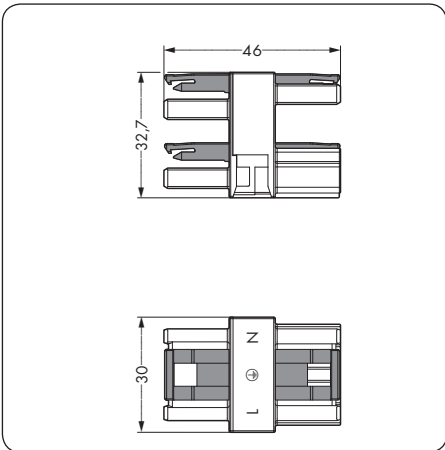


① Approval data can be found in the online catalog at [www.wagocatalog.com](http://www.wagocatalog.com)

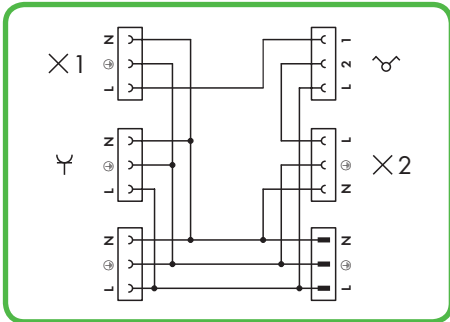
② LL = Locking lever

● black Coding A (L ⊕ N)  
 ○ white Coding A (L ⊕ N)  
 ● red Coding P (L ⊕ N)

Please find some information on the different codings on pages 146 and 147

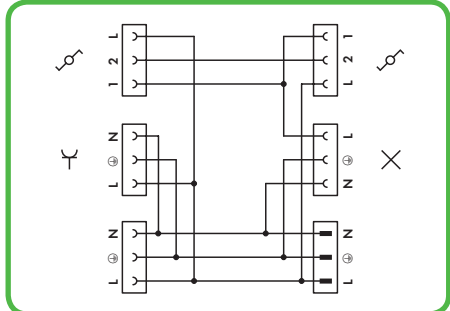


|                      |                      |
|----------------------|----------------------|
| 250 V/4 kV/3<br>25 A | 250 V/4 kV/3<br>25 A |
| ① Approvals          | ① Approvals          |

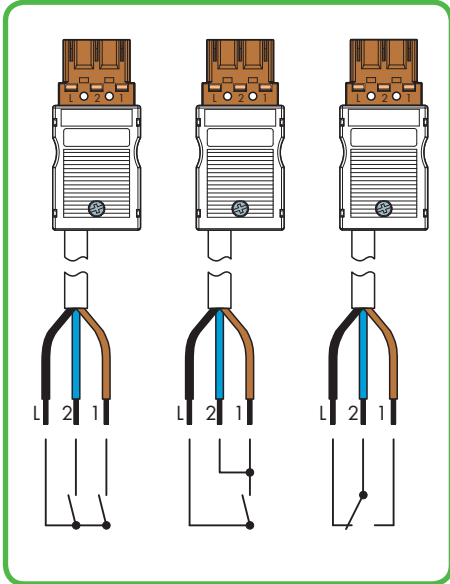


Internal circuit of the 770-637 distribution connector for single-pole switch or series circuits.

| Color                                                                    | Item no.                                                  | Pack.-unit | Color                                                                     | Item no.  | Pack.-unit |
|--------------------------------------------------------------------------|-----------------------------------------------------------|------------|---------------------------------------------------------------------------|-----------|------------|
| <b>Distribution connectors for single-pole switch or series circuits</b> |                                                           |            | <b>Distribution connectors for single-pole switch or two-way circuits</b> |           |            |
|                                                                          | 1 x plug Coding A, LL ② black/white                       |            | 1 x plug Coding A, LL ② black/white                                       |           |            |
|                                                                          | 2 x socket Coding A, LL ② black/white                     |            | 2 x socket Coding A, LL ② black/white                                     |           |            |
|                                                                          | 2 x socket Coding A (lighting fixtures), LL ② white/black |            | 1 x socket Coding A (lighting fixtures), LL ② white/black                 |           |            |
|                                                                          | 1 x socket Coding S (switches), LL ② brown                |            | 2 x socket Coding S (switches), LL ② brown                                |           |            |
| black                                                                    | 770-637 ●                                                 | 10         | black                                                                     | 770-638 ● | 10         |
| white                                                                    | 770-687 ○                                                 | 10         | white                                                                     | 770-688 ○ | 10         |
| black                                                                    | 770-623                                                   | 25         | black                                                                     | 770-623   | 25         |
| white                                                                    | 770-673                                                   | 25         | white                                                                     | 770-673   | 25         |
| black                                                                    | 770-601                                                   | 250        | black                                                                     | 770-601   | 250        |
| black                                                                    | 770-201                                                   | 100        | black                                                                     | 770-201   | 100        |
| white                                                                    | 770-221                                                   | 100        | white                                                                     | 770-221   | 100        |



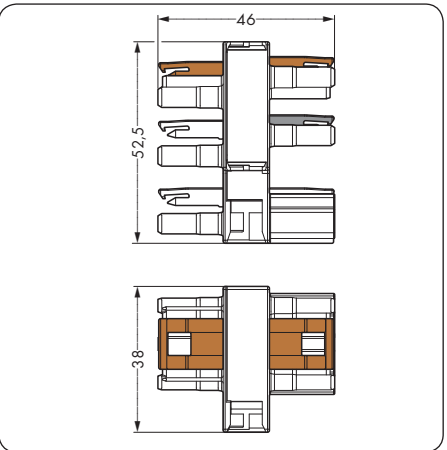
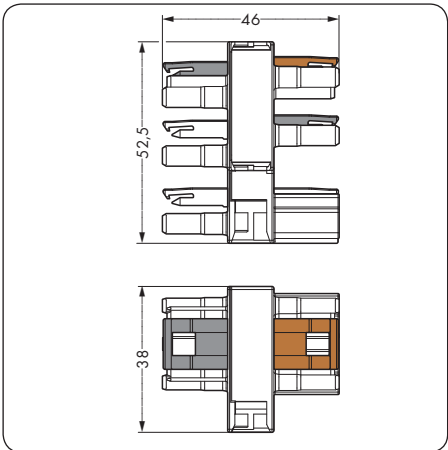
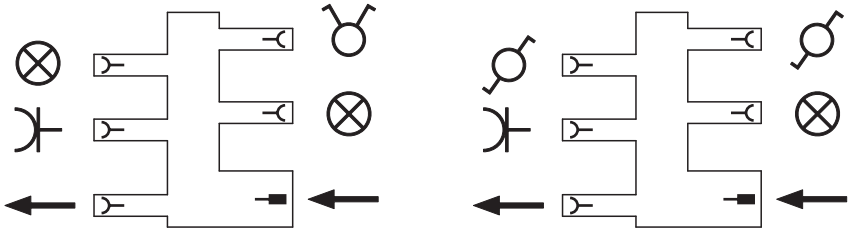
Internal circuit of the 770-638 distribution connector for single-pole switch or two-way circuits.



Cable assembly with coding S for connection to 770-637 and 770-638 distribution connectors see page 40.

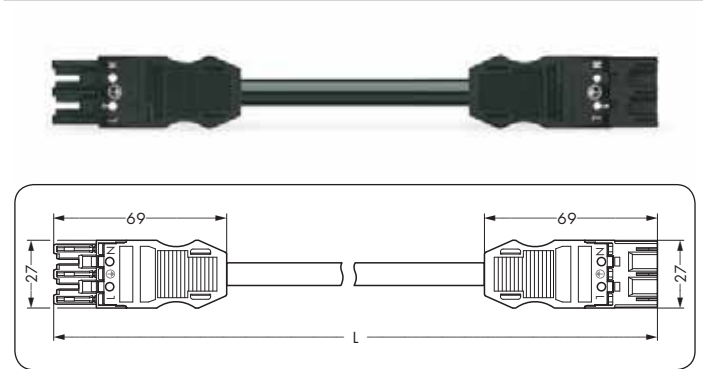
Left: series circuit  
Center: single-pole switch  
Right: two-way circuit

Shorting plug see page 30



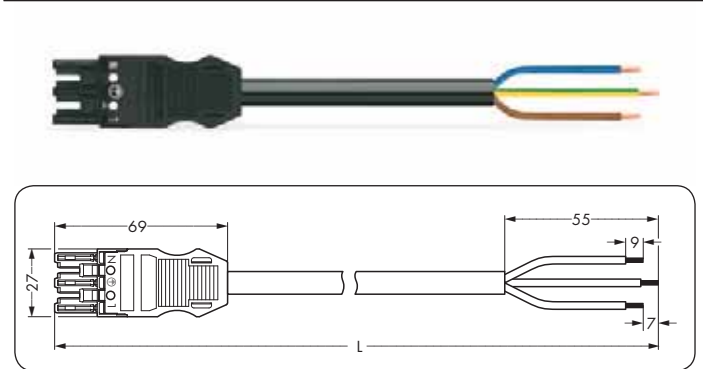
|  |                                                                                                                                            |
|--|--------------------------------------------------------------------------------------------------------------------------------------------|
|  | <p>PVC H05VV-F 3G1.5<br/>halogen-free H05Z1Z1-F 3G1.5</p> <p>250 V/4 kV/3 16 A</p> <p>Wire ends bonded 9 mm/0.35 in</p> <p>① Approvals</p> |
|--|--------------------------------------------------------------------------------------------------------------------------------------------|

Interconnecting cables, socket - plug



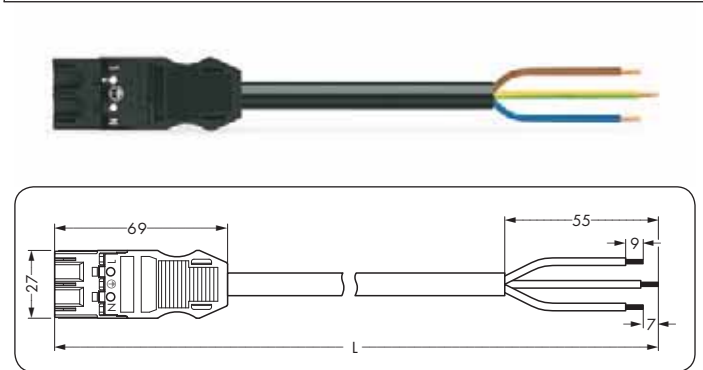
| Length       | Item no. black   | Item no. white | Item no. black   | Item no. white |
|--------------|------------------|----------------|------------------|----------------|
| Coding A ● ○ |                  |                |                  |                |
| PVC          |                  | halogen-free   |                  |                |
| 1 m          | 771-9993/006-101 | .../006-102    | 771-9993/016-101 | .../016-102    |
| 2 m          | 771-9993/006-201 | .../006-202    | 771-9993/016-201 | .../016-202    |
| 3 m          | 771-9993/006-301 | .../006-302    | 771-9993/016-301 | .../016-302    |
| 4 m          | 771-9993/006-401 | .../006-402    | 771-9993/016-401 | .../016-402    |
| 5 m          | 771-9993/006-501 | .../006-502    | 771-9993/016-501 | .../016-502    |
| 6 m          | 771-9993/006-601 | .../006-602    | 771-9993/016-601 | .../016-602    |
| 7 m          | 771-9993/006-701 | .../006-702    | 771-9993/016-701 | .../016-702    |
| 8 m          | 771-9993/006-801 | .../006-802    | 771-9993/016-801 | .../016-802    |

Connecting cables, socket - free end



| Length       | Item no. black   | Item no. white | Item no. black   | Item no. white |
|--------------|------------------|----------------|------------------|----------------|
| Coding A ● ○ |                  |                |                  |                |
| PVC          |                  | halogen-free   |                  |                |
| 1 m          | 771-9993/106-101 | .../106-102    | 771-9993/116-101 | .../116-102    |
| 2 m          | 771-9993/106-201 | .../106-202    | 771-9993/116-201 | .../116-202    |
| 3 m          | 771-9993/106-301 | .../106-302    | 771-9993/116-301 | .../116-302    |
| 4 m          | 771-9993/106-401 | .../106-402    | 771-9993/116-401 | .../116-402    |
| 5 m          | 771-9993/106-501 | .../106-502    | 771-9993/116-501 | .../116-502    |
| 6 m          | 771-9993/106-601 | .../106-602    | 771-9993/116-601 | .../116-602    |
| 7 m          | 771-9993/106-701 | .../106-702    | 771-9993/116-701 | .../116-702    |
| 8 m          | 771-9993/106-801 | .../106-802    | 771-9993/116-801 | .../116-802    |

Connecting cables, plug - free end



| Length       | Item no. black   | Item no. white | Item no. black   | Item no. white |
|--------------|------------------|----------------|------------------|----------------|
| Coding A ● ○ |                  |                |                  |                |
| PVC          |                  | halogen-free   |                  |                |
| 1 m          | 771-9993/206-101 | .../206-102    | 771-9993/216-101 | .../216-102    |
| 2 m          | 771-9993/206-201 | .../206-202    | 771-9993/216-201 | .../216-202    |
| 3 m          | 771-9993/206-301 | .../206-302    | 771-9993/216-301 | .../216-302    |
| 4 m          | 771-9993/206-401 | .../206-402    | 771-9993/216-401 | .../216-402    |
| 5 m          | 771-9993/206-501 | .../206-502    | 771-9993/216-501 | .../216-502    |
| 6 m          | 771-9993/206-601 | .../206-602    | 771-9993/216-601 | .../216-602    |
| 7 m          | 771-9993/206-701 | .../206-702    | 771-9993/216-701 | .../216-702    |
| 8 m          | 771-9993/206-801 | .../206-802    | 771-9993/216-801 | .../216-802    |

Info

① Approval data can be found in the online catalog at [www.wagocatalog.com](http://www.wagocatalog.com)  
 Marine approvals (GL, LR, NV) relate exclusively to cables approved for marine applications!

Other cables on request


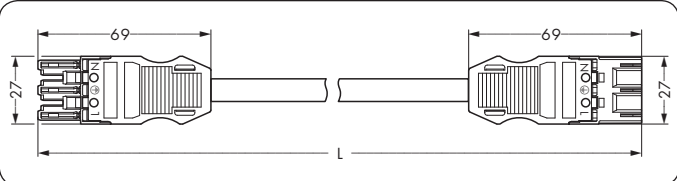

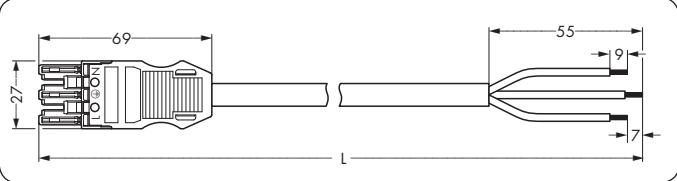

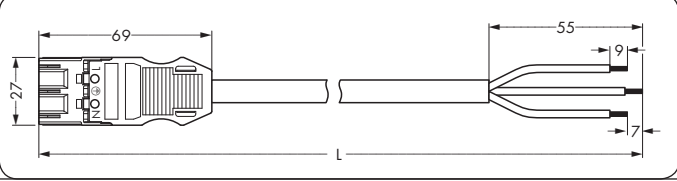
- black Coding A (L ⊕ N)
- white Coding A (L ⊕ N)
- red Coding P (L ⊕ N)


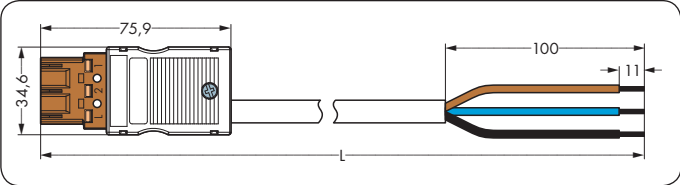

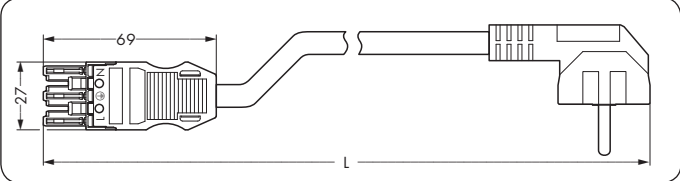

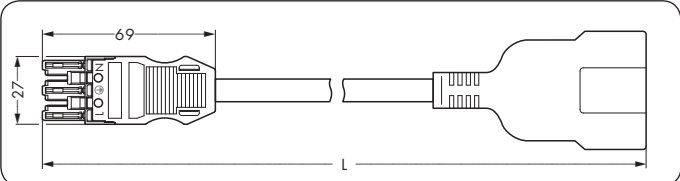
Please find some information on the different codings on pages 146 and 147

Accessories

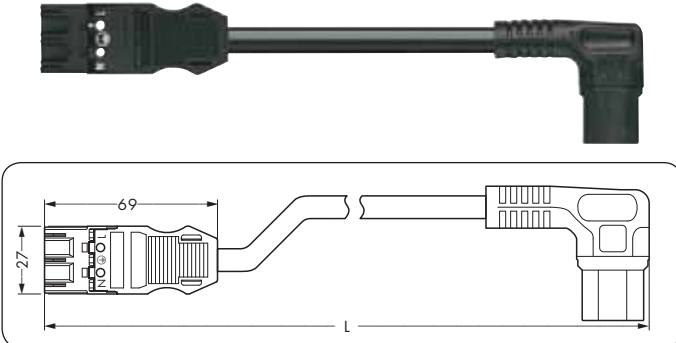
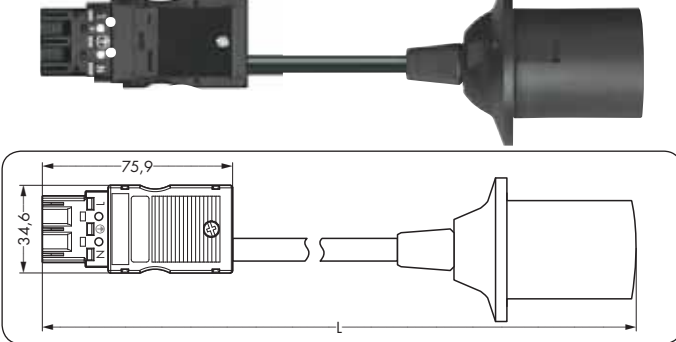
|                                                       |       |         |              |
|-------------------------------------------------------|-------|---------|--------------|
| Locking levers, manually operated, for "flying leads" |       |         |              |
|                                                       | black | 770-101 | 100 (4 x 25) |
|                                                       | white | 770-121 | 100 (4 x 25) |
| Locking levers, tool operated, for "flying leads"     |       |         |              |
|                                                       | black | 770-111 | 100 (4 x 25) |
|                                                       | white | 770-131 | 100 (4 x 25) |
| Lockout caps, for socket, separable, 12 poles         |       |         |              |
|                                                       | black | 770-201 | 100          |
|                                                       | white | 770-221 | 100          |
| Coding pin, for plug                                  |       |         |              |
|                                                       | gray  | 770-401 | 100          |


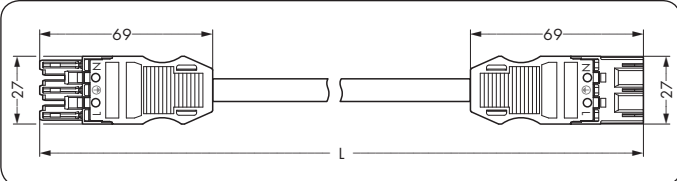

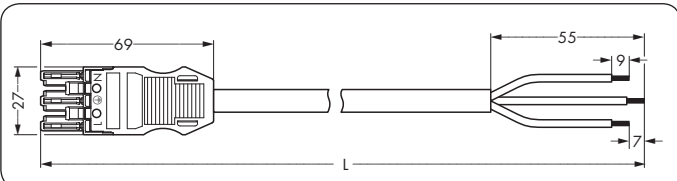





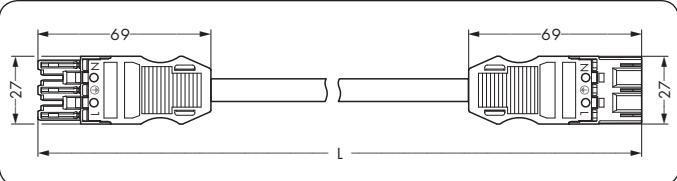

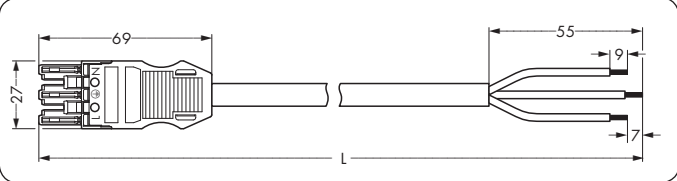

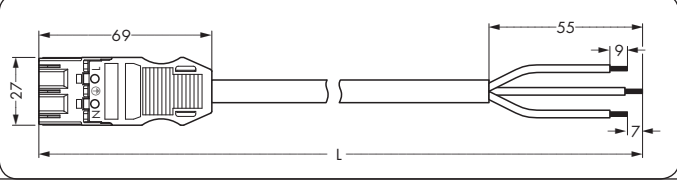
|                                                                                                                                                                            |                   | PVC                                                  | H05VV-F 3G1.5        |
|----------------------------------------------------------------------------------------------------------------------------------------------------------------------------|-------------------|------------------------------------------------------|----------------------|
|                                                                                                                                                                            |                   | halogen-free                                         | H05Z1Z1-F 3G1.5      |
|                                                                                                                                                                            |                   | 250 V/4 kV/3 16 A                                    |                      |
|                                                                                                                                                                            |                   | Wire ends bonded 9 mm/0.35 in                        |                      |
|                                                                                                                                                                            |                   | ① Approvals                                          |                      |
| <b>Interconnecting cables, socket - plug</b>                                                                                                                               | Length            | Item no. black                                       | Item no. black       |
| <br>     | Coding P          | ●                                                    |                      |
|                                                                                                                                                                            | PVC               |                                                      | halogen-free         |
|                                                                                                                                                                            | 1 m               | 771-9973/006-101                                     | 771-9973/016-101     |
|                                                                                                                                                                            | 2 m               | 771-9973/006-201                                     | 771-9973/016-201     |
|                                                                                                                                                                            | 3 m               | 771-9973/006-301                                     | 771-9973/016-301     |
|                                                                                                                                                                            | 4 m               | 771-9973/006-401                                     | 771-9973/016-401     |
|                                                                                                                                                                            | 5 m               | 771-9973/006-501                                     | 771-9973/016-501     |
|                                                                                                                                                                            | 6 m               | 771-9973/006-601                                     | 771-9973/016-601     |
|                                                                                                                                                                            | 7 m               | 771-9973/006-701                                     | 771-9973/016-701     |
|                                                                                                                                                                            | 8 m               | 771-9973/006-801                                     | 771-9973/016-801     |
| <b>Connecting cables, socket - free end</b>                                                                                                                                | Length            | Item no. black                                       | Item no. black       |
| <br>  | Coding P          | ●                                                    |                      |
|                                                                                                                                                                            | PVC               |                                                      | halogen-free         |
|                                                                                                                                                                            | 1 m               | 771-9973/106-101                                     | 771-9973/116-101     |
|                                                                                                                                                                            | 2 m               | 771-9973/106-201                                     | 771-9973/116-201     |
|                                                                                                                                                                            | 3 m               | 771-9973/106-301                                     | 771-9973/116-301     |
|                                                                                                                                                                            | 4 m               | 771-9973/106-401                                     | 771-9973/116-401     |
|                                                                                                                                                                            | 5 m               | 771-9973/106-501                                     | 771-9973/116-501     |
|                                                                                                                                                                            | 6 m               | 771-9973/106-601                                     | 771-9973/116-601     |
|                                                                                                                                                                            | 7 m               | 771-9973/106-701                                     | 771-9973/116-701     |
|                                                                                                                                                                            | 8 m               | 771-9973/106-801                                     | 771-9973/116-801     |
| <b>Connecting cables, plug - free end</b>                                                                                                                                  | Length            | Item no. black                                       | Item no. black       |
| <br> | Coding P          | ●                                                    |                      |
|                                                                                                                                                                            | PVC               |                                                      | halogen-free         |
|                                                                                                                                                                            | 1 m               | 771-9973/206-101                                     | 771-9973/216-101     |
|                                                                                                                                                                            | 2 m               | 771-9973/206-201                                     | 771-9973/216-201     |
|                                                                                                                                                                            | 3 m               | 771-9973/206-301                                     | 771-9973/216-301     |
|                                                                                                                                                                            | 4 m               | 771-9973/206-401                                     | 771-9973/216-401     |
|                                                                                                                                                                            | 5 m               | 771-9973/206-501                                     | 771-9973/216-501     |
|                                                                                                                                                                            | 6 m               | 771-9973/206-601                                     | 771-9973/216-601     |
|                                                                                                                                                                            | 7 m               | 771-9973/206-701                                     | 771-9973/216-701     |
|                                                                                                                                                                            | 8 m               | 771-9973/206-801                                     | 771-9973/216-801     |
| <b>Lengths</b>                                                                                                                                                             | <b>Pack.-unit</b> | <b>Accessories</b>                                   |                      |
| 1 m                                                                                                                                                                        | 50                | <b>Locking levers, manually operated,</b>            |                      |
| 2, 3, 4 m                                                                                                                                                                  | 25                | for "flying leads"                                   |                      |
| 5, 6 m                                                                                                                                                                     | 15                | black                                                | 770-101 100 (4 x 25) |
| 7, 8 m                                                                                                                                                                     | 10                | white                                                | 770-121 100 (4 x 25) |
| Other lengths on request                                                                                                                                                   |                   | <b>Locking levers, tool operated,</b>                |                      |
|                                                                                                                                                                            |                   | for "flying leads"                                   |                      |
|                                                                                                                                                                            |                   | black                                                | 770-111 100 (4 x 25) |
|                                                                                                                                                                            |                   | white                                                | 770-131 100 (4 x 25) |
|                                                                                                                                                                            |                   | <b>Lockout caps, for socket, separable, 12 poles</b> |                      |
|                                                                                                                                                                            |                   | black                                                | 770-201 100          |
|                                                                                                                                                                            |                   | white                                                | 770-221 100          |
|                                                                                                                                                                            |                   | <b>Coding pin, for plug</b>                          |                      |
|                                                                                                                                                                            |                   | gray                                                 | 770-401 100          |

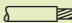
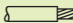
|                                                                                                                                                                                                                                                              | <p>PVC H05VV-F 3x1.5<br/>halogen-free H05Z1Z1-F 3x1.5</p> <p>250 V/4 kV/3 16 A</p> <p>Wire ends bonded 9 mm/0.35 in</p> <p>① Approvals</p>                                                                                                                                                                                                                                                                                                                                                                                                                                                                                                                                                                                                                                                                                                                                      |                  |                              |              |                              |                  |                              |     |                              |                  |                              |                  |                              |     |                              |                  |                              |                  |                  |     |                  |                  |     |                  |                  |     |                  |                  |
|--------------------------------------------------------------------------------------------------------------------------------------------------------------------------------------------------------------------------------------------------------------|---------------------------------------------------------------------------------------------------------------------------------------------------------------------------------------------------------------------------------------------------------------------------------------------------------------------------------------------------------------------------------------------------------------------------------------------------------------------------------------------------------------------------------------------------------------------------------------------------------------------------------------------------------------------------------------------------------------------------------------------------------------------------------------------------------------------------------------------------------------------------------|------------------|------------------------------|--------------|------------------------------|------------------|------------------------------|-----|------------------------------|------------------|------------------------------|------------------|------------------------------|-----|------------------------------|------------------|------------------------------|------------------|------------------|-----|------------------|------------------|-----|------------------|------------------|-----|------------------|------------------|
| Interconnecting cables, plug - free end ②                                                                                                                                                                                                                    | <p>Length Item no.<br/>black</p> <p>Item no.<br/>black</p> <p>Connecting cables for distribution connectors (series and two-way circuits), coding S ●</p> <table border="1"> <thead> <tr> <th></th> <th>PVC</th> <th>halogen-free</th> </tr> </thead> <tbody> <tr><td>1 m</td><td>771-8973/206-104</td><td>771-8973/216-104</td></tr> <tr><td>2 m</td><td>771-8973/206-204</td><td>771-8973/216-204</td></tr> <tr><td>3 m</td><td>771-8973/206-304</td><td>771-8973/216-304</td></tr> <tr><td>4 m</td><td>771-8973/206-404</td><td>771-8973/216-404</td></tr> <tr><td>5 m</td><td>771-8973/206-504</td><td>771-8973/216-504</td></tr> <tr><td>6 m</td><td>771-8973/206-604</td><td>771-8973/216-604</td></tr> <tr><td>7 m</td><td>771-8973/206-704</td><td>771-8973/216-704</td></tr> <tr><td>8 m</td><td>771-8973/206-804</td><td>771-8973/216-804</td></tr> </tbody> </table> |                  | PVC                          | halogen-free | 1 m                          | 771-8973/206-104 | 771-8973/216-104             | 2 m | 771-8973/206-204             | 771-8973/216-204 | 3 m                          | 771-8973/206-304 | 771-8973/216-304             | 4 m | 771-8973/206-404             | 771-8973/216-404 | 5 m                          | 771-8973/206-504 | 771-8973/216-504 | 6 m | 771-8973/206-604 | 771-8973/216-604 | 7 m | 771-8973/206-704 | 771-8973/216-704 | 8 m | 771-8973/206-804 | 771-8973/216-804 |
|                                                                                                                                                                                                                                                              | PVC                                                                                                                                                                                                                                                                                                                                                                                                                                                                                                                                                                                                                                                                                                                                                                                                                                                                             | halogen-free     |                              |              |                              |                  |                              |     |                              |                  |                              |                  |                              |     |                              |                  |                              |                  |                  |     |                  |                  |     |                  |                  |     |                  |                  |
| 1 m                                                                                                                                                                                                                                                          | 771-8973/206-104                                                                                                                                                                                                                                                                                                                                                                                                                                                                                                                                                                                                                                                                                                                                                                                                                                                                | 771-8973/216-104 |                              |              |                              |                  |                              |     |                              |                  |                              |                  |                              |     |                              |                  |                              |                  |                  |     |                  |                  |     |                  |                  |     |                  |                  |
| 2 m                                                                                                                                                                                                                                                          | 771-8973/206-204                                                                                                                                                                                                                                                                                                                                                                                                                                                                                                                                                                                                                                                                                                                                                                                                                                                                | 771-8973/216-204 |                              |              |                              |                  |                              |     |                              |                  |                              |                  |                              |     |                              |                  |                              |                  |                  |     |                  |                  |     |                  |                  |     |                  |                  |
| 3 m                                                                                                                                                                                                                                                          | 771-8973/206-304                                                                                                                                                                                                                                                                                                                                                                                                                                                                                                                                                                                                                                                                                                                                                                                                                                                                | 771-8973/216-304 |                              |              |                              |                  |                              |     |                              |                  |                              |                  |                              |     |                              |                  |                              |                  |                  |     |                  |                  |     |                  |                  |     |                  |                  |
| 4 m                                                                                                                                                                                                                                                          | 771-8973/206-404                                                                                                                                                                                                                                                                                                                                                                                                                                                                                                                                                                                                                                                                                                                                                                                                                                                                | 771-8973/216-404 |                              |              |                              |                  |                              |     |                              |                  |                              |                  |                              |     |                              |                  |                              |                  |                  |     |                  |                  |     |                  |                  |     |                  |                  |
| 5 m                                                                                                                                                                                                                                                          | 771-8973/206-504                                                                                                                                                                                                                                                                                                                                                                                                                                                                                                                                                                                                                                                                                                                                                                                                                                                                | 771-8973/216-504 |                              |              |                              |                  |                              |     |                              |                  |                              |                  |                              |     |                              |                  |                              |                  |                  |     |                  |                  |     |                  |                  |     |                  |                  |
| 6 m                                                                                                                                                                                                                                                          | 771-8973/206-604                                                                                                                                                                                                                                                                                                                                                                                                                                                                                                                                                                                                                                                                                                                                                                                                                                                                | 771-8973/216-604 |                              |              |                              |                  |                              |     |                              |                  |                              |                  |                              |     |                              |                  |                              |                  |                  |     |                  |                  |     |                  |                  |     |                  |                  |
| 7 m                                                                                                                                                                                                                                                          | 771-8973/206-704                                                                                                                                                                                                                                                                                                                                                                                                                                                                                                                                                                                                                                                                                                                                                                                                                                                                | 771-8973/216-704 |                              |              |                              |                  |                              |     |                              |                  |                              |                  |                              |     |                              |                  |                              |                  |                  |     |                  |                  |     |                  |                  |     |                  |                  |
| 8 m                                                                                                                                                                                                                                                          | 771-8973/206-804                                                                                                                                                                                                                                                                                                                                                                                                                                                                                                                                                                                                                                                                                                                                                                                                                                                                | 771-8973/216-804 |                              |              |                              |                  |                              |     |                              |                  |                              |                  |                              |     |                              |                  |                              |                  |                  |     |                  |                  |     |                  |                  |     |                  |                  |
|                                                                                             |                                                                                                                                                                                                                                                                                                                                                                                                                                                                                                                                                                                                                                                                                                                                                                                                                                                                                 |                  |                              |              |                              |                  |                              |     |                              |                  |                              |                  |                              |     |                              |                  |                              |                  |                  |     |                  |                  |     |                  |                  |     |                  |                  |
| Connecting cables, socket - Schuko plug, angled                                                                                                                                                                                                              | <p>Length Item no.<br/>black</p> <p>Item no.<br/>white</p> <p>Coding A ● ○</p> <p>PVC</p> <table border="1"> <tbody> <tr><td>1 m</td><td>771-9993/306-101 .../306-102</td></tr> <tr><td>2 m</td><td>771-9993/306-201 .../306-202</td></tr> <tr><td>3 m</td><td>771-9993/306-301 .../306-302</td></tr> <tr><td>4 m</td><td>771-9993/306-401 .../306-402</td></tr> <tr><td>5 m</td><td>771-9993/306-501 .../306-502</td></tr> <tr><td>6 m</td><td>771-9993/306-601 .../306-602</td></tr> <tr><td>7 m</td><td>771-9993/306-701 .../306-702</td></tr> <tr><td>8 m</td><td>771-9993/306-801 .../306-802</td></tr> </tbody> </table>                                                                                                                                                                                                                                                  | 1 m              | 771-9993/306-101 .../306-102 | 2 m          | 771-9993/306-201 .../306-202 | 3 m              | 771-9993/306-301 .../306-302 | 4 m | 771-9993/306-401 .../306-402 | 5 m              | 771-9993/306-501 .../306-502 | 6 m              | 771-9993/306-601 .../306-602 | 7 m | 771-9993/306-701 .../306-702 | 8 m              | 771-9993/306-801 .../306-802 |                  |                  |     |                  |                  |     |                  |                  |     |                  |                  |
| 1 m                                                                                                                                                                                                                                                          | 771-9993/306-101 .../306-102                                                                                                                                                                                                                                                                                                                                                                                                                                                                                                                                                                                                                                                                                                                                                                                                                                                    |                  |                              |              |                              |                  |                              |     |                              |                  |                              |                  |                              |     |                              |                  |                              |                  |                  |     |                  |                  |     |                  |                  |     |                  |                  |
| 2 m                                                                                                                                                                                                                                                          | 771-9993/306-201 .../306-202                                                                                                                                                                                                                                                                                                                                                                                                                                                                                                                                                                                                                                                                                                                                                                                                                                                    |                  |                              |              |                              |                  |                              |     |                              |                  |                              |                  |                              |     |                              |                  |                              |                  |                  |     |                  |                  |     |                  |                  |     |                  |                  |
| 3 m                                                                                                                                                                                                                                                          | 771-9993/306-301 .../306-302                                                                                                                                                                                                                                                                                                                                                                                                                                                                                                                                                                                                                                                                                                                                                                                                                                                    |                  |                              |              |                              |                  |                              |     |                              |                  |                              |                  |                              |     |                              |                  |                              |                  |                  |     |                  |                  |     |                  |                  |     |                  |                  |
| 4 m                                                                                                                                                                                                                                                          | 771-9993/306-401 .../306-402                                                                                                                                                                                                                                                                                                                                                                                                                                                                                                                                                                                                                                                                                                                                                                                                                                                    |                  |                              |              |                              |                  |                              |     |                              |                  |                              |                  |                              |     |                              |                  |                              |                  |                  |     |                  |                  |     |                  |                  |     |                  |                  |
| 5 m                                                                                                                                                                                                                                                          | 771-9993/306-501 .../306-502                                                                                                                                                                                                                                                                                                                                                                                                                                                                                                                                                                                                                                                                                                                                                                                                                                                    |                  |                              |              |                              |                  |                              |     |                              |                  |                              |                  |                              |     |                              |                  |                              |                  |                  |     |                  |                  |     |                  |                  |     |                  |                  |
| 6 m                                                                                                                                                                                                                                                          | 771-9993/306-601 .../306-602                                                                                                                                                                                                                                                                                                                                                                                                                                                                                                                                                                                                                                                                                                                                                                                                                                                    |                  |                              |              |                              |                  |                              |     |                              |                  |                              |                  |                              |     |                              |                  |                              |                  |                  |     |                  |                  |     |                  |                  |     |                  |                  |
| 7 m                                                                                                                                                                                                                                                          | 771-9993/306-701 .../306-702                                                                                                                                                                                                                                                                                                                                                                                                                                                                                                                                                                                                                                                                                                                                                                                                                                                    |                  |                              |              |                              |                  |                              |     |                              |                  |                              |                  |                              |     |                              |                  |                              |                  |                  |     |                  |                  |     |                  |                  |     |                  |                  |
| 8 m                                                                                                                                                                                                                                                          | 771-9993/306-801 .../306-802                                                                                                                                                                                                                                                                                                                                                                                                                                                                                                                                                                                                                                                                                                                                                                                                                                                    |                  |                              |              |                              |                  |                              |     |                              |                  |                              |                  |                              |     |                              |                  |                              |                  |                  |     |                  |                  |     |                  |                  |     |                  |                  |
|                                                                                          |                                                                                                                                                                                                                                                                                                                                                                                                                                                                                                                                                                                                                                                                                                                                                                                                                                                                                 |                  |                              |              |                              |                  |                              |     |                              |                  |                              |                  |                              |     |                              |                  |                              |                  |                  |     |                  |                  |     |                  |                  |     |                  |                  |
| Connecting cables, plug - Schuko socket                                                                                                                                                                                                                      | <p>Length Item no.<br/>black</p> <p>Item no.<br/>white</p> <p>Coding A ● ○</p> <p>PVC</p> <table border="1"> <tbody> <tr><td>1 m</td><td>771-9993/406-101 .../406-102</td></tr> <tr><td>2 m</td><td>771-9993/406-201 .../406-202</td></tr> <tr><td>3 m</td><td>771-9993/406-301 .../406-302</td></tr> <tr><td>4 m</td><td>771-9993/406-401 .../406-402</td></tr> <tr><td>5 m</td><td>771-9993/406-501 .../406-502</td></tr> <tr><td>6 m</td><td>771-9993/406-601 .../406-602</td></tr> <tr><td>7 m</td><td>771-9993/406-701 .../406-702</td></tr> <tr><td>8 m</td><td>771-9993/406-801 .../406-802</td></tr> </tbody> </table>                                                                                                                                                                                                                                                  | 1 m              | 771-9993/406-101 .../406-102 | 2 m          | 771-9993/406-201 .../406-202 | 3 m              | 771-9993/406-301 .../406-302 | 4 m | 771-9993/406-401 .../406-402 | 5 m              | 771-9993/406-501 .../406-502 | 6 m              | 771-9993/406-601 .../406-602 | 7 m | 771-9993/406-701 .../406-702 | 8 m              | 771-9993/406-801 .../406-802 |                  |                  |     |                  |                  |     |                  |                  |     |                  |                  |
| 1 m                                                                                                                                                                                                                                                          | 771-9993/406-101 .../406-102                                                                                                                                                                                                                                                                                                                                                                                                                                                                                                                                                                                                                                                                                                                                                                                                                                                    |                  |                              |              |                              |                  |                              |     |                              |                  |                              |                  |                              |     |                              |                  |                              |                  |                  |     |                  |                  |     |                  |                  |     |                  |                  |
| 2 m                                                                                                                                                                                                                                                          | 771-9993/406-201 .../406-202                                                                                                                                                                                                                                                                                                                                                                                                                                                                                                                                                                                                                                                                                                                                                                                                                                                    |                  |                              |              |                              |                  |                              |     |                              |                  |                              |                  |                              |     |                              |                  |                              |                  |                  |     |                  |                  |     |                  |                  |     |                  |                  |
| 3 m                                                                                                                                                                                                                                                          | 771-9993/406-301 .../406-302                                                                                                                                                                                                                                                                                                                                                                                                                                                                                                                                                                                                                                                                                                                                                                                                                                                    |                  |                              |              |                              |                  |                              |     |                              |                  |                              |                  |                              |     |                              |                  |                              |                  |                  |     |                  |                  |     |                  |                  |     |                  |                  |
| 4 m                                                                                                                                                                                                                                                          | 771-9993/406-401 .../406-402                                                                                                                                                                                                                                                                                                                                                                                                                                                                                                                                                                                                                                                                                                                                                                                                                                                    |                  |                              |              |                              |                  |                              |     |                              |                  |                              |                  |                              |     |                              |                  |                              |                  |                  |     |                  |                  |     |                  |                  |     |                  |                  |
| 5 m                                                                                                                                                                                                                                                          | 771-9993/406-501 .../406-502                                                                                                                                                                                                                                                                                                                                                                                                                                                                                                                                                                                                                                                                                                                                                                                                                                                    |                  |                              |              |                              |                  |                              |     |                              |                  |                              |                  |                              |     |                              |                  |                              |                  |                  |     |                  |                  |     |                  |                  |     |                  |                  |
| 6 m                                                                                                                                                                                                                                                          | 771-9993/406-601 .../406-602                                                                                                                                                                                                                                                                                                                                                                                                                                                                                                                                                                                                                                                                                                                                                                                                                                                    |                  |                              |              |                              |                  |                              |     |                              |                  |                              |                  |                              |     |                              |                  |                              |                  |                  |     |                  |                  |     |                  |                  |     |                  |                  |
| 7 m                                                                                                                                                                                                                                                          | 771-9993/406-701 .../406-702                                                                                                                                                                                                                                                                                                                                                                                                                                                                                                                                                                                                                                                                                                                                                                                                                                                    |                  |                              |              |                              |                  |                              |     |                              |                  |                              |                  |                              |     |                              |                  |                              |                  |                  |     |                  |                  |     |                  |                  |     |                  |                  |
| 8 m                                                                                                                                                                                                                                                          | 771-9993/406-801 .../406-802                                                                                                                                                                                                                                                                                                                                                                                                                                                                                                                                                                                                                                                                                                                                                                                                                                                    |                  |                              |              |                              |                  |                              |     |                              |                  |                              |                  |                              |     |                              |                  |                              |                  |                  |     |                  |                  |     |                  |                  |     |                  |                  |
|                                                                                         |                                                                                                                                                                                                                                                                                                                                                                                                                                                                                                                                                                                                                                                                                                                                                                                                                                                                                 |                  |                              |              |                              |                  |                              |     |                              |                  |                              |                  |                              |     |                              |                  |                              |                  |                  |     |                  |                  |     |                  |                  |     |                  |                  |
| Info                                                                                                                                                                                                                                                         | Accessories                                                                                                                                                                                                                                                                                                                                                                                                                                                                                                                                                                                                                                                                                                                                                                                                                                                                     |                  |                              |              |                              |                  |                              |     |                              |                  |                              |                  |                              |     |                              |                  |                              |                  |                  |     |                  |                  |     |                  |                  |     |                  |                  |
| <p>① Approval data can be found in the online catalog at <a href="http://www.wagocatalog.com">www.wagocatalog.com</a></p> <p>Marine approvals (GL, LR, NV) relate exclusively to cables approved for marine applications!</p> <p>Other cables on request</p> | <p>Locking levers, manually operated,</p> <p>for "flying leads"</p> <table border="1"> <tbody> <tr><td>black</td><td>770-101</td><td>100 (4 x 25)</td></tr> <tr><td>white</td><td>770-121</td><td>100 (4 x 25)</td></tr> </tbody> </table>                                                                                                                                                                                                                                                                                                                                                                                                                                                                                                                                                                                                                                      | black            | 770-101                      | 100 (4 x 25) | white                        | 770-121          | 100 (4 x 25)                 |     |                              |                  |                              |                  |                              |     |                              |                  |                              |                  |                  |     |                  |                  |     |                  |                  |     |                  |                  |
|                                                                                                                                                                                                                                                              | black                                                                                                                                                                                                                                                                                                                                                                                                                                                                                                                                                                                                                                                                                                                                                                                                                                                                           | 770-101          | 100 (4 x 25)                 |              |                              |                  |                              |     |                              |                  |                              |                  |                              |     |                              |                  |                              |                  |                  |     |                  |                  |     |                  |                  |     |                  |                  |
| white                                                                                                                                                                                                                                                        | 770-121                                                                                                                                                                                                                                                                                                                                                                                                                                                                                                                                                                                                                                                                                                                                                                                                                                                                         | 100 (4 x 25)     |                              |              |                              |                  |                              |     |                              |                  |                              |                  |                              |     |                              |                  |                              |                  |                  |     |                  |                  |     |                  |                  |     |                  |                  |
| <p>② PVC H05VV-F 3 x 1.5<br/>halogen-free H05Z1Z1-F 3 x 1.5</p> <p>● black Coding A (L ⊕ N)<br/>○ white Coding A (L ⊕ N)<br/>● brown Coding S (L 2 1)</p> <p>Please find some information on the different codings on pages 146 and 147</p>                  | <p>Locking levers, tool operated,</p> <p>for "flying leads"</p> <table border="1"> <tbody> <tr><td>black</td><td>770-111</td><td>100 (4 x 25)</td></tr> <tr><td>white</td><td>770-131</td><td>100 (4 x 25)</td></tr> </tbody> </table>                                                                                                                                                                                                                                                                                                                                                                                                                                                                                                                                                                                                                                          | black            | 770-111                      | 100 (4 x 25) | white                        | 770-131          | 100 (4 x 25)                 |     |                              |                  |                              |                  |                              |     |                              |                  |                              |                  |                  |     |                  |                  |     |                  |                  |     |                  |                  |
|                                                                                                                                                                                                                                                              | black                                                                                                                                                                                                                                                                                                                                                                                                                                                                                                                                                                                                                                                                                                                                                                                                                                                                           | 770-111          | 100 (4 x 25)                 |              |                              |                  |                              |     |                              |                  |                              |                  |                              |     |                              |                  |                              |                  |                  |     |                  |                  |     |                  |                  |     |                  |                  |
| white                                                                                                                                                                                                                                                        | 770-131                                                                                                                                                                                                                                                                                                                                                                                                                                                                                                                                                                                                                                                                                                                                                                                                                                                                         | 100 (4 x 25)     |                              |              |                              |                  |                              |     |                              |                  |                              |                  |                              |     |                              |                  |                              |                  |                  |     |                  |                  |     |                  |                  |     |                  |                  |
|                                                                                                                                                                                                                                                              | <p>Lockout caps, for socket, separable, 12 poles</p> <table border="1"> <tbody> <tr><td>black</td><td>770-201</td><td>100</td></tr> <tr><td>white</td><td>770-221</td><td>100</td></tr> </tbody> </table>                                                                                                                                                                                                                                                                                                                                                                                                                                                                                                                                                                                                                                                                       | black            | 770-201                      | 100          | white                        | 770-221          | 100                          |     |                              |                  |                              |                  |                              |     |                              |                  |                              |                  |                  |     |                  |                  |     |                  |                  |     |                  |                  |
| black                                                                                                                                                                                                                                                        | 770-201                                                                                                                                                                                                                                                                                                                                                                                                                                                                                                                                                                                                                                                                                                                                                                                                                                                                         | 100              |                              |              |                              |                  |                              |     |                              |                  |                              |                  |                              |     |                              |                  |                              |                  |                  |     |                  |                  |     |                  |                  |     |                  |                  |
| white                                                                                                                                                                                                                                                        | 770-221                                                                                                                                                                                                                                                                                                                                                                                                                                                                                                                                                                                                                                                                                                                                                                                                                                                                         | 100              |                              |              |                              |                  |                              |     |                              |                  |                              |                  |                              |     |                              |                  |                              |                  |                  |     |                  |                  |     |                  |                  |     |                  |                  |
|                                                                                                                                                                                                                                                              | <p>Coding pin, for plug</p> <table border="1"> <tbody> <tr><td>gray</td><td>770-401</td><td>100</td></tr> </tbody> </table>                                                                                                                                                                                                                                                                                                                                                                                                                                                                                                                                                                                                                                                                                                                                                     | gray             | 770-401                      | 100          |                              |                  |                              |     |                              |                  |                              |                  |                              |     |                              |                  |                              |                  |                  |     |                  |                  |     |                  |                  |     |                  |                  |
| gray                                                                                                                                                                                                                                                         | 770-401                                                                                                                                                                                                                                                                                                                                                                                                                                                                                                                                                                                                                                                                                                                                                                                                                                                                         | 100              |                              |              |                              |                  |                              |     |                              |                  |                              |                  |                              |     |                              |                  |                              |                  |                  |     |                  |                  |     |                  |                  |     |                  |                  |

# Cable Assemblies 3 x 1 mm<sup>2</sup> / 3 x 0.75 mm<sup>2</sup>/AWG 18

|                                                                                                                                                                                                                                                                                                                   | <p>PVC                    H05VV-F 3G1.0        10 A ③<br/>                                      H05VV-F 3G0.75      4 A ④</p> <p>250 V/4 kV/3</p> <p>① Approvals</p>                                                                                                                                                                                                                                                                                                                                                                                                                                               |              |                  |             |           |                  |             |     |                  |             |                          |                  |                                                                                                                                                                                                                                                                                                                                                                                                                                                                                                                                                                         |       |                  |              |       |                  |              |       |                  |              |       |                  |              |      |         |     |
|-------------------------------------------------------------------------------------------------------------------------------------------------------------------------------------------------------------------------------------------------------------------------------------------------------------------|--------------------------------------------------------------------------------------------------------------------------------------------------------------------------------------------------------------------------------------------------------------------------------------------------------------------------------------------------------------------------------------------------------------------------------------------------------------------------------------------------------------------------------------------------------------------------------------------------------------------|--------------|------------------|-------------|-----------|------------------|-------------|-----|------------------|-------------|--------------------------|------------------|-------------------------------------------------------------------------------------------------------------------------------------------------------------------------------------------------------------------------------------------------------------------------------------------------------------------------------------------------------------------------------------------------------------------------------------------------------------------------------------------------------------------------------------------------------------------------|-------|------------------|--------------|-------|------------------|--------------|-------|------------------|--------------|-------|------------------|--------------|------|---------|-----|
| <p>Connecting cables, plug - cold equipment coupling, angled ③</p>                                                                                                                                                                                                                                                | <p>Length Item no.<br/>black                    Item no.<br/>white</p>                                                                                                                                                                                                                                                                                                                                                                                                                                                                                                                                             |              |                  |             |           |                  |             |     |                  |             |                          |                  |                                                                                                                                                                                                                                                                                                                                                                                                                                                                                                                                                                         |       |                  |              |       |                  |              |       |                  |              |       |                  |              |      |         |     |
|                                                                                                                                                                                                                                  | <p>Coding A    ● ○<br/>PVC</p> <table border="1"> <tr><td>1 m</td><td>771-9993/805-101</td><td>.../805-102</td></tr> <tr><td>2 m</td><td>771-9993/805-201</td><td>.../805-202</td></tr> <tr><td>3 m</td><td>771-9993/805-301</td><td>.../805-302</td></tr> <tr><td>4 m</td><td>771-9993/805-401</td><td>.../805-402</td></tr> <tr><td>5 m</td><td>771-9993/805-501</td><td>.../805-502</td></tr> <tr><td>6 m</td><td>771-9993/805-601</td><td>.../805-602</td></tr> <tr><td>7 m</td><td>771-9993/805-701</td><td>.../805-702</td></tr> <tr><td>8 m</td><td>771-9993/805-801</td><td>.../805-802</td></tr> </table> | 1 m          | 771-9993/805-101 | .../805-102 | 2 m       | 771-9993/805-201 | .../805-202 | 3 m | 771-9993/805-301 | .../805-302 | 4 m                      | 771-9993/805-401 | .../805-402                                                                                                                                                                                                                                                                                                                                                                                                                                                                                                                                                             | 5 m   | 771-9993/805-501 | .../805-502  | 6 m   | 771-9993/805-601 | .../805-602  | 7 m   | 771-9993/805-701 | .../805-702  | 8 m   | 771-9993/805-801 | .../805-802  |      |         |     |
| 1 m                                                                                                                                                                                                                                                                                                               | 771-9993/805-101                                                                                                                                                                                                                                                                                                                                                                                                                                                                                                                                                                                                   | .../805-102  |                  |             |           |                  |             |     |                  |             |                          |                  |                                                                                                                                                                                                                                                                                                                                                                                                                                                                                                                                                                         |       |                  |              |       |                  |              |       |                  |              |       |                  |              |      |         |     |
| 2 m                                                                                                                                                                                                                                                                                                               | 771-9993/805-201                                                                                                                                                                                                                                                                                                                                                                                                                                                                                                                                                                                                   | .../805-202  |                  |             |           |                  |             |     |                  |             |                          |                  |                                                                                                                                                                                                                                                                                                                                                                                                                                                                                                                                                                         |       |                  |              |       |                  |              |       |                  |              |       |                  |              |      |         |     |
| 3 m                                                                                                                                                                                                                                                                                                               | 771-9993/805-301                                                                                                                                                                                                                                                                                                                                                                                                                                                                                                                                                                                                   | .../805-302  |                  |             |           |                  |             |     |                  |             |                          |                  |                                                                                                                                                                                                                                                                                                                                                                                                                                                                                                                                                                         |       |                  |              |       |                  |              |       |                  |              |       |                  |              |      |         |     |
| 4 m                                                                                                                                                                                                                                                                                                               | 771-9993/805-401                                                                                                                                                                                                                                                                                                                                                                                                                                                                                                                                                                                                   | .../805-402  |                  |             |           |                  |             |     |                  |             |                          |                  |                                                                                                                                                                                                                                                                                                                                                                                                                                                                                                                                                                         |       |                  |              |       |                  |              |       |                  |              |       |                  |              |      |         |     |
| 5 m                                                                                                                                                                                                                                                                                                               | 771-9993/805-501                                                                                                                                                                                                                                                                                                                                                                                                                                                                                                                                                                                                   | .../805-502  |                  |             |           |                  |             |     |                  |             |                          |                  |                                                                                                                                                                                                                                                                                                                                                                                                                                                                                                                                                                         |       |                  |              |       |                  |              |       |                  |              |       |                  |              |      |         |     |
| 6 m                                                                                                                                                                                                                                                                                                               | 771-9993/805-601                                                                                                                                                                                                                                                                                                                                                                                                                                                                                                                                                                                                   | .../805-602  |                  |             |           |                  |             |     |                  |             |                          |                  |                                                                                                                                                                                                                                                                                                                                                                                                                                                                                                                                                                         |       |                  |              |       |                  |              |       |                  |              |       |                  |              |      |         |     |
| 7 m                                                                                                                                                                                                                                                                                                               | 771-9993/805-701                                                                                                                                                                                                                                                                                                                                                                                                                                                                                                                                                                                                   | .../805-702  |                  |             |           |                  |             |     |                  |             |                          |                  |                                                                                                                                                                                                                                                                                                                                                                                                                                                                                                                                                                         |       |                  |              |       |                  |              |       |                  |              |       |                  |              |      |         |     |
| 8 m                                                                                                                                                                                                                                                                                                               | 771-9993/805-801                                                                                                                                                                                                                                                                                                                                                                                                                                                                                                                                                                                                   | .../805-802  |                  |             |           |                  |             |     |                  |             |                          |                  |                                                                                                                                                                                                                                                                                                                                                                                                                                                                                                                                                                         |       |                  |              |       |                  |              |       |                  |              |       |                  |              |      |         |     |
| <p>Plug - lamp socket E 27 ④</p>                                                                                                                                                                                                                                                                                  | <p>Length Item no.<br/>black</p>                                                                                                                                                                                                                                                                                                                                                                                                                                                                                                                                                                                   |              |                  |             |           |                  |             |     |                  |             |                          |                  |                                                                                                                                                                                                                                                                                                                                                                                                                                                                                                                                                                         |       |                  |              |       |                  |              |       |                  |              |       |                  |              |      |         |     |
|                                                                                                                                                                                                                                 | <p>Coding A    ●</p> <p>e.g., for temporary construction site lighting</p> <p>0.5 m 771-8993/1004-051</p> <p>Other lengths on request</p>                                                                                                                                                                                                                                                                                                                                                                                                                                                                          |              |                  |             |           |                  |             |     |                  |             |                          |                  |                                                                                                                                                                                                                                                                                                                                                                                                                                                                                                                                                                         |       |                  |              |       |                  |              |       |                  |              |       |                  |              |      |         |     |
| <table border="1"> <thead> <tr> <th>Lengths</th> <th>Pack.-unit</th> </tr> </thead> <tbody> <tr><td>1 m</td><td>50</td></tr> <tr><td>2, 3, 4 m</td><td>25</td></tr> <tr><td>5, 6 m</td><td>15</td></tr> <tr><td>7, 8 m</td><td>10</td></tr> <tr><td>Other lengths on request</td><td></td></tr> </tbody> </table> | Lengths                                                                                                                                                                                                                                                                                                                                                                                                                                                                                                                                                                                                            | Pack.-unit   | 1 m              | 50          | 2, 3, 4 m | 25               | 5, 6 m      | 15  | 7, 8 m           | 10          | Other lengths on request |                  | <p>Accessories</p> <p>Locking levers, manually operated,<br/>for "flying leads"</p> <table border="1"> <tr><td>black</td><td>770-101</td><td>100 (4 x 25)</td></tr> <tr><td>white</td><td>770-121</td><td>100 (4 x 25)</td></tr> </table> <p>Locking levers, tool operated,<br/>for "flying leads"</p> <table border="1"> <tr><td>black</td><td>770-111</td><td>100 (4 x 25)</td></tr> <tr><td>white</td><td>770-131</td><td>100 (4 x 25)</td></tr> </table> <p>Coding pin, for plug</p> <table border="1"> <tr><td>gray</td><td>770-401</td><td>100</td></tr> </table> | black | 770-101          | 100 (4 x 25) | white | 770-121          | 100 (4 x 25) | black | 770-111          | 100 (4 x 25) | white | 770-131          | 100 (4 x 25) | gray | 770-401 | 100 |
| Lengths                                                                                                                                                                                                                                                                                                           | Pack.-unit                                                                                                                                                                                                                                                                                                                                                                                                                                                                                                                                                                                                         |              |                  |             |           |                  |             |     |                  |             |                          |                  |                                                                                                                                                                                                                                                                                                                                                                                                                                                                                                                                                                         |       |                  |              |       |                  |              |       |                  |              |       |                  |              |      |         |     |
| 1 m                                                                                                                                                                                                                                                                                                               | 50                                                                                                                                                                                                                                                                                                                                                                                                                                                                                                                                                                                                                 |              |                  |             |           |                  |             |     |                  |             |                          |                  |                                                                                                                                                                                                                                                                                                                                                                                                                                                                                                                                                                         |       |                  |              |       |                  |              |       |                  |              |       |                  |              |      |         |     |
| 2, 3, 4 m                                                                                                                                                                                                                                                                                                         | 25                                                                                                                                                                                                                                                                                                                                                                                                                                                                                                                                                                                                                 |              |                  |             |           |                  |             |     |                  |             |                          |                  |                                                                                                                                                                                                                                                                                                                                                                                                                                                                                                                                                                         |       |                  |              |       |                  |              |       |                  |              |       |                  |              |      |         |     |
| 5, 6 m                                                                                                                                                                                                                                                                                                            | 15                                                                                                                                                                                                                                                                                                                                                                                                                                                                                                                                                                                                                 |              |                  |             |           |                  |             |     |                  |             |                          |                  |                                                                                                                                                                                                                                                                                                                                                                                                                                                                                                                                                                         |       |                  |              |       |                  |              |       |                  |              |       |                  |              |      |         |     |
| 7, 8 m                                                                                                                                                                                                                                                                                                            | 10                                                                                                                                                                                                                                                                                                                                                                                                                                                                                                                                                                                                                 |              |                  |             |           |                  |             |     |                  |             |                          |                  |                                                                                                                                                                                                                                                                                                                                                                                                                                                                                                                                                                         |       |                  |              |       |                  |              |       |                  |              |       |                  |              |      |         |     |
| Other lengths on request                                                                                                                                                                                                                                                                                          |                                                                                                                                                                                                                                                                                                                                                                                                                                                                                                                                                                                                                    |              |                  |             |           |                  |             |     |                  |             |                          |                  |                                                                                                                                                                                                                                                                                                                                                                                                                                                                                                                                                                         |       |                  |              |       |                  |              |       |                  |              |       |                  |              |      |         |     |
| black                                                                                                                                                                                                                                                                                                             | 770-101                                                                                                                                                                                                                                                                                                                                                                                                                                                                                                                                                                                                            | 100 (4 x 25) |                  |             |           |                  |             |     |                  |             |                          |                  |                                                                                                                                                                                                                                                                                                                                                                                                                                                                                                                                                                         |       |                  |              |       |                  |              |       |                  |              |       |                  |              |      |         |     |
| white                                                                                                                                                                                                                                                                                                             | 770-121                                                                                                                                                                                                                                                                                                                                                                                                                                                                                                                                                                                                            | 100 (4 x 25) |                  |             |           |                  |             |     |                  |             |                          |                  |                                                                                                                                                                                                                                                                                                                                                                                                                                                                                                                                                                         |       |                  |              |       |                  |              |       |                  |              |       |                  |              |      |         |     |
| black                                                                                                                                                                                                                                                                                                             | 770-111                                                                                                                                                                                                                                                                                                                                                                                                                                                                                                                                                                                                            | 100 (4 x 25) |                  |             |           |                  |             |     |                  |             |                          |                  |                                                                                                                                                                                                                                                                                                                                                                                                                                                                                                                                                                         |       |                  |              |       |                  |              |       |                  |              |       |                  |              |      |         |     |
| white                                                                                                                                                                                                                                                                                                             | 770-131                                                                                                                                                                                                                                                                                                                                                                                                                                                                                                                                                                                                            | 100 (4 x 25) |                  |             |           |                  |             |     |                  |             |                          |                  |                                                                                                                                                                                                                                                                                                                                                                                                                                                                                                                                                                         |       |                  |              |       |                  |              |       |                  |              |       |                  |              |      |         |     |
| gray                                                                                                                                                                                                                                                                                                              | 770-401                                                                                                                                                                                                                                                                                                                                                                                                                                                                                                                                                                                                            | 100          |                  |             |           |                  |             |     |                  |             |                          |                  |                                                                                                                                                                                                                                                                                                                                                                                                                                                                                                                                                                         |       |                  |              |       |                  |              |       |                  |              |       |                  |              |      |         |     |

|                                                                                                                                                                                                                                                                                                                                                                                                                           |  |                                                                                                                                                                                                                                                                                                                                                                                 |                  |                |                  |                |
|---------------------------------------------------------------------------------------------------------------------------------------------------------------------------------------------------------------------------------------------------------------------------------------------------------------------------------------------------------------------------------------------------------------------------|--|---------------------------------------------------------------------------------------------------------------------------------------------------------------------------------------------------------------------------------------------------------------------------------------------------------------------------------------------------------------------------------|------------------|----------------|------------------|----------------|
|                                                                                                                                                                                                                                                                                                                                                                                                                           |  | PVC H05VV-F 3G2.5<br>halogen-free H05Z1Z1-F 3G2.5<br><br>250 V/4 kV/3 20 A<br><br>Wire ends bonded 9 mm/0.35 in<br>① Approvals                                                                                                                                                                                                                                                  |                  |                |                  |                |
| Interconnecting cables, socket - plug                                                                                                                                                                                                                                                                                                                                                                                     |  | Length                                                                                                                                                                                                                                                                                                                                                                          | Item no. black   | Item no. white | Item no. black   | Item no. white |
|                                                                                                                                                                                                                                                                                                                                          |  | Coding A                                                                                                                                                                                                                                                                                                                                                                        | ● ○              |                |                  |                |
|                                                                                                                                                                                                                                                                                                                                           |  | PVC                                                                                                                                                                                                                                                                                                                                                                             | halogen-free     |                |                  |                |
|                                                                                                                                                                                                                                                                                                                                                                                                                           |  | 1 m                                                                                                                                                                                                                                                                                                                                                                             | 771-9993/007-101 | .../007-102    | 771-9993/017-101 | .../017-102    |
|                                                                                                                                                                                                                                                                                                                                                                                                                           |  | 2 m                                                                                                                                                                                                                                                                                                                                                                             | 771-9993/007-201 | .../007-202    | 771-9993/017-201 | .../017-202    |
|                                                                                                                                                                                                                                                                                                                                                                                                                           |  | 3 m                                                                                                                                                                                                                                                                                                                                                                             | 771-9993/007-301 | .../007-302    | 771-9993/017-301 | .../017-302    |
|                                                                                                                                                                                                                                                                                                                                                                                                                           |  | 4 m                                                                                                                                                                                                                                                                                                                                                                             | 771-9993/007-401 | .../007-402    | 771-9993/017-401 | .../017-402    |
|                                                                                                                                                                                                                                                                                                                                                                                                                           |  | 5 m                                                                                                                                                                                                                                                                                                                                                                             | 771-9993/007-501 | .../007-502    | 771-9993/017-501 | .../017-502    |
|                                                                                                                                                                                                                                                                                                                                                                                                                           |  | 6 m                                                                                                                                                                                                                                                                                                                                                                             | 771-9993/007-601 | .../007-602    | 771-9993/017-601 | .../017-602    |
|                                                                                                                                                                                                                                                                                                                                                                                                                           |  | 7 m                                                                                                                                                                                                                                                                                                                                                                             | 771-9993/007-701 | .../007-702    | 771-9993/017-701 | .../017-702    |
|                                                                                                                                                                                                                                                                                                                                                                                                                           |  | 8 m                                                                                                                                                                                                                                                                                                                                                                             | 771-9993/007-801 | .../007-802    | 771-9993/017-801 | .../017-802    |
| Connecting cables, socket - free end                                                                                                                                                                                                                                                                                                                                                                                      |  | Length                                                                                                                                                                                                                                                                                                                                                                          | Item no. black   | Item no. white | Item no. black   | Item no. white |
|                                                                                                                                                                                                                                                                                                                                         |  | Coding A                                                                                                                                                                                                                                                                                                                                                                        | ● ○              |                |                  |                |
|                                                                                                                                                                                                                                                                                                                                         |  | PVC                                                                                                                                                                                                                                                                                                                                                                             | halogen-free     |                |                  |                |
|                                                                                                                                                                                                                                                                                                                                                                                                                           |  | 1 m                                                                                                                                                                                                                                                                                                                                                                             | 771-9993/107-101 | .../107-102    | 771-9993/117-101 | .../117-102    |
|                                                                                                                                                                                                                                                                                                                                                                                                                           |  | 2 m                                                                                                                                                                                                                                                                                                                                                                             | 771-9993/107-201 | .../107-202    | 771-9993/117-201 | .../117-202    |
|                                                                                                                                                                                                                                                                                                                                                                                                                           |  | 3 m                                                                                                                                                                                                                                                                                                                                                                             | 771-9993/107-301 | .../107-302    | 771-9993/117-301 | .../117-302    |
|                                                                                                                                                                                                                                                                                                                                                                                                                           |  | 4 m                                                                                                                                                                                                                                                                                                                                                                             | 771-9993/107-401 | .../107-402    | 771-9993/117-401 | .../117-402    |
|                                                                                                                                                                                                                                                                                                                                                                                                                           |  | 5 m                                                                                                                                                                                                                                                                                                                                                                             | 771-9993/107-501 | .../107-502    | 771-9993/117-501 | .../117-502    |
|                                                                                                                                                                                                                                                                                                                                                                                                                           |  | 6 m                                                                                                                                                                                                                                                                                                                                                                             | 771-9993/107-601 | .../107-602    | 771-9993/117-601 | .../117-602    |
|                                                                                                                                                                                                                                                                                                                                                                                                                           |  | 7 m                                                                                                                                                                                                                                                                                                                                                                             | 771-9993/107-701 | .../107-702    | 771-9993/117-701 | .../117-702    |
|                                                                                                                                                                                                                                                                                                                                                                                                                           |  | 8 m                                                                                                                                                                                                                                                                                                                                                                             | 771-9993/107-801 | .../107-802    | 771-9993/117-801 | .../117-802    |
| Connecting cables, plug - free end                                                                                                                                                                                                                                                                                                                                                                                        |  | Length                                                                                                                                                                                                                                                                                                                                                                          | Item no. black   | Item no. white | Item no. black   | Item no. white |
|                                                                                                                                                                                                                                                                                                                                        |  | Coding A                                                                                                                                                                                                                                                                                                                                                                        | ● ○              |                |                  |                |
|                                                                                                                                                                                                                                                                                                                                         |  | PVC                                                                                                                                                                                                                                                                                                                                                                             | halogen-free     |                |                  |                |
|                                                                                                                                                                                                                                                                                                                                                                                                                           |  | 1 m                                                                                                                                                                                                                                                                                                                                                                             | 771-9993/207-101 | .../207-102    | 771-9993/217-101 | .../217-102    |
|                                                                                                                                                                                                                                                                                                                                                                                                                           |  | 2 m                                                                                                                                                                                                                                                                                                                                                                             | 771-9993/207-201 | .../207-202    | 771-9993/217-201 | .../217-202    |
|                                                                                                                                                                                                                                                                                                                                                                                                                           |  | 3 m                                                                                                                                                                                                                                                                                                                                                                             | 771-9993/207-301 | .../207-302    | 771-9993/217-301 | .../217-302    |
|                                                                                                                                                                                                                                                                                                                                                                                                                           |  | 4 m                                                                                                                                                                                                                                                                                                                                                                             | 771-9993/207-401 | .../207-402    | 771-9993/217-401 | .../217-402    |
|                                                                                                                                                                                                                                                                                                                                                                                                                           |  | 5 m                                                                                                                                                                                                                                                                                                                                                                             | 771-9993/207-501 | .../207-502    | 771-9993/217-501 | .../217-502    |
|                                                                                                                                                                                                                                                                                                                                                                                                                           |  | 6 m                                                                                                                                                                                                                                                                                                                                                                             | 771-9993/207-601 | .../207-602    | 771-9993/217-601 | .../217-602    |
|                                                                                                                                                                                                                                                                                                                                                                                                                           |  | 7 m                                                                                                                                                                                                                                                                                                                                                                             | 771-9993/207-701 | .../207-702    | 771-9993/217-701 | .../217-702    |
|                                                                                                                                                                                                                                                                                                                                                                                                                           |  | 8 m                                                                                                                                                                                                                                                                                                                                                                             | 771-9993/207-801 | .../207-802    | 771-9993/217-801 | .../217-802    |
| Info                                                                                                                                                                                                                                                                                                                                                                                                                      |  | Locking levers, manually operated,<br>for "flying leads"<br>black 770-101 100 (4 x 25)<br>white 770-121 100 (4 x 25)<br>Locking levers, tool operated,<br>for "flying leads"<br>black 770-111 100 (4 x 25)<br>white 770-131 100 (4 x 25)<br>Lockout caps, for socket, separable, 12 poles<br>black 770-201 100<br>white 770-221 100<br>Coding pin, for plug<br>gray 770-401 100 |                  |                |                  |                |
| ① Approval data can be found in the online catalog at <a href="http://www.wagocatalog.com">www.wagocatalog.com</a><br>Marine approvals (GL, LR, NV) relate exclusively to cables approved for marine applications!<br><br>Other cables on request<br><br>● black Coding A (L ⊕ N)<br>○ white Coding A (L ⊕ N)<br>● red Coding P (L ⊕ N)<br><br>Please find some information on the different codings on pages 146 and 147 |  |                                                                                                                                                                                                                                                                                                                                                                                 |                  |                |                  |                |





|                                                                                     |                   | PVC                                                  | H05VV-F 3G2.5        |
|-------------------------------------------------------------------------------------|-------------------|------------------------------------------------------|----------------------|
|                                                                                     |                   | halogen-free                                         | H05Z1Z1-F 3G2.5      |
|                                                                                     |                   | 250 V/4 kV/3 20 A                                    |                      |
|                                                                                     |                   | Wire ends bonded 9 mm/0.35 in                        |                      |
|                                                                                     |                   | ① Approvals                                          |                      |
| <b>Interconnecting cables, socket - plug</b>                                        |                   | Length Item no.<br>black                             | Item no.<br>black    |
|    |                   | Coding P ●                                           |                      |
|    |                   | PVC                                                  | halogen-free         |
|                                                                                     |                   | 1 m 771-9973/007-101                                 | 771-9973/017-101     |
|                                                                                     |                   | 2 m 771-9973/007-201                                 | 771-9973/017-201     |
|                                                                                     |                   | 3 m 771-9973/007-301                                 | 771-9973/017-301     |
|                                                                                     |                   | 4 m 771-9973/007-401                                 | 771-9973/017-401     |
|                                                                                     |                   | 5 m 771-9973/007-501                                 | 771-9973/017-501     |
|                                                                                     |                   | 6 m 771-9973/007-601                                 | 771-9973/017-601     |
|                                                                                     |                   | 7 m 771-9973/007-701                                 | 771-9973/017-701     |
|                                                                                     |                   | 8 m 771-9973/007-801                                 | 771-9973/017-801     |
| <b>Connecting cables, socket - free end</b>                                         |                   | Length Item no.<br>black                             | Item no.<br>black    |
|   |                   | Coding P ●                                           |                      |
|  |                   | PVC                                                  | halogen-free         |
|                                                                                     |                   | 1 m 771-9973/107-101                                 | 771-9973/117-101     |
|                                                                                     |                   | 2 m 771-9973/107-201                                 | 771-9973/117-201     |
|                                                                                     |                   | 3 m 771-9973/107-301                                 | 771-9973/117-301     |
|                                                                                     |                   | 4 m 771-9973/107-401                                 | 771-9973/117-401     |
|                                                                                     |                   | 5 m 771-9973/107-501                                 | 771-9973/117-501     |
|                                                                                     |                   | 6 m 771-9973/107-601                                 | 771-9973/117-601     |
|                                                                                     |                   | 7 m 771-9973/107-701                                 | 771-9973/117-701     |
|                                                                                     |                   | 8 m 771-9973/107-801                                 | 771-9973/117-801     |
| <b>Connecting cables, plug - free end</b>                                           |                   | Length Item no.<br>black                             | Item no.<br>black    |
|  |                   | Coding P ●                                           |                      |
|  |                   | PVC                                                  | halogen-free         |
|                                                                                     |                   | 1 m 771-9973/207-101                                 | 771-9973/217-101     |
|                                                                                     |                   | 2 m 771-9973/207-201                                 | 771-9973/217-201     |
|                                                                                     |                   | 3 m 771-9973/207-301                                 | 771-9973/217-301     |
|                                                                                     |                   | 4 m 771-9973/207-401                                 | 771-9973/217-401     |
|                                                                                     |                   | 5 m 771-9973/207-501                                 | 771-9973/217-501     |
|                                                                                     |                   | 6 m 771-9973/207-601                                 | 771-9973/217-601     |
|                                                                                     |                   | 7 m 771-9973/207-701                                 | 771-9973/217-701     |
|                                                                                     |                   | 8 m 771-9973/207-801                                 | 771-9973/217-801     |
| <b>Lengths</b>                                                                      | <b>Pack.-unit</b> | <b>Accessories</b>                                   |                      |
| 1 m                                                                                 | 50                | <b>Locking levers, manually operated,</b>            |                      |
| 2, 3, 4 m                                                                           | 25                | for "flying leads"                                   |                      |
| 5, 6 m                                                                              | 15                | black                                                | 770-101 100 (4 x 25) |
| 7, 8 m                                                                              | 10                | white                                                | 770-121 100 (4 x 25) |
| Other lengths on request                                                            |                   | <b>Locking levers, tool operated,</b>                |                      |
|                                                                                     |                   | for "flying leads"                                   |                      |
|                                                                                     |                   | black                                                | 770-111 100 (4 x 25) |
|                                                                                     |                   | white                                                | 770-131 100 (4 x 25) |
|                                                                                     |                   | <b>Lockout caps, for socket, separable, 12 poles</b> |                      |
|                                                                                     |                   | black                                                | 770-201 100          |
|                                                                                     |                   | white                                                | 770-221 100          |
|                                                                                     |                   | <b>Coding pin, for plug</b>                          |                      |
|                                                                                     |                   | gray                                                 | 770-401 100          |

|                                                                                                                                                                                          |                                                                                                                                                                                                                   |
|------------------------------------------------------------------------------------------------------------------------------------------------------------------------------------------|-------------------------------------------------------------------------------------------------------------------------------------------------------------------------------------------------------------------|
| <p>2 x 0.5 – 4 mm<sup>2</sup> ①<br/>400 V/6 kV/3<br/>25 A</p> <p> 9 mm / 0.35 in</p> <p>② Approvals</p> | <p>2 x AWG 20 - 12</p> <p>2 x 0.5 – 4 mm<sup>2</sup> ①<br/>400 V/6 kV/3<br/>25 A</p> <p> 9 mm / 0.35 in</p> <p>② Approvals</p> |
|------------------------------------------------------------------------------------------------------------------------------------------------------------------------------------------|-------------------------------------------------------------------------------------------------------------------------------------------------------------------------------------------------------------------|



| Description                                          | Color                                                                                      | Item no. | Pack-unit | Color                                                                                    | Item no. | Pack-unit |
|------------------------------------------------------|--------------------------------------------------------------------------------------------|----------|-----------|------------------------------------------------------------------------------------------|----------|-----------|
| Connectors, 4 poles,<br>with CAGE CLAMP®S connection | Sockets with strain relief housing,<br>for 2 cables, diameter 9 - 13 mm / 0.35 - 0.51 in ③ |          |           | Plugs with strain relief housing,<br>for 2 cables, diameter 9 - 13 mm / 0.35 - 0.51 in ③ |          |           |
|                                                      | black                                                                                      | 770-104  | ● 25      | black                                                                                    | 770-114  | ● 25      |
|                                                      | white                                                                                      | 770-124  | ○ 25      | white                                                                                    | 770-134  | ○ 25      |
|                                                      |                                                                                            |          |           |                                                                                          |          |           |

### Accessories

|                                                                                                                                                      |       |         |              |       |         |              |
|------------------------------------------------------------------------------------------------------------------------------------------------------|-------|---------|--------------|-------|---------|--------------|
|  <p>Locking levers, manually operated,<br/>for "flying leads"</p> | black | 770-101 | 100 (4 x 25) | black | 770-101 | 100 (4 x 25) |
|                                                                                                                                                      | white | 770-121 | 100 (4 x 25) | white | 770-121 | 100 (4 x 25) |
|  <p>Locking levers, tool operated,<br/>for "flying leads"</p>     | black | 770-111 | 100 (4 x 25) | black | 770-111 | 100 (4 x 25) |
|                                                                                                                                                      | white | 770-131 | 100 (4 x 25) | white | 770-131 | 100 (4 x 25) |
|  <p>Lockout caps, for socket,<br/>separable,<br/>12 poles</p>     | black | 770-201 | 100          |       |         |              |
|                                                                                                                                                      | white | 770-221 | 100          |       |         |              |
|  <p>Coding pin, for plug</p>                                      |       |         |              | gray  | 770-401 | 100          |

| Info | Dimensions (in mm) |
|------|--------------------|
|------|--------------------|

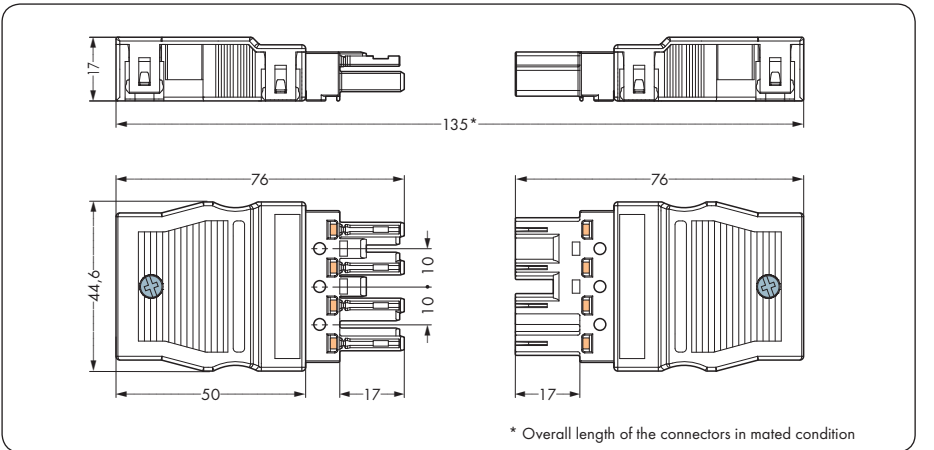
① Wire range: 0.5 - 4 mm<sup>2</sup> "s + f-st"  
0.5 - 2.5 mm<sup>2</sup> "stranded"

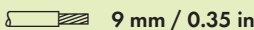

② Approval data can be found in the online catalog at [www.wagocatalog.com](http://www.wagocatalog.com)

③ More strain relief housings see page 46

● black Coding A (N ⊕ 2 1)  
○ white Coding A (N ⊕ 2 1)  
● gray Coding B (1 2 3 4)  
● green Coding Q (N PE1 PE2 L)

Please find some information on the different codings on pages 146 and 147



|                                                                                                                                                                              |                             |                                                                                                                                                                              |                             |
|------------------------------------------------------------------------------------------------------------------------------------------------------------------------------|-----------------------------|------------------------------------------------------------------------------------------------------------------------------------------------------------------------------|-----------------------------|
| 2 x 0.5 – 4 mm <sup>2</sup> ①<br>400 V/6 kV/3<br>25 A<br><br> 9 mm / 0.35 in<br>② Approvals | 2 x AWG 20 - 12<br><br><br> | 2 x 0.5 – 4 mm <sup>2</sup> ①<br>400 V/6 kV/3<br>25 A<br><br> 9 mm / 0.35 in<br>② Approvals | 2 x AWG 20 - 12<br><br><br> |
|------------------------------------------------------------------------------------------------------------------------------------------------------------------------------|-----------------------------|------------------------------------------------------------------------------------------------------------------------------------------------------------------------------|-----------------------------|



**NOTE:**

All products for fixed installations (snap-in versions, distribution connectors) are equipped with locking levers ex-factory, so that the plugs or sockets are always locked. Additional locking levers are only required for "flying leads" (plug/socket).

| Color                                        | Item no.   | Pack.-unit   | Color                                       | Item no.   | Pack.-unit   |
|----------------------------------------------|------------|--------------|---------------------------------------------|------------|--------------|
| <b>Sockets without strain relief housing</b> |            |              | <b>Plugs without strain relief housing</b>  |            |              |
| black                                        | 770-204 ●  | 50           | black                                       | 770-214 ●  | 50           |
| white                                        | 770-224 ○  | 50           | white                                       | 770-234 ○  | 50           |
| gray                                         | 770-244 ●  | 50           | gray                                        | 770-254 ●  | 50           |
| For "Clean Earth" applications (up to 32 A)  |            |              | For "Clean Earth" applications (up to 32 A) |            |              |
| green                                        | 770-1324 ● | 50           | green                                       | 770-1334 ● | 50           |
|                                              |            |              |                                             |            |              |
| black                                        | 770-101    | 100 (4 x 25) | black                                       | 770-101    | 100 (4 x 25) |
| white                                        | 770-121    | 100 (4 x 25) | white                                       | 770-121    | 100 (4 x 25) |
|                                              |            |              |                                             |            |              |
| black                                        | 770-111    | 100 (4 x 25) | black                                       | 770-111    | 100 (4 x 25) |
| white                                        | 770-131    | 100 (4 x 25) | white                                       | 770-131    | 100 (4 x 25) |
|                                              |            |              |                                             |            |              |
| black                                        | 770-201    | 100          |                                             |            |              |
| white                                        | 770-221    | 100          |                                             |            |              |
|                                              |            |              |                                             |            |              |
|                                              |            |              | gray                                        | 770-401    | 100          |



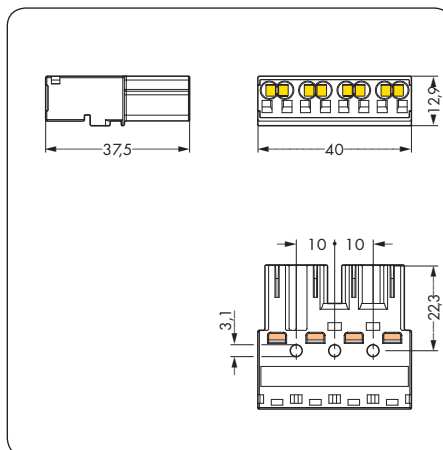
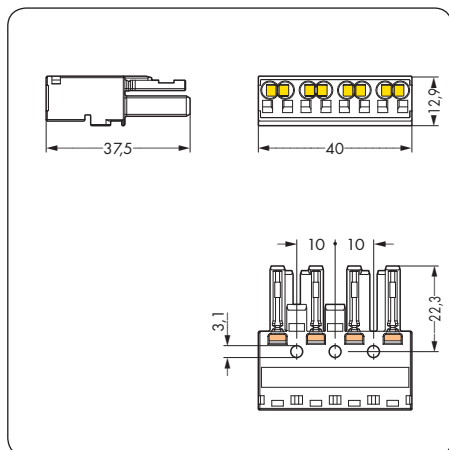
Snap on locking lever. Observe direction!  
(Example shows 3-pole plug)



Locking lever, manually operated:  
1.) Press on locking lever.  
2.) Pull apart the connectors.  
(Example shows 3-pole connector)



Locking lever, tool operated:  
1.) Unlatch locking lever.  
2.) Pull apart the connectors.  
(Example shows 3-pole connector)




**Strain Relief Housings, 4 Poles, for Different Cable Diameters**

|  |                                                                                                                                                             |                                                                                                                                                             |
|--|-------------------------------------------------------------------------------------------------------------------------------------------------------------|-------------------------------------------------------------------------------------------------------------------------------------------------------------|
|  | <p>Snap-on type strain relief housing for</p> <ul style="list-style-type: none"> <li>- 4-pole sockets</li> <li>- 4-pole plugs</li> </ul> <p>① Approvals</p> | <p>Snap-on type strain relief housing for</p> <ul style="list-style-type: none"> <li>- 4-pole sockets</li> <li>- 4-pole plugs</li> </ul> <p>① Approvals</p> |
|--|-------------------------------------------------------------------------------------------------------------------------------------------------------------|-------------------------------------------------------------------------------------------------------------------------------------------------------------|

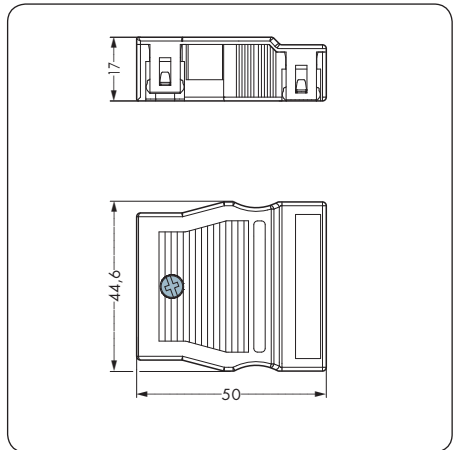
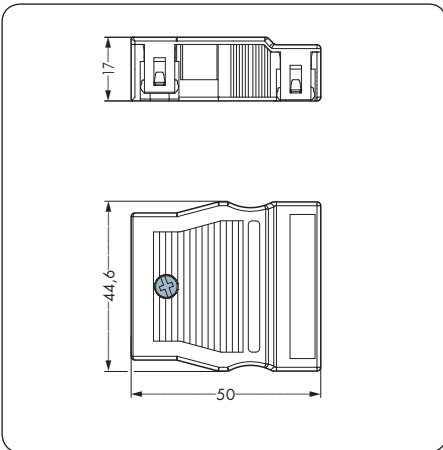


| Description                   | Color                                                                             | Item no.        | Pack.-unit | Color                                                                              | Item no. | Pack.-unit |
|-------------------------------|-----------------------------------------------------------------------------------|-----------------|------------|------------------------------------------------------------------------------------|----------|------------|
| <b>Strain relief housings</b> | <b>Strain relief housings, for 2 cables, diameter 5 - 9 mm / 0.19 - 0.35 in ②</b> |                 |            | <b>Strain relief housings, for 2 cables, diameter 9 - 13 mm / 0.35 - 0.51 in ②</b> |          |            |
|                               | black                                                                             | 770-504/023-000 | 50         | black                                                                              | 770-504  | 50         |
|                               | white                                                                             | 770-514/023-000 | 50         | white                                                                              | 770-514  | 50         |

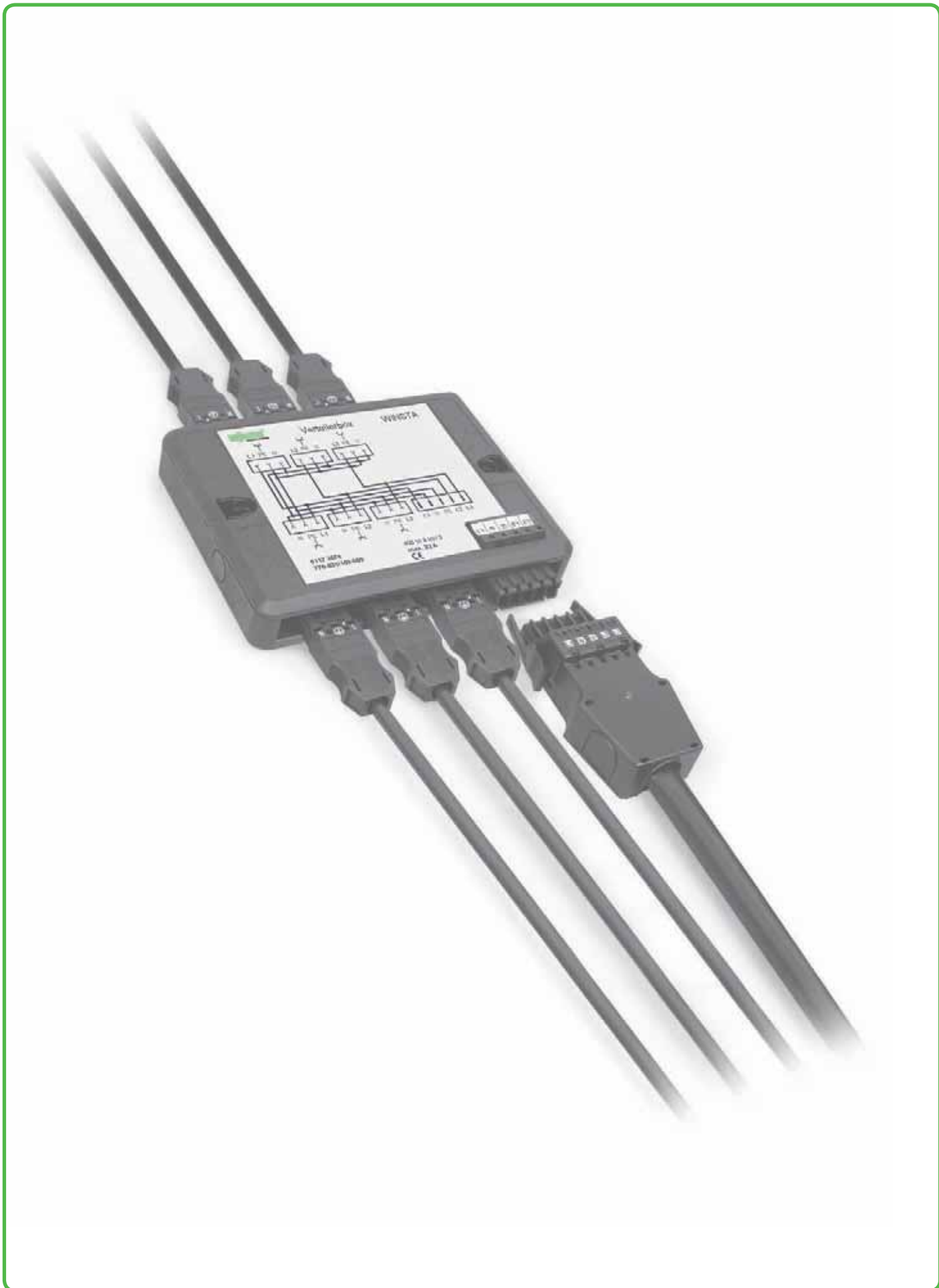
| Accessories                                                                                                                                                                            |                                                       |                |     |                                                       |                |     |
|----------------------------------------------------------------------------------------------------------------------------------------------------------------------------------------|-------------------------------------------------------|----------------|-----|-------------------------------------------------------|----------------|-----|
| <p><b>Marker strips, self-adhesive,</b><br/>on DIN A 1 card,<br/>strip length 182 mm / 7.16 in</p>  | Height 6 mm / 0.23 in                                 | <b>210-333</b> | 100 | Height 6 mm / 0.23 in                                 | <b>210-333</b> | 100 |
|                                                                                                                                                                                        | Size of the marker field 38 x 6.5 mm / 1.49 x 0.25 in |                |     | Size of the marker field 38 x 6.5 mm / 1.49 x 0.25 in |                |     |

| Info | Dimensions (in mm) |
|------|--------------------|
|------|--------------------|

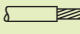
- ① Approval data can be found in the online catalog at [www.wagocatalog.com](http://www.wagocatalog.com)
- ② For H05VV and NYM cables  
Other cables on request










**WINSTA® - The perfect connection!**

|  |                                                                                                  |  |
|--|--------------------------------------------------------------------------------------------------|--|
|  | <p>2 x 0.5 – 4 mm<sup>2</sup> ①   2 x AWG 20 - 12</p> <p>400 V/6 kV/3<br/>25 A</p>               |  |
|  |  9 mm / 0.35 in |  |
|  | <p>② Approvals</p>                                                                               |  |



| Description                                                                  | Color                                       | Item no.   | Pack.-unit |
|------------------------------------------------------------------------------|---------------------------------------------|------------|------------|
| Connectors, snap-in device connection, 4 poles, with CAGE CLAMP®S connection | Sockets                                     |            |            |
|                                                                              | black                                       | 770-704 ●  | 100        |
|                                                                              | white                                       | 770-724 ○  | 100        |
|                                                                              | gray                                        | 770-744 ●  | 100        |
|                                                                              | green                                       | 770-2324 ● | 50         |
|                                                                              | For "Clean Earth" applications (up to 32 A) |            |            |

| Accessories                                                                         |       |         |     |
|-------------------------------------------------------------------------------------|-------|---------|-----|
| Lockout caps, for cut-out                                                           |       |         |     |
|  | black | 770-644 | 100 |
|                                                                                     | white | 770-694 | 100 |
| Lockout caps, for socket, separable, 12 poles                                       |       |         |     |
|  | black | 770-201 | 100 |
|                                                                                     | white | 770-221 | 100 |
| Coding pin, for plug                                                                |       |         |     |
|  |       |         |     |

| Info | Dimensions (in mm) |
|------|--------------------|
|------|--------------------|

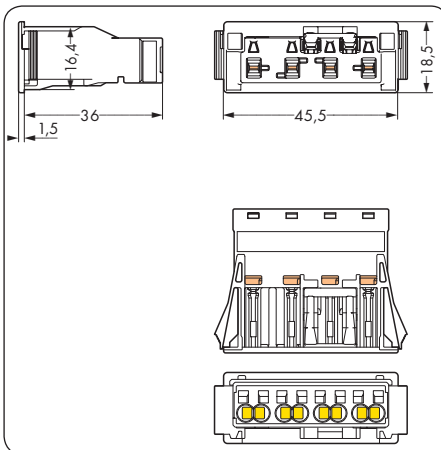
① Wire range: 0.5 - 4 mm<sup>2</sup> "s + f-st"  
0.5 - 2.5 mm<sup>2</sup> "stranded"

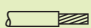
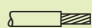
② Approval data can be found in the online catalog at [www.wagocatalog.com](http://www.wagocatalog.com)

③ Direct contact of the ground conductor on position PE1

|         |          |               |
|---------|----------|---------------|
| ● black | Coding A | (N ⊕ 2 1)     |
| ○ white | Coding A | (N ⊕ 2 1)     |
| ● gray  | Coding B | (1 2 3 4)     |
| ● green | Coding Q | (N PE1 PE2 L) |

Please find some information on the different codings on pages 146 and 147



|                                                                                                                            |                        |                                                                                                                            |                        |
|----------------------------------------------------------------------------------------------------------------------------|------------------------|----------------------------------------------------------------------------------------------------------------------------|------------------------|
| <p>2 x 0.5 – 4 mm<sup>2</sup> ①</p> <p>400 V/6 kV/3</p> <p>25 A</p>                                                        | <p>2 x AWG 20 - 12</p> | <p>2 x 0.5 – 4 mm<sup>2</sup> ①</p> <p>400 V/6 kV/3</p> <p>25 A</p>                                                        | <p>2 x AWG 20 - 12</p> |
| <p> 9 mm / 0.35 in</p> <p>② Approvals</p> |                        | <p> 9 mm / 0.35 in</p> <p>② Approvals</p> |                        |



| Color                                       | Item no.   | Pack.-unit | Color                                                        | Item no.           | Pack.-unit |
|---------------------------------------------|------------|------------|--------------------------------------------------------------|--------------------|------------|
| <b>Plugs</b>                                |            |            | <b>Plugs, with direct contacting of the ground conductor</b> |                    |            |
| black                                       | 770-714 ●  | 100        | black                                                        | 770-714/007-000 ●  | 100        |
| white                                       | 770-734 ○  | 100        | white                                                        | 770-734/007-000 ○  | 100        |
| gray                                        | 770-754 ●  | 100        |                                                              |                    |            |
| For "Clean Earth" applications (up to 32 A) |            |            | For "Clean Earth" applications (up to 32 A)                  |                    |            |
| green                                       | 770-2334 ● | 50         | green                                                        | 770-2334/007-000 ● | 50 ③       |
|                                             |            |            |                                                              |                    |            |
|                                             |            |            |                                                              |                    |            |
| black                                       | 770-644    | 100        | black                                                        | 770-644            | 100        |
| white                                       | 770-694    | 100        | white                                                        | 770-694            | 100        |
|                                             |            |            |                                                              |                    |            |
|                                             |            |            |                                                              |                    |            |
| gray                                        | 770-401    | 100        | gray                                                         | 770-401            | 100        |
|                                             |            |            |                                                              |                    |            |
|                                             |            |            |                                                              |                    |            |

**Direct contacting of the ground conductor**



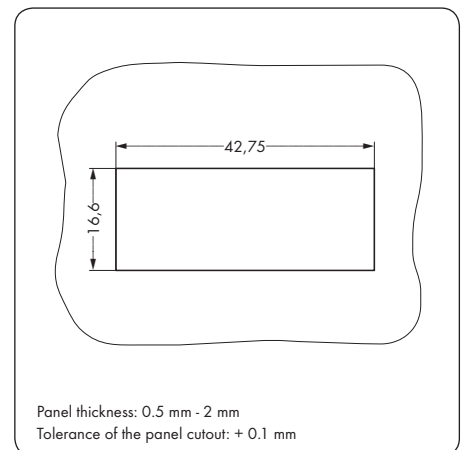
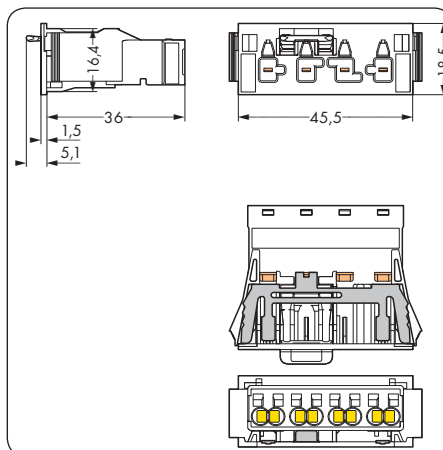
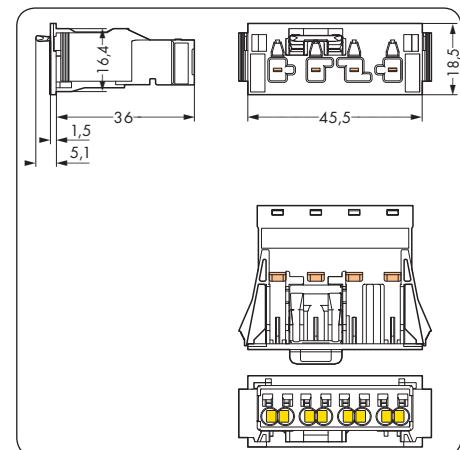
Varnish-piercing direct contacting of the earth conductor. ③

**Lockout cap**



Seal unused cutout with lockout cap.



**Cut-out dimensions**



|  |                                                   |                                                   |
|--|---------------------------------------------------|---------------------------------------------------|
|  | <p>400 V/6 kV/3<br/>25 A ①</p> <p>② Approvals</p> | <p>400 V/6 kV/3<br/>25 A ①</p> <p>② Approvals</p> |
|--|---------------------------------------------------|---------------------------------------------------|



| Description                               | Color                  | Item no.  | Pack.-unit | Color                | Item no.  | Pack.-unit |
|-------------------------------------------|------------------------|-----------|------------|----------------------|-----------|------------|
| PCB connectors,<br>2 solder pins per pole | Sockets, straight type |           |            | Plugs, straight type |           |            |
|                                           | black                  | 770-804 ● | 50         | black                | 770-814 ● | 50         |
|                                           | white                  | 770-824 ○ | 50         | white                | 770-834 ○ | 50         |
|                                           | gray                   | 770-844 ● | 50         | gray                 | 770-854 ● | 50         |

| Accessories                                                                                                                             |       |         |     |      |         |     |
|-----------------------------------------------------------------------------------------------------------------------------------------|-------|---------|-----|------|---------|-----|
| Lockout caps, for socket,<br> separable,<br>12 poles | black | 770-201 | 100 |      |         |     |
|                                                                                                                                         | white | 770-221 | 100 |      |         |     |
| Coding pin, for plug<br>                             |       |         |     | gray | 770-401 | 100 |

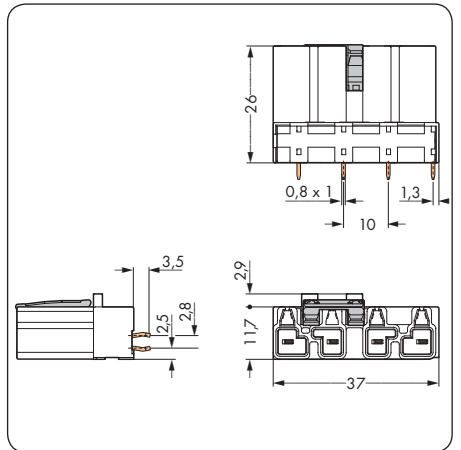
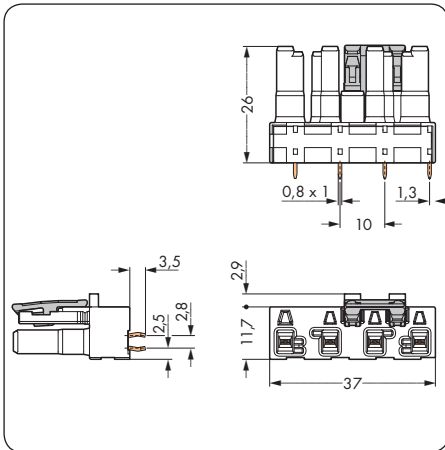
| Info | Dimensions (in mm) |
|------|--------------------|
|------|--------------------|

① Current load see table on page 51

② Approval data can be found in the online catalog at [www.wagocatalog.com](http://www.wagocatalog.com)

● black Coding A (N ⊕ 2 1)  
○ white Coding A (N ⊕ 2 1)  
● gray Coding B (1 2 3 4)

Please find some information on the different codings on pages 146 and 147



|                                           |                                           |
|-------------------------------------------|-------------------------------------------|
| 400 V/6 kV/3<br>25 A ①<br><br>② Approvals | 400 V/6 kV/3<br>25 A ①<br><br>② Approvals |
|-------------------------------------------|-------------------------------------------|

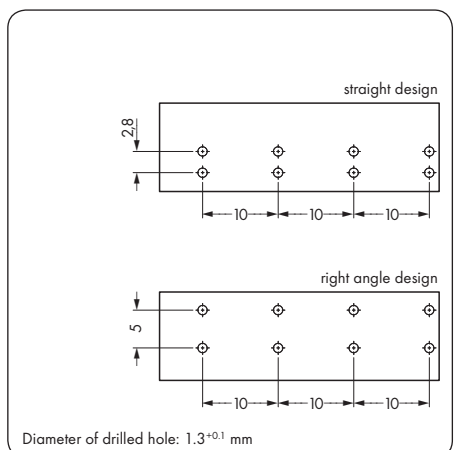
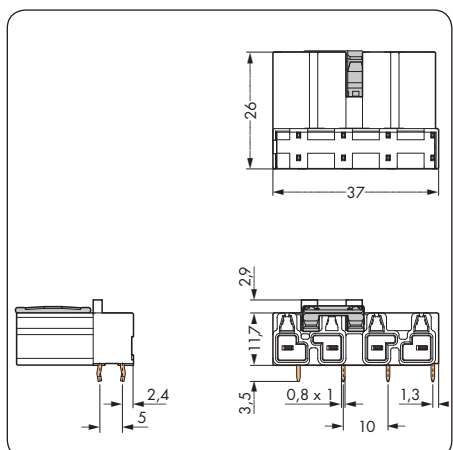
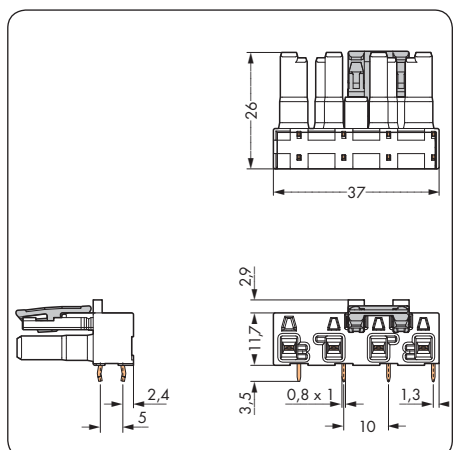


① Depends on the PCB track dimensions

| Nominal current | Thickness of PCB track | Width of PCB track | Conductor cross section       |
|-----------------|------------------------|--------------------|-------------------------------|
| 16 A            | 70 µm one side         | 7 mm / 0.27 in     | △1.5 mm <sup>2</sup> / AWG 16 |
| 20 A            | 70 µm one side         | 7 mm / 0.27 in     | △2.5 mm <sup>2</sup> / AWG 14 |
| 25 A            | 105 µm both sides      | 7 mm / 0.27 in     | △4 mm <sup>2</sup> / AWG 12   |

| Color                       | Item no.          | Pack.-unit | Color                     | Item no.          | Pack.-unit |
|-----------------------------|-------------------|------------|---------------------------|-------------------|------------|
| <b>Sockets, angled type</b> |                   |            | <b>Plugs, angled type</b> |                   |            |
| black                       | 770-804/011-000 ● | 50         | black                     | 770-814/011-000 ● | 50         |
| white                       | 770-824/011-000 ○ | 50         | white                     | 770-834/011-000 ○ | 50         |
| gray                        | 770-844/011-000 ● | 50         | gray                      | 770-854/011-000 ● | 50         |
|                             |                   |            |                           |                   |            |
|                             |                   |            |                           |                   |            |
|                             |                   |            |                           |                   |            |
|                             |                   |            |                           |                   |            |
|                             |                   |            |                           |                   |            |
|                             |                   |            |                           |                   |            |
| black                       | 770-201           | 100        |                           |                   |            |
| white                       | 770-221           | 100        |                           |                   |            |
|                             |                   |            |                           |                   |            |
|                             |                   |            | gray                      | 770-401           | 100        |
|                             |                   |            |                           |                   |            |
|                             |                   |            |                           |                   |            |
|                             |                   |            |                           |                   |            |
|                             |                   |            |                           |                   |            |
|                             |                   |            |                           |                   |            |
|                             |                   |            |                           |                   |            |


Hole patterns



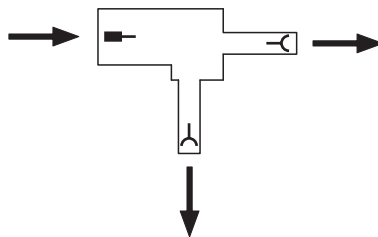
|  |                                                 |  |
|--|-------------------------------------------------|--|
|  | <p>400 V/6 kV/3<br/>25 A</p> <p>➊ Approvals</p> |  |
|--|-------------------------------------------------|--|



| Description                        | Color                                            | Item no.  | Pack.-unit |
|------------------------------------|--------------------------------------------------|-----------|------------|
| Distribution connectors, pluggable | T-distribution connectors, 1 x plug / 2 x socket |           |            |
|                                    | black                                            | 770-626 ● | 50         |
|                                    | white                                            | 770-676 ○ | 50         |
|                                    | for "flying leads", with 3rd locking lever       |           |            |
|                                    | black                                            | 770-627 ● | 50         |
|                                    | white                                            | 770-677 ○ | 50         |

| Accessories                                                                                                                             |       |         |     |
|-----------------------------------------------------------------------------------------------------------------------------------------|-------|---------|-----|
|  Lockout caps, for socket,<br>separable,<br>12 poles | black | 770-201 | 100 |
|                                                                                                                                         | white | 770-221 | 100 |

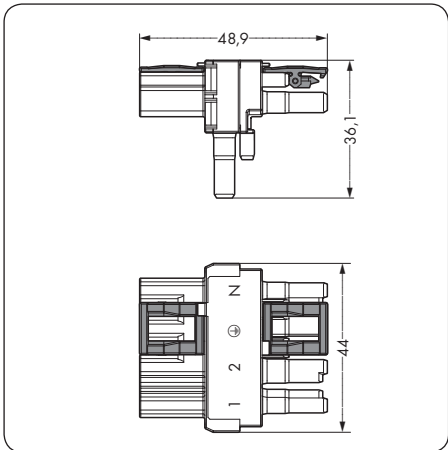
| Info | Dimensions (in mm) |
|------|--------------------|
|------|--------------------|




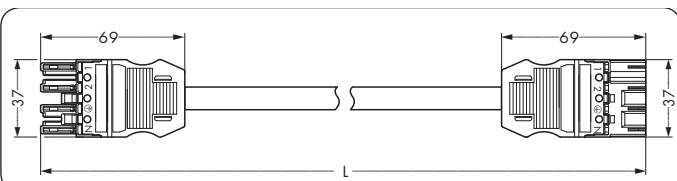

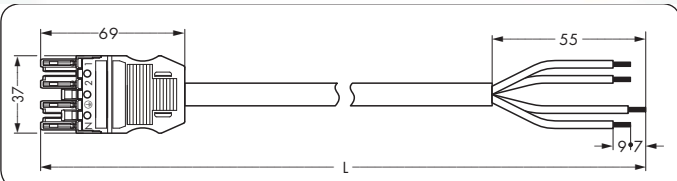


➊ Approval data can be found in the online catalog at [www.wagocatalog.com](http://www.wagocatalog.com)

● black Coding A (N ⊕ 2 1)  
○ white Coding A (N ⊕ 2 1)

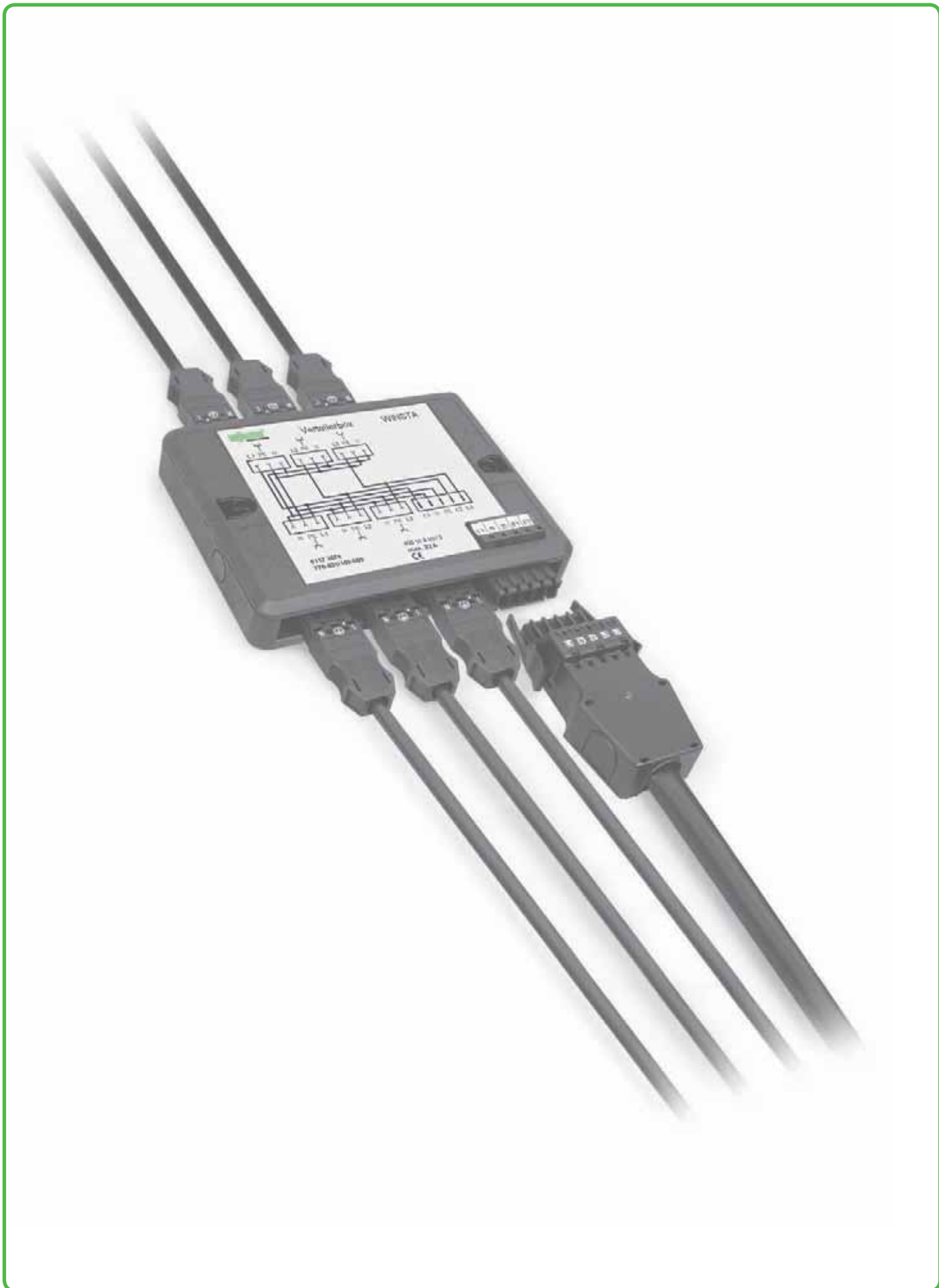
Please find some information on the different codings on pages 146 and 147



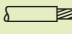
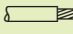


|                                                                                     |  |                                                                                                                                                                                                                                                                                                                                                                                                     |                  |                |                  |                |
|-------------------------------------------------------------------------------------|--|-----------------------------------------------------------------------------------------------------------------------------------------------------------------------------------------------------------------------------------------------------------------------------------------------------------------------------------------------------------------------------------------------------|------------------|----------------|------------------|----------------|
|                                                                                     |  | PVC H05VV-F 4G1.5<br>halogen-free H05Z1Z1-F 4G1.5<br><br>400 V/6 kV/3 16 A<br><br>Wire ends bonded 9 mm/0.35 in<br>① Approvals                                                                                                                                                                                                                                                                      |                  |                |                  |                |
| Interconnecting cables, socket - plug                                               |  | Length                                                                                                                                                                                                                                                                                                                                                                                              | Item no. black   | Item no. white | Item no. black   | Item no. white |
|    |  | Coding A                                                                                                                                                                                                                                                                                                                                                                                            | ● ○              |                |                  |                |
|     |  | PVC                                                                                                                                                                                                                                                                                                                                                                                                 | halogen-free     |                |                  |                |
|                                                                                     |  | 1 m                                                                                                                                                                                                                                                                                                                                                                                                 | 771-9994/006-101 | .../006-102    | 771-9994/016-101 | .../016-102    |
|                                                                                     |  | 2 m                                                                                                                                                                                                                                                                                                                                                                                                 | 771-9994/006-201 | .../006-202    | 771-9994/016-201 | .../016-202    |
|                                                                                     |  | 3 m                                                                                                                                                                                                                                                                                                                                                                                                 | 771-9994/006-301 | .../006-302    | 771-9994/016-301 | .../016-302    |
|                                                                                     |  | 4 m                                                                                                                                                                                                                                                                                                                                                                                                 | 771-9994/006-401 | .../006-402    | 771-9994/016-401 | .../016-402    |
|                                                                                     |  | 5 m                                                                                                                                                                                                                                                                                                                                                                                                 | 771-9994/006-501 | .../006-502    | 771-9994/016-501 | .../016-502    |
|                                                                                     |  | 6 m                                                                                                                                                                                                                                                                                                                                                                                                 | 771-9994/006-601 | .../006-602    | 771-9994/016-601 | .../016-602    |
|                                                                                     |  | 7 m                                                                                                                                                                                                                                                                                                                                                                                                 | 771-9994/006-701 | .../006-702    | 771-9994/016-701 | .../016-702    |
|                                                                                     |  | 8 m                                                                                                                                                                                                                                                                                                                                                                                                 | 771-9994/006-801 | .../006-802    | 771-9994/016-801 | .../016-802    |
| Connecting cables, socket - free end                                                |  | Length                                                                                                                                                                                                                                                                                                                                                                                              | Item no. black   | Item no. white | Item no. black   | Item no. white |
|   |  | Coding A                                                                                                                                                                                                                                                                                                                                                                                            | ● ○              |                |                  |                |
|   |  | PVC                                                                                                                                                                                                                                                                                                                                                                                                 | halogen-free     |                |                  |                |
|                                                                                     |  | 1 m                                                                                                                                                                                                                                                                                                                                                                                                 | 771-9994/106-101 | .../106-102    | 771-9994/116-101 | .../116-102    |
|                                                                                     |  | 2 m                                                                                                                                                                                                                                                                                                                                                                                                 | 771-9994/106-201 | .../106-202    | 771-9994/116-201 | .../116-202    |
|                                                                                     |  | 3 m                                                                                                                                                                                                                                                                                                                                                                                                 | 771-9994/106-301 | .../106-302    | 771-9994/116-301 | .../116-302    |
|                                                                                     |  | 4 m                                                                                                                                                                                                                                                                                                                                                                                                 | 771-9994/106-401 | .../106-402    | 771-9994/116-401 | .../116-402    |
|                                                                                     |  | 5 m                                                                                                                                                                                                                                                                                                                                                                                                 | 771-9994/106-501 | .../106-502    | 771-9994/116-501 | .../116-502    |
|                                                                                     |  | 6 m                                                                                                                                                                                                                                                                                                                                                                                                 | 771-9994/106-601 | .../106-602    | 771-9994/116-601 | .../116-602    |
|                                                                                     |  | 7 m                                                                                                                                                                                                                                                                                                                                                                                                 | 771-9994/106-701 | .../106-702    | 771-9994/116-701 | .../116-702    |
|                                                                                     |  | 8 m                                                                                                                                                                                                                                                                                                                                                                                                 | 771-9994/106-801 | .../106-802    | 771-9994/116-801 | .../116-802    |
| Connecting cables, plug - free end                                                  |  | Length                                                                                                                                                                                                                                                                                                                                                                                              | Item no. black   | Item no. white | Item no. black   | Item no. white |
|  |  | Coding A                                                                                                                                                                                                                                                                                                                                                                                            | ● ○              |                |                  |                |
|   |  | PVC                                                                                                                                                                                                                                                                                                                                                                                                 | halogen-free     |                |                  |                |
|                                                                                     |  | 1 m                                                                                                                                                                                                                                                                                                                                                                                                 | 771-9994/206-101 | .../206-102    | 771-9994/216-101 | .../216-102    |
|                                                                                     |  | 2 m                                                                                                                                                                                                                                                                                                                                                                                                 | 771-9994/206-201 | .../206-202    | 771-9994/216-201 | .../216-202    |
|                                                                                     |  | 3 m                                                                                                                                                                                                                                                                                                                                                                                                 | 771-9994/206-301 | .../206-302    | 771-9994/216-301 | .../216-302    |
|                                                                                     |  | 4 m                                                                                                                                                                                                                                                                                                                                                                                                 | 771-9994/206-401 | .../206-402    | 771-9994/216-401 | .../216-402    |
|                                                                                     |  | 5 m                                                                                                                                                                                                                                                                                                                                                                                                 | 771-9994/206-501 | .../206-502    | 771-9994/216-501 | .../216-502    |
|                                                                                     |  | 6 m                                                                                                                                                                                                                                                                                                                                                                                                 | 771-9994/206-601 | .../206-602    | 771-9994/216-601 | .../216-602    |
|                                                                                     |  | 7 m                                                                                                                                                                                                                                                                                                                                                                                                 | 771-9994/206-701 | .../206-702    | 771-9994/216-701 | .../216-702    |
|                                                                                     |  | 8 m                                                                                                                                                                                                                                                                                                                                                                                                 | 771-9994/206-801 | .../206-802    | 771-9994/216-801 | .../216-802    |
| Info                                                                                |  | ① Approval data can be found in the online catalog at <a href="http://www.wagocatalog.com">www.wagocatalog.com</a><br>Marine approvals (GL, LR, NV) relate exclusively to cables approved for marine applications!<br><br>Other cables on request<br><br>● black Coding A (N ⊕ 2 1)<br>○ white Coding A (N ⊕ 2 1)<br><br>Please find some information on the different codings on pages 146 and 147 |                  |                |                  |                |
| Accessories                                                                         |  | Locking levers, manually operated, for "flying leads"<br>black 770-101 100 (4 x 25)<br>white 770-121 100 (4 x 25)<br>Locking levers, tool operated, for "flying leads"<br>black 770-111 100 (4 x 25)<br>white 770-131 100 (4 x 25)<br>Lockout caps, for socket, separable, 12 poles<br>black 770-201 100<br>white 770-221 100<br>Coding pin, for plug<br>gray 770-401 100                           |                  |                |                  |                |









**WINSTA® - The perfect connection!**

|                                                                                                                                                                                          |                                                                                                                                                                                                                   |
|------------------------------------------------------------------------------------------------------------------------------------------------------------------------------------------|-------------------------------------------------------------------------------------------------------------------------------------------------------------------------------------------------------------------|
| <p>2 x 0.5 – 4 mm<sup>2</sup> ❶<br/>400 V/6 kV/3<br/>25 A</p> <p> 9 mm / 0.35 in</p> <p>❷ Approvals</p> | <p>2 x AWG 20 - 12</p> <p>2 x 0.5 – 4 mm<sup>2</sup> ❶<br/>400 V/6 kV/3<br/>25 A</p> <p> 9 mm / 0.35 in</p> <p>❷ Approvals</p> |
|------------------------------------------------------------------------------------------------------------------------------------------------------------------------------------------|-------------------------------------------------------------------------------------------------------------------------------------------------------------------------------------------------------------------|



| Description                                          | Color                                                                                      | Item no. | Pack-unit | Color                                                                                    | Item no. | Pack-unit |
|------------------------------------------------------|--------------------------------------------------------------------------------------------|----------|-----------|------------------------------------------------------------------------------------------|----------|-----------|
| Connectors, 5 poles,<br>with CAGE CLAMP®S connection | Sockets with strain relief housing,<br>for 2 cables, diameter 9 - 13 mm / 0.35 - 0.51 in ❸ |          |           | Plugs with strain relief housing,<br>for 2 cables, diameter 9 - 13 mm / 0.35 - 0.51 in ❸ |          |           |
|                                                      | black                                                                                      | 770-105  | ● 25      | black                                                                                    | 770-115  | ● 25      |
|                                                      | white                                                                                      | 770-125  | ○ 25      | white                                                                                    | 770-135  | ○ 25      |

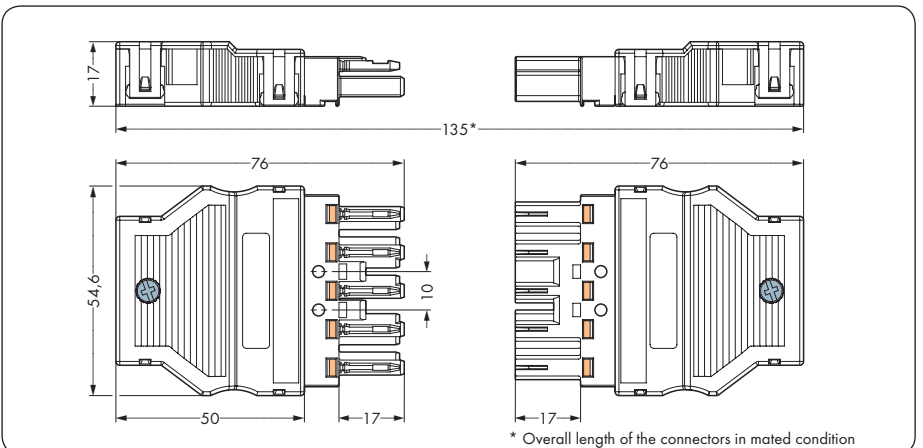
### Accessories

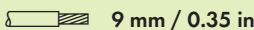

|                                                                                                                                              |       |         |                |       |         |                |
|----------------------------------------------------------------------------------------------------------------------------------------------|-------|---------|----------------|-------|---------|----------------|
|  Locking levers, manually operated,<br>for "flying leads" | black | 770-101 | ● 100 (4 x 25) | black | 770-101 | ● 100 (4 x 25) |
|                                                                                                                                              | white | 770-121 | ○ 100 (4 x 25) | white | 770-121 | ○ 100 (4 x 25) |
|  Locking levers, tool operated,<br>for "flying leads"     | black | 770-111 | ● 100 (4 x 25) | black | 770-111 | ● 100 (4 x 25) |
|                                                                                                                                              | white | 770-131 | ○ 100 (4 x 25) | white | 770-131 | ○ 100 (4 x 25) |
|  Lockout caps, for socket,<br>separable,<br>12 poles      | black | 770-201 | 100            |       |         |                |
|                                                                                                                                              | white | 770-221 | 100            |       |         |                |
|  Coding pin, for plug                                     |       |         |                | gray  | 770-401 | 100            |

| Info | Dimensions (in mm) |
|------|--------------------|
|------|--------------------|

- ❶ Wire range: 0.5 - 4 mm<sup>2</sup> "s + f-st"  
0.5 - 2.5 mm<sup>2</sup> "stranded"
  - ❷ Approval data can be found in the online catalog at [www.wagocatalog.com](http://www.wagocatalog.com)
  - ❸ More strain relief housings see pages 60 and 61
- |         |          |                   |
|---------|----------|-------------------|
| ● black | Coding A | (N ⊕ L1 L2 L3)    |
| ○ white | Coding A | (N ⊕ L1 L2 L3)    |
| ● gray  | Coding B | (1 2 3 4 5)       |
| ● blue  | Coding I | (N ⊕ L DA- DA+)   |
| ● red   | Coding P | (N ⊕ L1 L2 L3)    |
| ● green | Coding Q | (N PE1 PE2 PE3 L) |

Please find some information on the different codings on pages 146 and 147



|                                                                                                                                                                              |                 |                                                                                                                                                                              |                 |
|------------------------------------------------------------------------------------------------------------------------------------------------------------------------------|-----------------|------------------------------------------------------------------------------------------------------------------------------------------------------------------------------|-----------------|
| 2 x 0.5 – 4 mm <sup>2</sup> ①<br>400 V/6 kV/3<br>25 A<br><br> 9 mm / 0.35 in<br>② Approvals | 2 x AWG 20 - 12 | 2 x 0.5 – 4 mm <sup>2</sup> ①<br>400 V/6 kV/3<br>25 A<br><br> 9 mm / 0.35 in<br>② Approvals | 2 x AWG 20 - 12 |
|------------------------------------------------------------------------------------------------------------------------------------------------------------------------------|-----------------|------------------------------------------------------------------------------------------------------------------------------------------------------------------------------|-----------------|



**NOTE:**

All products for fixed installations (snap-in versions, distribution connectors) are equipped with locking levers ex-factory, so that the plugs or sockets are always locked. Additional locking levers are only required for "flying leads" (plug/socket).

| Color                                        | Item no.   | Pack.-unit   | Color                                       | Item no.   | Pack.-unit   |
|----------------------------------------------|------------|--------------|---------------------------------------------|------------|--------------|
| <b>Sockets without strain relief housing</b> |            |              | <b>Plugs without strain relief housing</b>  |            |              |
| black                                        | 770-205 ●  | 50           | black                                       | 770-215 ●  | 50           |
| white                                        | 770-225 ○  | 50           | white                                       | 770-235 ○  | 50           |
| gray                                         | 770-245 ●  | 50           | gray                                        | 770-255 ●  | 50           |
| blue                                         | 770-1105 ● | 50           | blue                                        | 770-1115 ● | 50           |
| red                                          | 770-1305 ● | 50           | red                                         | 770-1315 ● | 50           |
| For "Clean Earth" applications (up to 32 A)  |            |              | For "Clean Earth" applications (up to 32 A) |            |              |
| green                                        | 770-1325 ● | 50           | green                                       | 770-1335 ● | 50           |
|                                              |            |              |                                             |            |              |
| black                                        | 770-101    | 100 (4 x 25) | black                                       | 770-101    | 100 (4 x 25) |
| white                                        | 770-121    | 100 (4 x 25) | white                                       | 770-121    | 100 (4 x 25) |
|                                              |            |              |                                             |            |              |
| black                                        | 770-111    | 100 (4 x 25) | black                                       | 770-111    | 100 (4 x 25) |
| white                                        | 770-131    | 100 (4 x 25) | white                                       | 770-131    | 100 (4 x 25) |
|                                              |            |              |                                             |            |              |
| black                                        | 770-201    | 100          |                                             |            |              |
| white                                        | 770-221    | 100          |                                             |            |              |
|                                              |            |              |                                             |            |              |
|                                              |            |              | gray                                        | 770-401    | 100          |



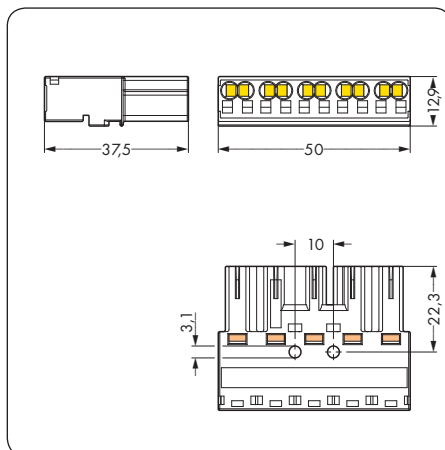
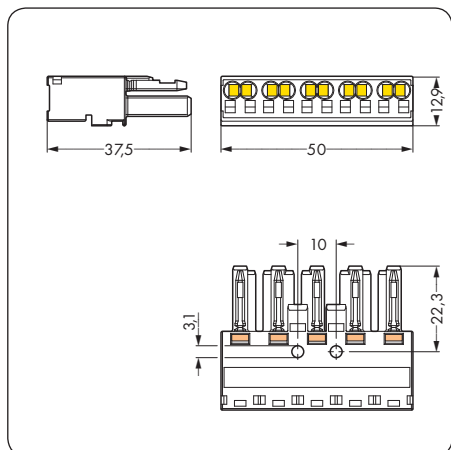
Snap on locking lever. Observe direction!  
(Example shows 3-pole plug)

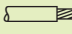
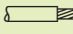


Locking lever, manually operated:  
1.) Press on locking lever.  
2.) Pull apart the connectors.  
(Example shows 3-pole connector)



Locking lever, tool operated:  
1.) Unlatch locking lever.  
2.) Pull apart the connectors.  
(Example shows 3-pole connector)



|                                                                                                  |             |                                                                                                    |             |
|--------------------------------------------------------------------------------------------------|-------------|----------------------------------------------------------------------------------------------------|-------------|
| 0.5 – 4 mm <sup>2</sup> ①<br>400 V/6 kV/3<br>25 A                                                | AWG 20 - 12 | 0.5 – 4 mm <sup>2</sup> ①<br>400 V/6 kV/3<br>25 A                                                  | AWG 20 - 12 |
|  9 mm / 0.35 in |             |  9 mm / 0.35 in |             |
| ② Approvals                                                                                      |             | ② Approvals                                                                                        |             |



| Description                                                                                                                      | Color                                                                                      | Item no.         | Pack-unit    | Color                                                                                    | Item no.         | Pack-unit    |
|----------------------------------------------------------------------------------------------------------------------------------|--------------------------------------------------------------------------------------------|------------------|--------------|------------------------------------------------------------------------------------------|------------------|--------------|
| <b>Connectors, 5 poles, 1-conductor connection, with CAGE CLAMP®S connection</b>                                                 | <b>Sockets with strain relief housing, for cable diameter 9 - 13 mm / 0.35 - 0.51 in ③</b> |                  |              | <b>Plugs with strain relief housing, for cable diameter 9 - 13 mm / 0.35 - 0.51 in ③</b> |                  |              |
| A generously dimensioned funneled conductor entry hole makes wire connection easier, especially with solid conductors (e.g. NYM) | black                                                                                      | <b>770-305</b> ● | 25           | black                                                                                    | <b>770-315</b> ● | 25           |
|                                                                                                                                  | white                                                                                      | <b>770-325</b> ○ | 25           | white                                                                                    | <b>770-335</b> ○ | 25           |
| <b>Accessories</b>                                                                                                               |                                                                                            |                  |              |                                                                                          |                  |              |
| <b>Locking levers, manually operated, for "flying leads"</b>                                                                     | black                                                                                      | <b>770-101</b>   | 100 (4 x 25) | black                                                                                    | <b>770-101</b>   | 100 (4 x 25) |
|                                                                                                                                  | white                                                                                      | <b>770-121</b>   | 100 (4 x 25) | white                                                                                    | <b>770-121</b>   | 100 (4 x 25) |
| <b>Locking levers, tool operated, for "flying leads"</b>                                                                         | black                                                                                      | <b>770-111</b>   | 100 (4 x 25) | black                                                                                    | <b>770-111</b>   | 100 (4 x 25) |
|                                                                                                                                  | white                                                                                      | <b>770-131</b>   | 100 (4 x 25) | white                                                                                    | <b>770-131</b>   | 100 (4 x 25) |
| <b>Lockout caps, for socket, separable, 12 poles</b>                                                                             | black                                                                                      | <b>770-201</b>   | 100          |                                                                                          |                  |              |
|                                                                                                                                  | white                                                                                      | <b>770-221</b>   | 100          |                                                                                          |                  |              |
| <b>Coding pin, for plug</b>                                                                                                      |                                                                                            |                  |              | gray                                                                                     | <b>770-401</b>   | 100          |

| Info | Dimensions (in mm) |
|------|--------------------|
|------|--------------------|

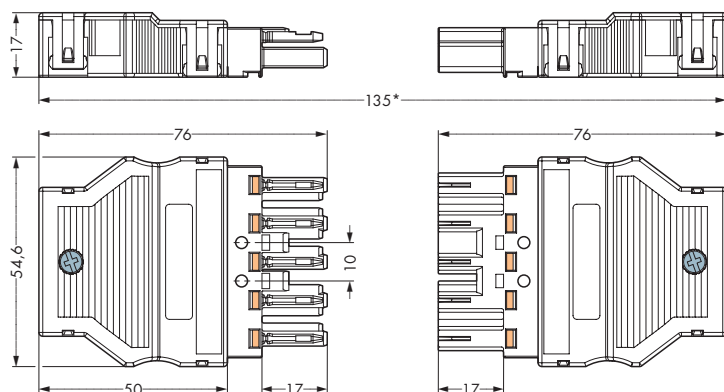
① Wire range: 0.5 - 4 mm<sup>2</sup> "s + f-st"  
0.5 - 2.5 mm<sup>2</sup> "stranded"

② Approval data can be found in the online catalog at [www.wagocatalog.com](http://www.wagocatalog.com)

③ More strain relief housings see pages 60 and 61

● black Coding A (N ⊕ L1 L2 L3)  
○ white Coding A (N ⊕ L1 L2 L3)

Please find some information on the different codings on pages 146 and 147



\* Overall length of the connectors in mated condition

|                                                   |             |                                                   |             |
|---------------------------------------------------|-------------|---------------------------------------------------|-------------|
| 0.5 – 4 mm <sup>2</sup> ①<br>400 V/6 kV/3<br>25 A | AWG 20 - 12 | 0.5 – 4 mm <sup>2</sup> ①<br>400 V/6 kV/3<br>25 A | AWG 20 - 12 |
| 9 mm / 0.35 in                                    |             | 9 mm / 0.35 in                                    |             |
| ② Approvals                                       |             | ② Approvals                                       |             |



**NOTE:**

All products for fixed installations (snap-in versions, distribution connectors) are equipped with locking levers ex-factory, so that the plugs or sockets are always locked. Additional locking levers are only required for "flying leads" (plug/socket).

| Color                                        | Item no.  | Pack.-unit   | Color                                      | Item no.  | Pack.-unit   |
|----------------------------------------------|-----------|--------------|--------------------------------------------|-----------|--------------|
| <b>Sockets without strain relief housing</b> |           |              | <b>Plugs without strain relief housing</b> |           |              |
| black                                        | 770-405 ● | 50           | black                                      | 770-415 ● | 50           |
| white                                        | 770-425 ○ | 50           | white                                      | 770-435 ○ | 50           |
| black                                        | 770-101   | 100 (4 x 25) | black                                      | 770-101   | 100 (4 x 25) |
| white                                        | 770-121   | 100 (4 x 25) | white                                      | 770-121   | 100 (4 x 25) |
| black                                        | 770-111   | 100 (4 x 25) | black                                      | 770-111   | 100 (4 x 25) |
| white                                        | 770-131   | 100 (4 x 25) | white                                      | 770-131   | 100 (4 x 25) |
| black                                        | 770-201   | 100          |                                            |           |              |
| white                                        | 770-221   | 100          |                                            |           |              |
|                                              |           |              | gray                                       | 770-401   | 100          |



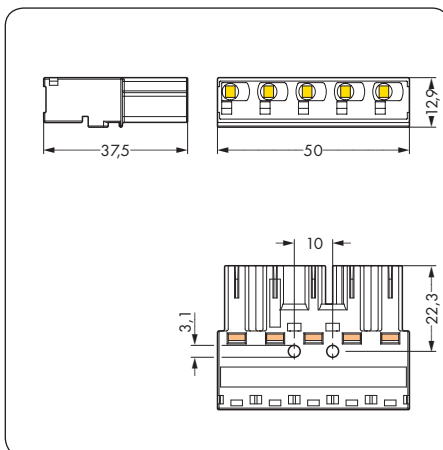
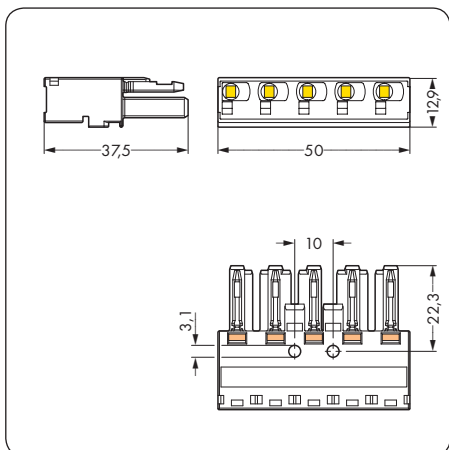
Snap on locking lever. Observe direction!  
(Example shows 3-pole plug)



Locking lever, manually operated:  
1.) Press on locking lever.  
2.) Pull apart the connectors.  
(Example shows 3-pole connector)



Locking lever, tool operated:  
1.) Unlatch locking lever.  
2.) Pull apart the connectors.  
(Example shows 3-pole connector)



## Strain Relief Housings, 5 Poles, for Different Cable Diameters

|  |                                                                                                               |                                                                                                               |
|--|---------------------------------------------------------------------------------------------------------------|---------------------------------------------------------------------------------------------------------------|
|  | <b>Snap-on type strain relief housing for</b><br>- 5-pole sockets<br>- 5-pole plugs<br><br><b>1 Approvals</b> | <b>Snap-on type strain relief housing for</b><br>- 5-pole sockets<br>- 5-pole plugs<br><br><b>1 Approvals</b> |
|--|---------------------------------------------------------------------------------------------------------------|---------------------------------------------------------------------------------------------------------------|



| Description                            | Color | Item no.                                                                          | Pack.-unit | Color | Item no.                                                                           | Pack.-unit |
|----------------------------------------|-------|-----------------------------------------------------------------------------------|------------|-------|------------------------------------------------------------------------------------|------------|
| <b>Strain relief housings, 5 poles</b> |       | <b>Strain relief housings, for 2 cables, diameter 5 - 9 mm / 0.19 - 0.35 in ②</b> |            |       | <b>Strain relief housings, for 2 cables, diameter 9 - 13 mm / 0.35 - 0.51 in ②</b> |            |
|                                        | black | <b>770-505/023-000</b>                                                            | 25         | black | <b>770-505</b>                                                                     | 25         |
|                                        | white | <b>770-515/023-000</b>                                                            | 25         | white | <b>770-515</b>                                                                     | 25         |

### Accessories

|                                                                                           |                                                                                |                    |                                                                                |                    |
|-------------------------------------------------------------------------------------------|--------------------------------------------------------------------------------|--------------------|--------------------------------------------------------------------------------|--------------------|
| <b>Marker strips, self-adhesive,</b><br>on DIN A 1 card,<br>strip length 182 mm / 7.16 in | Height 6 mm / 0.23 in<br>Size of the marker field 48 x 6.5 mm / 1.89 x 0.25 in | <b>210-333</b> 100 | Height 6 mm / 0.23 in<br>Size of the marker field 48 x 6.5 mm / 1.89 x 0.25 in | <b>210-333</b> 100 |
|-------------------------------------------------------------------------------------------|--------------------------------------------------------------------------------|--------------------|--------------------------------------------------------------------------------|--------------------|

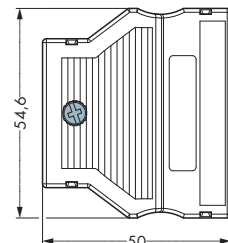
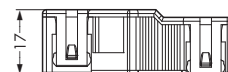
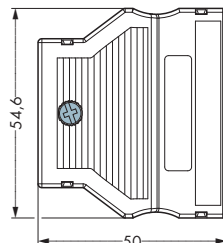
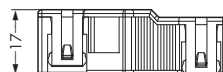
### Info

### Dimensions (in mm)

**1** Approval data can be found in the online catalog at [www.wagocatalog.com](http://www.wagocatalog.com)

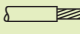
**2** For H05VV and NYM cables

Other cables on request








## Snap-In Sockets and Plugs, 5 Poles

|  |                                                                                                         |                        |
|--|---------------------------------------------------------------------------------------------------------|------------------------|
|  | <b>2 x 0.5 – 4 mm<sup>2</sup> ①</b><br>400 V/6 kV/3<br>25 A                                             | <b>2 x AWG 20 - 12</b> |
|  |  <b>9 mm / 0.35 in</b> |                        |
|  | <b>② Approvals</b>                                                                                      |                        |

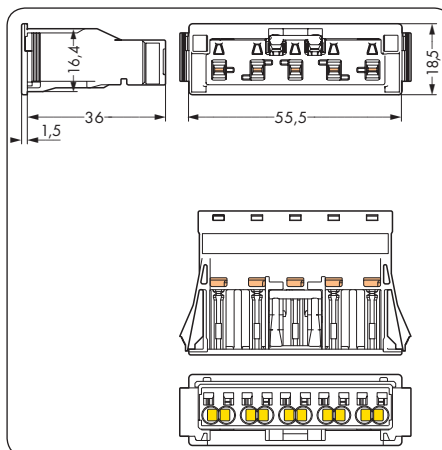


| Description                                                                         | Color                                       | Item no.          | Pack.-unit |
|-------------------------------------------------------------------------------------|---------------------------------------------|-------------------|------------|
| <b>Connectors, snap-in device connection, 5 poles, with CAGE CLAMP®S connection</b> | <b>Sockets</b>                              |                   |            |
|                                                                                     | black                                       | <b>770-705</b> ●  | 100        |
|                                                                                     | white                                       | <b>770-725</b> ○  | 100        |
|                                                                                     | gray                                        | <b>770-745</b> ●  | 100        |
|                                                                                     | blue                                        | <b>770-2105</b> ● | 100        |
|                                                                                     | red                                         | <b>770-2305</b> ● | 100        |
|                                                                                     | For "Clean Earth" applications (up to 32 A) |                   |            |
|                                                                                     | green                                       | <b>770-2325</b> ● | 50         |

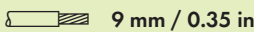

| Accessories                                                                         |       |                |     |
|-------------------------------------------------------------------------------------|-------|----------------|-----|
| <b>Lockout caps, for cut-out</b>                                                    |       |                |     |
|  | black | <b>770-645</b> | 100 |
|                                                                                     | white | <b>770-695</b> | 100 |
| <b>Lockout caps, for socket, separable, 12 poles</b>                                |       |                |     |
|  | black | <b>770-201</b> | 100 |
|                                                                                     | white | <b>770-221</b> | 100 |
| <b>Coding pin, for plug</b>                                                         |       |                |     |
|  |       |                |     |

| Info | Dimensions (in mm) |
|------|--------------------|
|------|--------------------|

- ① Wire range: 0.5 - 4 mm<sup>2</sup> "s + f-st"  
0.5 - 2.5 mm<sup>2</sup> "stranded"
  - ② Approval data can be found in the online catalog at [www.wagocatalog.com](http://www.wagocatalog.com)
  - ③ Direct contact of the ground conductor on position PE1
- |         |          |                   |
|---------|----------|-------------------|
| ● black | Coding A | (N ⊕ L1 L2 L3)    |
| ○ white | Coding A | (N ⊕ L1 L2 L3)    |
| ● gray  | Coding B | (1 2 3 4 5)       |
| ● blue  | Coding I | (N ⊕ L DA- DA+)   |
| ● red   | Coding P | (N ⊕ L1 L2 L3)    |
| ● green | Coding Q | (N PE1 PE2 PE3 L) |
- Please find some information on the different codings on pages 146 and 147





|                                                                                                  |                 |                                                                                                  |                 |
|--------------------------------------------------------------------------------------------------|-----------------|--------------------------------------------------------------------------------------------------|-----------------|
| 2 x 0.5 – 4 mm <sup>2</sup> ①<br>400 V/6 kV/3<br>25 A                                            | 2 x AWG 20 - 12 | 2 x 0.5 – 4 mm <sup>2</sup> ①<br>400 V/6 kV/3<br>25 A                                            | 2 x AWG 20 - 12 |
|  9 mm / 0.35 in |                 |  9 mm / 0.35 in |                 |
| ② Approvals                                                                                      |                 | ② Approvals                                                                                      |                 |



| Color                                       | Item no. | Pack.-unit | Color                                                        | Item no.         | Pack.-unit |
|---------------------------------------------|----------|------------|--------------------------------------------------------------|------------------|------------|
| <b>Plugs</b>                                |          |            | <b>Plugs, with direct contacting of the ground conductor</b> |                  |            |
| black                                       | 770-715  | ● 100      | black                                                        | 770-715/007-000  | ● 100      |
| white                                       | 770-735  | ○ 100      | white                                                        | 770-735/007-000  | ○ 100      |
| gray                                        | 770-755  | ● 100      |                                                              |                  |            |
| blue                                        | 770-2115 | ● 100      | blue                                                         | 770-2115/007-000 | ● 100      |
| red                                         | 770-2315 | ● 100      |                                                              |                  |            |
| For "Clean Earth" applications (up to 32 A) |          |            | For "Clean Earth" applications (up to 32 A)                  |                  |            |
| green                                       | 770-2335 | ● 50       | green                                                        | 770-2335/007-000 | ● 50 ③     |
|                                             |          |            |                                                              |                  |            |
|                                             |          |            |                                                              |                  |            |
| black                                       | 770-645  | 100        | black                                                        | 770-645          | 100        |
| white                                       | 770-695  | 100        | white                                                        | 770-695          | 100        |
|                                             |          |            |                                                              |                  |            |
|                                             |          |            |                                                              |                  |            |
| gray                                        | 770-401  | 100        | gray                                                         | 770-401          | 100        |
|                                             |          |            |                                                              |                  |            |
|                                             |          |            |                                                              |                  |            |

**Direct contact of the earth conductor**



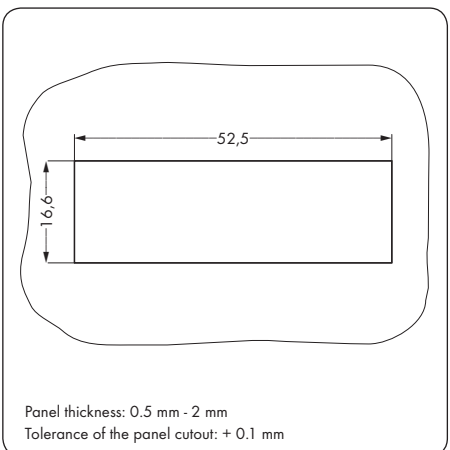
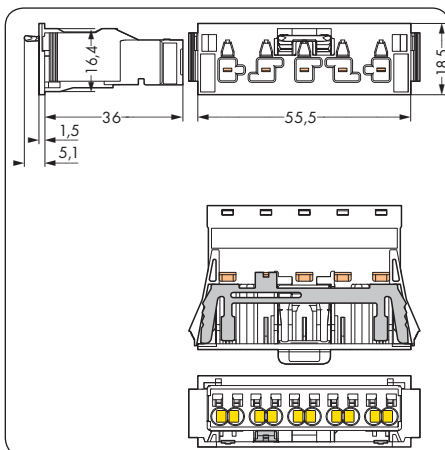
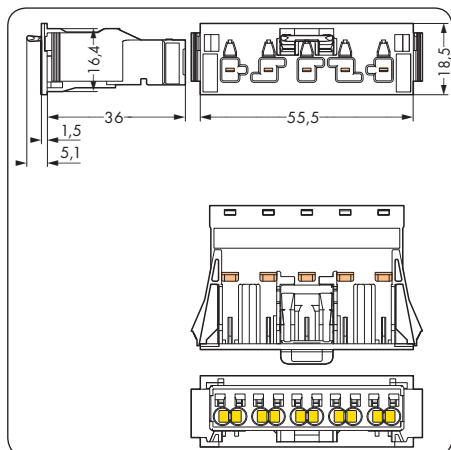
Varnish-piercing direct contacting of the earth conductor. ③

**Lockout cap**



Seal unused cutout with lockout cap.

**Cut-out dimensions**



|  |                                                   |                                                   |
|--|---------------------------------------------------|---------------------------------------------------|
|  | <p>400 V/6 kV/3<br/>25 A ①</p> <p>② Approvals</p> | <p>400 V/6 kV/3<br/>25 A ①</p> <p>② Approvals</p> |
|--|---------------------------------------------------|---------------------------------------------------|



| Description                                       | Color                  | Item no. | Pack.-unit | Color                | Item no. | Pack.-unit |
|---------------------------------------------------|------------------------|----------|------------|----------------------|----------|------------|
| PCB connectors, 5 poles<br>2 solder pins per pole | Sockets, straight type |          |            | Plugs, straight type |          |            |
|                                                   | black                  | 770-805  | ● 50       | black                | 770-815  | ● 50       |
|                                                   | white                  | 770-825  | ○ 50       | white                | 770-835  | ○ 50       |
|                                                   | gray                   | 770-845  | ● 50       | gray                 | 770-855  | ● 50       |
|                                                   | blue                   | 770-3105 | ● 50       | blue                 | 770-3115 | ● 50       |

| Accessories                                         |       |         |     |      |         |     |
|-----------------------------------------------------|-------|---------|-----|------|---------|-----|
| Lockout caps, for socket,<br>separable,<br>12 poles | black | 770-201 | 100 |      |         |     |
|                                                     | white | 770-221 | 100 |      |         |     |
| Coding pin, for plug                                |       |         |     | gray | 770-401 | 100 |

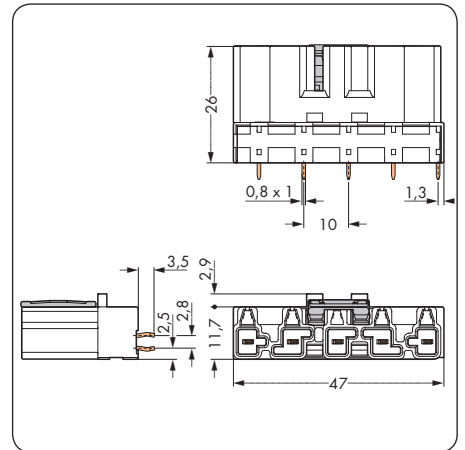
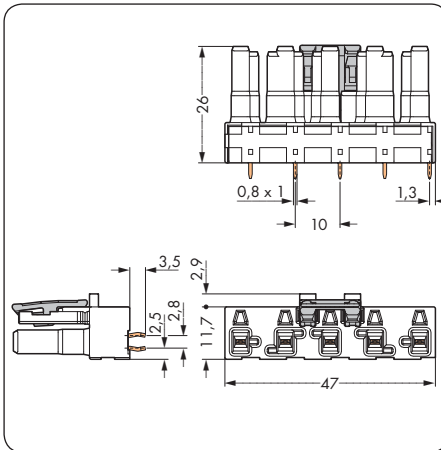
| Info | Dimensions (in mm) |
|------|--------------------|
|------|--------------------|

① Current load see table on page 65

② Approval data can be found in the online catalog at [www.wagocatalog.com](http://www.wagocatalog.com)

● black Coding A (N ⊕ L1 L2 L3)  
○ white Coding A (N ⊕ L1 L2 L3)  
● gray Coding B (1 2 3 4 5)  
● blue Coding I (N ⊕ L DA- DA+)

Please find some information on the different codings on pages 146 and 147







|  |                                                 |                                                                  |
|--|-------------------------------------------------|------------------------------------------------------------------|
|  | <p>400 V/6 kV/3<br/>25 A</p> <p>① Approvals</p> | <p>250 V/4 kV/3<br/>400 V/6 kV/3<br/>25 A</p> <p>① Approvals</p> |
|--|-------------------------------------------------|------------------------------------------------------------------|



| Description                         | Color                                        | Item no.  | Pack-unit | Color                                 | Item no.  | Pack-unit |
|-------------------------------------|----------------------------------------------|-----------|-----------|---------------------------------------|-----------|-----------|
| Intermediate couplers, 5 poles      | Intermediate couplers, 1 x plug / 1 x socket |           |           | Intermediate couplers, 5 to 3 poles ② |           |           |
| Intermediate couplers, 5 to 3 poles |                                              |           |           |                                       |           |           |
| T-distribution connectors, 5 poles  | black                                        | 770-605 ● | 100       | L1 – L                                | 770-901 ● | 100       |
| Distribution connectors, 5 poles    | white                                        | 770-655 ○ | 100       | L1 – L                                | 770-951 ○ | 100       |
|                                     | blue                                         | 770-619 ● | 100       |                                       |           |           |
|                                     |                                              |           |           | L2 – L                                | 770-902 ● | 100       |
|                                     |                                              |           |           | L2 – L                                | 770-952 ○ | 100       |
|                                     |                                              |           |           | L3 – L                                | 770-903 ● | 100       |
|                                     |                                              |           |           | L3 – L                                | 770-953 ○ | 100       |

| Accessories                                                                                                                                                                                                                                  |       |         |     |       |         |     |
|----------------------------------------------------------------------------------------------------------------------------------------------------------------------------------------------------------------------------------------------|-------|---------|-----|-------|---------|-----|
| <p><b>Mounting plates</b>, for distribution connectors</p>  <p><b>Fixing pin</b>, for mounting plates,<br/>6.1 x 2.5 - 4 mm / 0.24 x 0.098 - 0.157 in</p> |       |         |     |       |         |     |
| <p><b>Lockout caps</b>, for socket,<br/>separable,<br/>12 poles</p>                                                                                       |       |         |     |       |         |     |
|                                                                                                                                                                                                                                              | black | 770-201 | 100 | black | 770-201 | 100 |
|                                                                                                                                                                                                                                              | white | 770-221 | 100 | white | 770-221 | 100 |

| Info | Dimensions (in mm) |
|------|--------------------|
|------|--------------------|

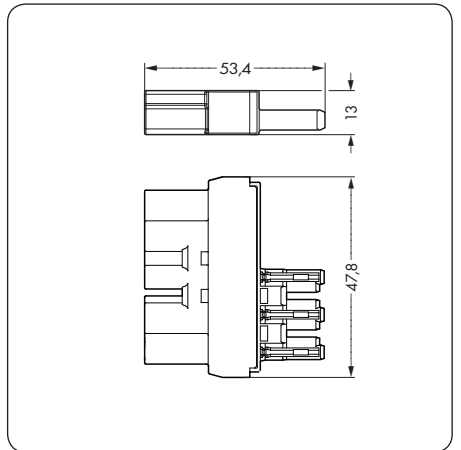
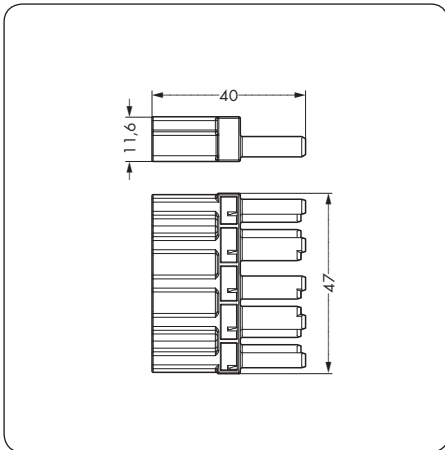


① Approval data can be found in the online catalog at [www.wagocatalog.com](http://www.wagocatalog.com)

② One locking lever for each intermediate coupler included in the delivery

● black Coding A (N ⊕ L1 L2 L3)  
○ white Coding A (N ⊕ L1 L2 L3)  
● blue Coding I (N ⊕ L DA- DA+)

Please find some information on the different codings on pages 146 and 147

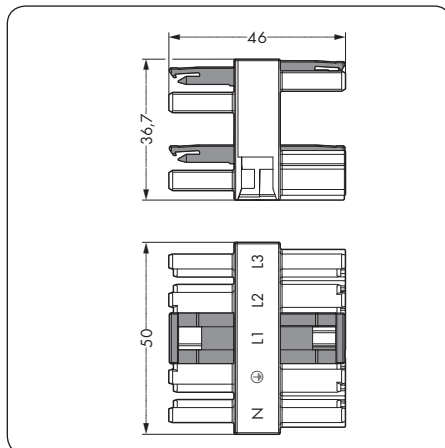
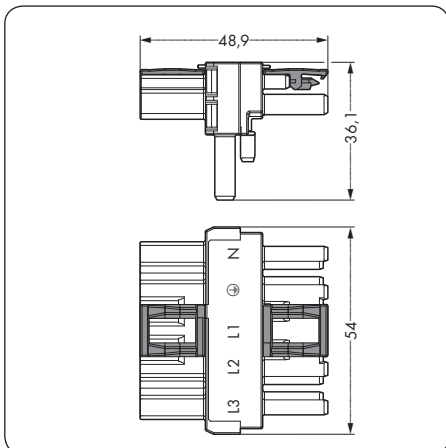
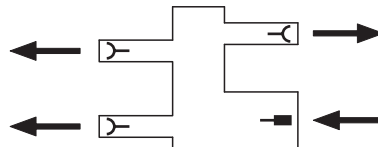
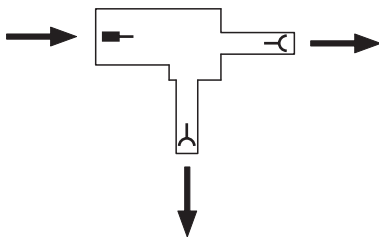


# Distribution Connectors, 5 Poles

|                      |                      |
|----------------------|----------------------|
| 400 V/6 kV/3<br>25 A | 400 V/6 kV/3<br>25 A |
| ① Approvals          | ① Approvals          |



| Color                                                   | Item no. | Pack.-unit | Color                                                                     | Item no. | Pack.-unit |
|---------------------------------------------------------|----------|------------|---------------------------------------------------------------------------|----------|------------|
| <b>T-distribution connectors, 1 x plug / 2 x socket</b> |          |            | <b>Distribution connectors, 3-way,<br/>5 poles, 1 x plug / 3 x socket</b> |          |            |
| black                                                   | 770-621  | ● 50       | black                                                                     | 770-609  | ● 25       |
| white                                                   | 770-671  | ○ 50       | white                                                                     | 770-659  | ○ 25       |
| blue                                                    | 770-617  | ● 50       |                                                                           |          |            |
| for "flying leads", with 3rd locking lever              |          |            |                                                                           |          |            |
| black                                                   | 770-622  | ● 50       |                                                                           |          |            |
| white                                                   | 770-672  | ○ 50       |                                                                           |          |            |
| blue                                                    | 770-620  | ● 50       |                                                                           |          |            |
|                                                         |          |            | black                                                                     | 770-625  | 25         |
|                                                         |          |            | white                                                                     | 770-675  | 25         |
|                                                         |          |            | black                                                                     | 770-601  | 250        |
| black                                                   | 770-201  | 100        | black                                                                     | 770-201  | 100        |
| white                                                   | 770-221  | 100        | white                                                                     | 770-221  | 100        |



## Three-Phase to Single-Phase Distribution Connectors with Phase Selection, 5 Poles




250 V/4 kV/3  
400 V/6 kV/3  
25 A

① Approvals

Due to the diverse jumper positions, the user can choose from many different tapping options. The 3 fixed tap-offs (L1/L2/L3) as well as the freely selectable 4th tap-off provide for high flexibility before, during and after the installation.



| Description                                                  | Color                                                 | Item no.  | Pack-unit |
|--------------------------------------------------------------|-------------------------------------------------------|-----------|-----------|
| Three-phase to single-phase distribution connectors, 5 poles | Three-phase to single-phase distribution connectors ② |           |           |
|                                                              | black                                                 | 770-640 ● | 10        |
|                                                              | white                                                 | 770-690 ○ | 10        |
|                                                              | red                                                   | 770-940 ● | 10        |

| Accessories                                                                                                                                                     |       |         |     |
|-----------------------------------------------------------------------------------------------------------------------------------------------------------------|-------|---------|-----|
|  Mounting plates, for distribution connectors                                | black | 770-625 | 25  |
|                                                                                                                                                                 | white | 770-675 | 25  |
|  Fixing pin, for mounting plates, 6.1 x 2.5 - 4 mm / 0.24 x 0.098 - 0.157 in | black | 770-601 | 250 |
|                                                                                                                                                                 |       |         |     |
|  Lockout caps, for socket, separable, 12 poles                               | black | 770-201 | 100 |
|                                                                                                                                                                 | white | 770-221 | 100 |

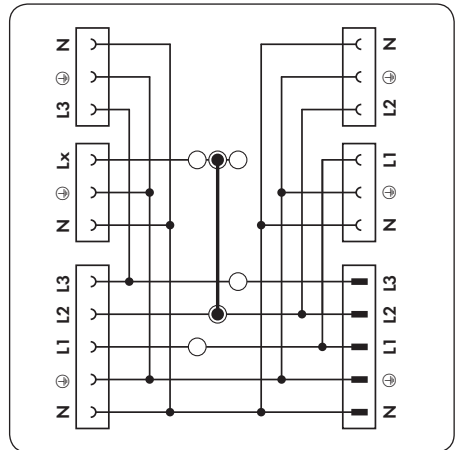
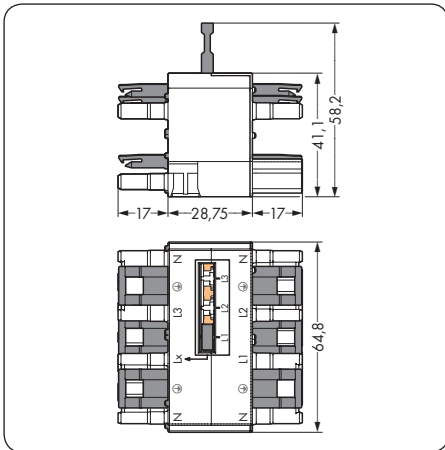
| Info | Dimensions and internal circuit |
|------|---------------------------------|
|------|---------------------------------|

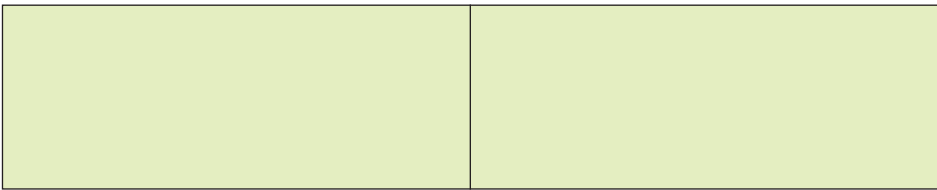
① Approval data can be found in the online catalog at [www.wagocatalog.com](http://www.wagocatalog.com)

② Jumper position on delivery L2

● black Coding A (N ⊕ L1 L2 L3)  
○ white Coding A (N ⊕ L1 L2 L3)  
● red Coding P (N ⊕ L1 L2 L3)

Please find some information on the different codings on pages 146 and 147





|  |  |
|--|--|
|  |  |
|  |  |
|  |  |
|  |  |
|  |  |
|  |  |
|  |  |
|  |  |
|  |  |

|  |  |
|--|--|
|  |  |
|  |  |
|  |  |
|  |  |
|  |  |
|  |  |
|  |  |
|  |  |
|  |  |

Use



Movable jumper.



Jumper pushed down, flush with the housing (position L1).



An additional h-distribution connector doubles L1. This results in the following connection options:  
 L1/L1/L2/L2/L3 with jumper in position L2  
 L1/L1/L2/L3/L3 with jumper in position L3



Additional h-distribution connectors double L1 and L3. This results in the following connection option:  
 L1/L1/L2/L2/L3/L3 with jumper in position L2  
 NOTICE: h-distribution connectors can only be plugged on L1 and L3!



|                                                                                                                                                                                                    |                    |
|----------------------------------------------------------------------------------------------------------------------------------------------------------------------------------------------------|--------------------|
| <p>0.5 – 4 mm<sup>2</sup> ❶<br/>                 250 V/4 kV/3<br/>                 400 V/6 kV/3<br/>                 25 A<br/>                 9 mm / 0.35 in<br/>                 ❷ Approvals</p> | <p>AWG 20 - 12</p> |
|----------------------------------------------------------------------------------------------------------------------------------------------------------------------------------------------------|--------------------|



Lift jumper out of delivery position (L2) using a screwdriver and move it into the desired position.



Push down jumper in its new position (picture shows L3).



The 5-pole energy circuit can be extended using pluggable cable assemblies.



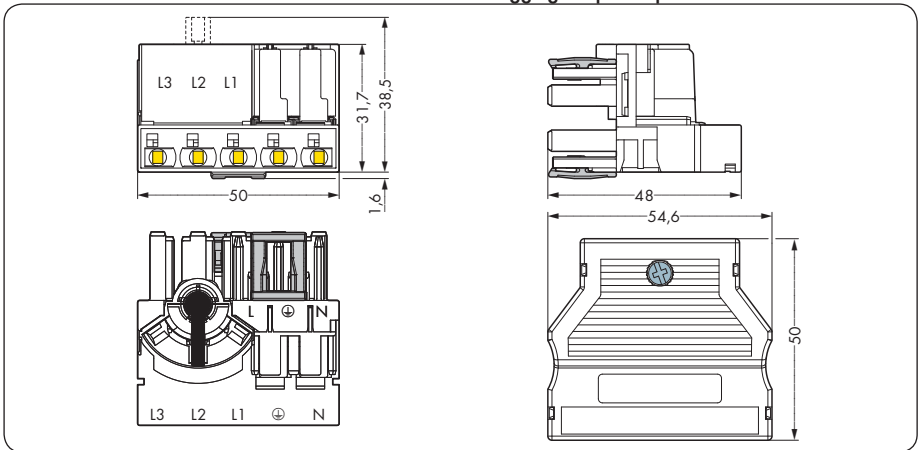
Plugging a 3-pole tap-off cable.

| Description                                                                        | Color                                                                           | Item no.  | Pack-unit |
|------------------------------------------------------------------------------------|---------------------------------------------------------------------------------|-----------|-----------|
| <b>Distribution connectors with phase selection, with CAGE CLAMP®S connection,</b> | <b>Distribution connectors with phase selection, with strain relief housing</b> |           |           |
| Tap-off: Socket, 3 poles, N ⊕ L                                                    | Cable diameter 9 - 13 mm / 0.35 - 0.51 in ❸                                     |           |           |
| Through contact: Socket, 5 poles, N ⊕ L1 L2 L3                                     | black                                                                           | 770-611 ● | 10        |
|                                                                                    | white                                                                           | 770-661 ○ | 10        |


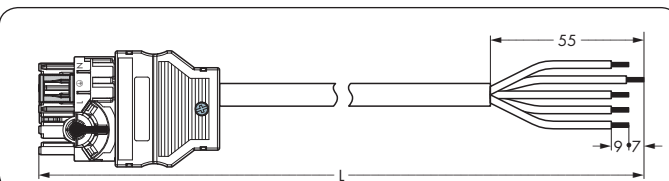

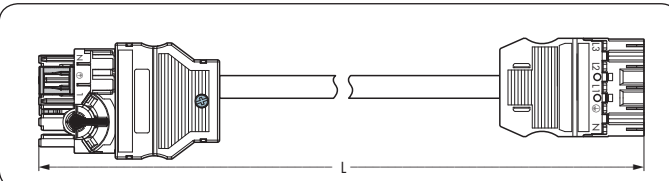




| Accessories                                                                         |       |         |     |
|-------------------------------------------------------------------------------------|-------|---------|-----|
| <b>Mounting plates</b> , for distribution connectors                                | black | 770-625 | 25  |
|                                                                                     | white | 770-675 | 25  |
| <b>Fixing pin</b> , for mounting plates, 6.1 x 2.5 - 4 mm / 0.24 x 0.098 - 0.157 in | black | 770-601 | 250 |
| <b>Lockout caps</b> , for socket, separable, 12 poles                               | black | 770-201 | 100 |
|                                                                                     | white | 770-221 | 100 |


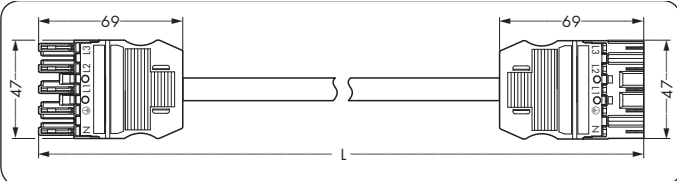

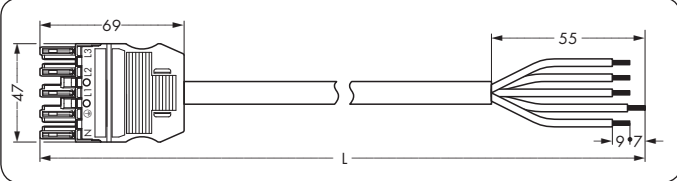

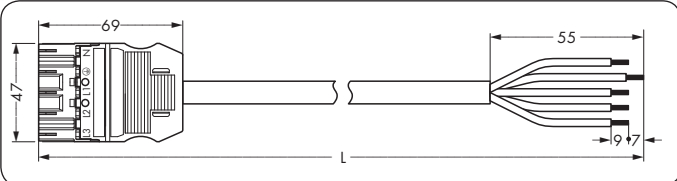
| Info | Dimensions (in mm) |
|------|--------------------|
|------|--------------------|


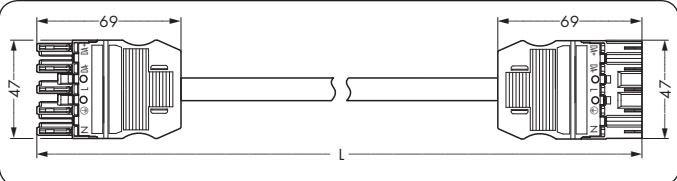

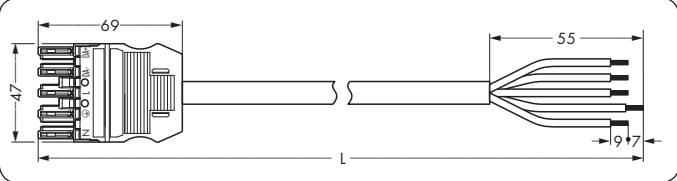
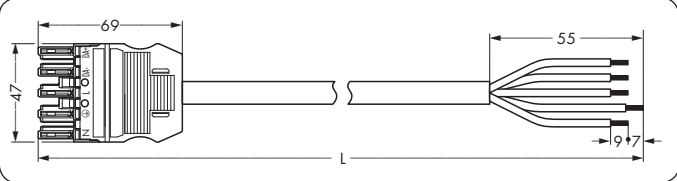
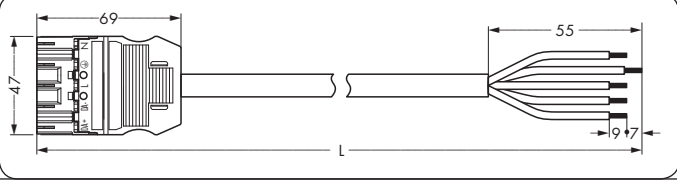

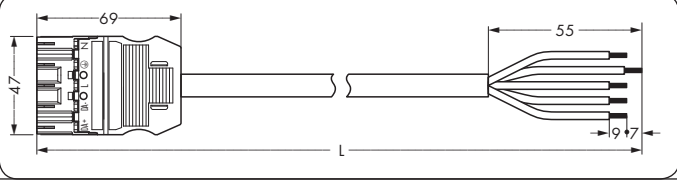

- ❶ Wire range: 0.5 - 4 mm<sup>2</sup> "s + f-st"  
0.5 - 2.5 mm<sup>2</sup> "stranded"
  - ❷ Approval data can be found in the online catalog at [www.wagocatalog.com](http://www.wagocatalog.com)
  - ❸ Marine approvals (GL, LR, NV) relate exclusively to cables approved for marine applications!
  - ❹ More strain relief housings see page 60
- black Coding A (N ⊕ L1 L2 L3)  
○ white Coding A (N ⊕ L1 L2 L3)
- Please find some information on the different codings on pages 146 and 147


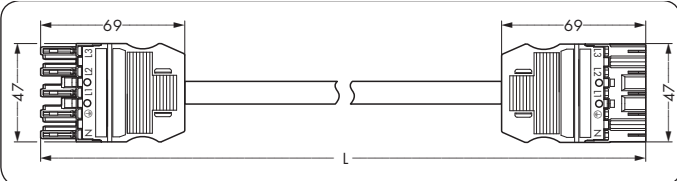

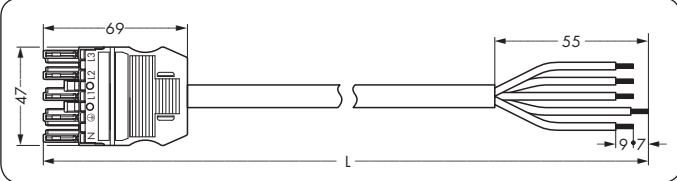

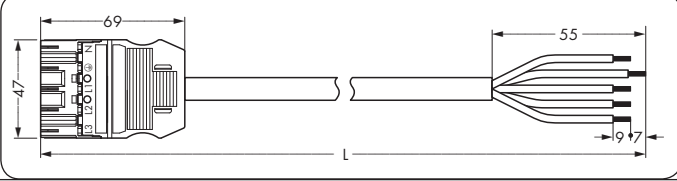



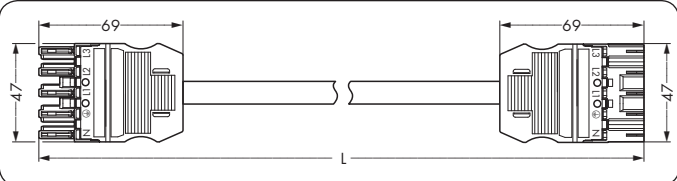

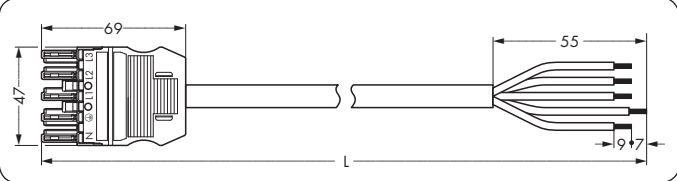

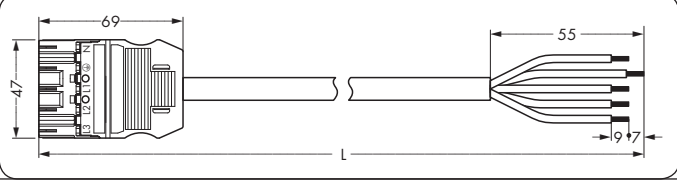



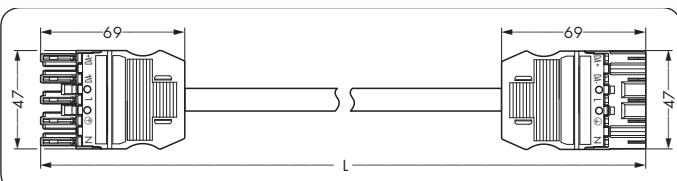

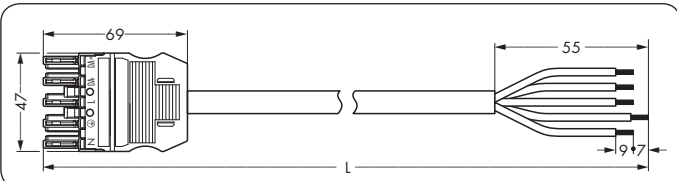

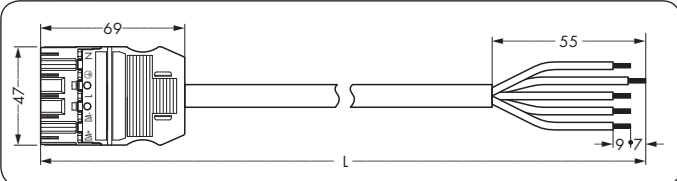
|                                                                                                                                                     |  | PVC H05VV-F 5G2.5<br>halogen-free H05Z1Z1-F 5G2.5<br>250 V/4 kV/3 20 A<br>400 V/6 kV/3 20 A<br>Wire ends bonded 9 mm/0.35 in<br>② ③ Approvals |                              |                                                                                                                                                            |                              |
|-----------------------------------------------------------------------------------------------------------------------------------------------------|--|-----------------------------------------------------------------------------------------------------------------------------------------------|------------------------------|------------------------------------------------------------------------------------------------------------------------------------------------------------|------------------------------|
| <b>Distribution connectors with phase selection - free end</b><br> |  | Length Item no.<br>black                                                                                                                      | Item no.<br>white            | Item no.<br>black                                                                                                                                          | Item no.<br>white            |
|                                                                                                                                                     |  | PVC halogen-free                                                                                                                              |                              |                                                                                                                                                            |                              |
|                                                                                                                                                     |  | 1 m                                                                                                                                           | 771-8965/107-101 .../107-102 | 771-8965/117-101 .../117-102                                                                                                                               | 771-8965/117-201 .../117-202 |
|                                                                                                                                                     |  | 2 m                                                                                                                                           | 771-8965/107-201 .../107-202 | 771-8965/117-201 .../117-202                                                                                                                               | 771-8965/117-201 .../117-202 |
|                                                                    |  |                                                                                                                                               |                              |                                                                                                                                                            |                              |
| <b>Distribution connectors with phase selection - plug</b><br>    |  | Length Item no.<br>black                                                                                                                      | Item no.<br>white            | Item no.<br>black                                                                                                                                          | Item no.<br>white            |
|                                                                                                                                                     |  | PVC halogen-free                                                                                                                              |                              |                                                                                                                                                            |                              |
|                                                                                                                                                     |  | 1 m                                                                                                                                           | 771-8965/007-101 .../007-102 | 771-8965/017-101 .../017-102                                                                                                                               | 771-8965/017-201 .../017-202 |
|                                                                                                                                                     |  | 2 m                                                                                                                                           | 771-8965/007-201 .../007-202 | 771-8965/017-201 .../017-202                                                                                                                               | 771-8965/017-201 .../017-202 |
|                                                                  |  |                                                                                                                                               |                              |                                                                                                                                                            |                              |
| <b>Lengths</b>                                                                                                                                      |  | <b>Pack.-unit</b>                                                                                                                             |                              | <b>Accessories</b>                                                                                                                                         |                              |
| 1 m                                                                                                                                                 |  | 10                                                                                                                                            |                              | Locking levers, manually operated,<br>for "flying leads"                                                                                                   |                              |
| 2 m                                                                                                                                                 |  | 10                                                                                                                                            |                              |  black <b>770-101</b> 100 (4 x 25)<br>white <b>770-121</b> 100 (4 x 25) |                              |
| Other lengths on request                                                                                                                            |  |                                                                                                                                               |                              | Locking levers, tool operated,<br>for "flying leads"                                                                                                       |                              |
|                                                                                                                                                     |  |                                                                                                                                               |                              |  black <b>770-111</b> 100 (4 x 25)<br>white <b>770-131</b> 100 (4 x 25) |                              |
|                                                                                                                                                     |  |                                                                                                                                               |                              | Lockout caps, for socket, separable, 12 poles                                                                                                              |                              |
|                                                                                                                                                     |  |                                                                                                                                               |                              |  black <b>770-201</b> 100<br>white <b>770-221</b> 100                   |                              |
|                                                                                                                                                     |  |                                                                                                                                               |                              | Coding pin, for plug                                                                                                                                       |                              |
|                                                                                                                                                     |  |                                                                                                                                               |                              |  gray <b>770-401</b> 100                                                |                              |


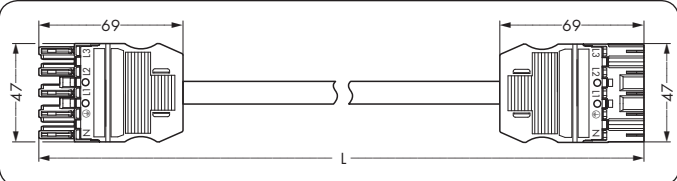

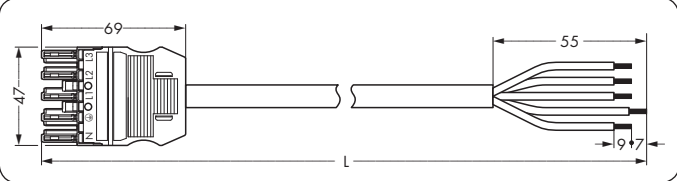

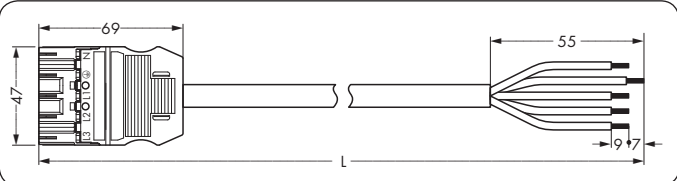
|                                                                                                                                                                                                                                                                                                                                                                |  |                                                                                                                                |                  |                |                  |                |
|----------------------------------------------------------------------------------------------------------------------------------------------------------------------------------------------------------------------------------------------------------------------------------------------------------------------------------------------------------------|--|--------------------------------------------------------------------------------------------------------------------------------|------------------|----------------|------------------|----------------|
|                                                                                                                                                                                                                                                                                                                                                                |  | PVC H05VV-F 5G1.5<br>halogen-free H05Z1Z1-F 5G1.5<br><br>400 V/6 kV/3 16 A<br><br>Wire ends bonded 9 mm/0.35 in<br>① Approvals |                  |                |                  |                |
| Interconnecting cables, socket - plug                                                                                                                                                                                                                                                                                                                          |  | Length                                                                                                                         | Item no. black   | Item no. white | Item no. black   | Item no. white |
|                                                                                                                                                                                                                                                                               |  | Coding A                                                                                                                       | ● ○              |                | PVC halogen-free |                |
|                                                                                                                                                                                                                                                                                |  | 1 m                                                                                                                            | 771-9995/006-101 | .../006-102    | 771-9995/016-101 | .../016-102    |
|                                                                                                                                                                                                                                                                                                                                                                |  | 2 m                                                                                                                            | 771-9995/006-201 | .../006-202    | 771-9995/016-201 | .../016-202    |
|                                                                                                                                                                                                                                                                                                                                                                |  | 3 m                                                                                                                            | 771-9995/006-301 | .../006-302    | 771-9995/016-301 | .../016-302    |
|                                                                                                                                                                                                                                                                                                                                                                |  | 4 m                                                                                                                            | 771-9995/006-401 | .../006-402    | 771-9995/016-401 | .../016-402    |
|                                                                                                                                                                                                                                                                                                                                                                |  | 5 m                                                                                                                            | 771-9995/006-501 | .../006-502    | 771-9995/016-501 | .../016-502    |
|                                                                                                                                                                                                                                                                                                                                                                |  | 6 m                                                                                                                            | 771-9995/006-601 | .../006-602    | 771-9995/016-601 | .../016-602    |
|                                                                                                                                                                                                                                                                                                                                                                |  | 7 m                                                                                                                            | 771-9995/006-701 | .../006-702    | 771-9995/016-701 | .../016-702    |
|                                                                                                                                                                                                                                                                                                                                                                |  | 8 m                                                                                                                            | 771-9995/006-801 | .../006-802    | 771-9995/016-801 | .../016-802    |
| Connecting cables, socket - free end                                                                                                                                                                                                                                                                                                                           |  | Length                                                                                                                         | Item no. black   | Item no. white | Item no. black   | Item no. white |
|                                                                                                                                                                                                                                                                              |  | Coding A                                                                                                                       | ● ○              |                | PVC halogen-free |                |
|                                                                                                                                                                                                                                                                              |  | 1 m                                                                                                                            | 771-9995/106-101 | .../106-102    | 771-9995/116-101 | .../116-102    |
|                                                                                                                                                                                                                                                                                                                                                                |  | 2 m                                                                                                                            | 771-9995/106-201 | .../106-202    | 771-9995/116-201 | .../116-202    |
|                                                                                                                                                                                                                                                                                                                                                                |  | 3 m                                                                                                                            | 771-9995/106-301 | .../106-302    | 771-9995/116-301 | .../116-302    |
|                                                                                                                                                                                                                                                                                                                                                                |  | 4 m                                                                                                                            | 771-9995/106-401 | .../106-402    | 771-9995/116-401 | .../116-402    |
|                                                                                                                                                                                                                                                                                                                                                                |  | 5 m                                                                                                                            | 771-9995/106-501 | .../106-502    | 771-9995/116-501 | .../116-502    |
|                                                                                                                                                                                                                                                                                                                                                                |  | 6 m                                                                                                                            | 771-9995/106-601 | .../106-602    | 771-9995/116-601 | .../116-602    |
|                                                                                                                                                                                                                                                                                                                                                                |  | 7 m                                                                                                                            | 771-9995/106-701 | .../106-702    | 771-9995/116-701 | .../116-702    |
|                                                                                                                                                                                                                                                                                                                                                                |  | 8 m                                                                                                                            | 771-9995/106-801 | .../106-802    | 771-9995/116-801 | .../116-802    |
| Connecting cables, plug - free end                                                                                                                                                                                                                                                                                                                             |  | Length                                                                                                                         | Item no. black   | Item no. white | Item no. black   | Item no. white |
|                                                                                                                                                                                                                                                                             |  | Coding A                                                                                                                       | ● ○              |                | PVC halogen-free |                |
|                                                                                                                                                                                                                                                                              |  | 1 m                                                                                                                            | 771-9995/206-101 | .../206-102    | 771-9995/216-101 | .../216-102    |
|                                                                                                                                                                                                                                                                                                                                                                |  | 2 m                                                                                                                            | 771-9995/206-201 | .../206-202    | 771-9995/216-201 | .../216-202    |
|                                                                                                                                                                                                                                                                                                                                                                |  | 3 m                                                                                                                            | 771-9995/206-301 | .../206-302    | 771-9995/216-301 | .../216-302    |
|                                                                                                                                                                                                                                                                                                                                                                |  | 4 m                                                                                                                            | 771-9995/206-401 | .../206-402    | 771-9995/216-401 | .../216-402    |
|                                                                                                                                                                                                                                                                                                                                                                |  | 5 m                                                                                                                            | 771-9995/206-501 | .../206-502    | 771-9995/216-501 | .../216-502    |
|                                                                                                                                                                                                                                                                                                                                                                |  | 6 m                                                                                                                            | 771-9995/206-601 | .../206-602    | 771-9995/216-601 | .../216-602    |
|                                                                                                                                                                                                                                                                                                                                                                |  | 7 m                                                                                                                            | 771-9995/206-701 | .../206-702    | 771-9995/216-701 | .../216-702    |
|                                                                                                                                                                                                                                                                                                                                                                |  | 8 m                                                                                                                            | 771-9995/206-801 | .../206-802    | 771-9995/216-801 | .../216-802    |
| Info                                                                                                                                                                                                                                                                                                                                                           |  | Locking levers, manually operated,<br>for "flying leads"<br>black 770-101 100 (4 x 25)<br>white 770-121 100 (4 x 25)           |                  |                |                  |                |
| ① Approval data can be found in the online catalog at <a href="http://www.wagocatalog.com">www.wagocatalog.com</a><br>Marine approvals (GL, LR, NV) relate exclusively to cables approved for marine applications!<br><br>Other cables on request<br><br>● black Coding A (N ⊕ L1 L2 L3)<br>○ white Coding A (N ⊕ L1 L2 L3)<br>● blue Coding I (N ⊕ L DA- DA+) |  | Locking levers, tool operated,<br>for "flying leads"<br>black 770-111 100 (4 x 25)<br>white 770-131 100 (4 x 25)               |                  |                |                  |                |
| Please find some information on the different codings on pages 146 and 147                                                                                                                                                                                                                                                                                     |  | Lockout caps, for socket, separable, 12 poles<br>black 770-201 100<br>white 770-221 100                                        |                  |                |                  |                |
|                                                                                                                                                                                                                                                                                                                                                                |  | Coding pin, for plug<br>gray 770-401 100                                                                                       |                  |                |                  |                |

|                                                                                     |                   | PVC                                                                                                  | H05VV-F 5G1.5                     |
|-------------------------------------------------------------------------------------|-------------------|------------------------------------------------------------------------------------------------------|-----------------------------------|
|                                                                                     |                   | halogen-free                                                                                         | H05Z1Z1-F 5G1.5                   |
|                                                                                     |                   | 400 V/6 kV/3 16 A                                                                                    |                                   |
|                                                                                     |                   | Wire ends bonded 9 mm/0.35 in                                                                        |                                   |
|                                                                                     |                   | ① Approvals                                                                                          |                                   |
| <b>Interconnecting cables, socket - plug</b>                                        |                   | <b>Length</b>                                                                                        | <b>Item no. black</b>             |
|    |                   | <b>Item no. black</b>                                                                                |                                   |
|    |                   | <b>Coding I,</b>    | e.g., for dimming function (DALI) |
|                                                                                     |                   | <b>PVC</b>                                                                                           | <b>halogen-free</b>               |
|                                                                                     |                   | 1 m                                                                                                  | 771-9985/006-101                  |
|                                                                                     |                   | 2 m                                                                                                  | 771-9985/006-201                  |
|                                                                                     |                   | 3 m                                                                                                  | 771-9985/006-301                  |
|                                                                                     |                   | 4 m                                                                                                  | 771-9985/006-401                  |
|                                                                                     |                   | 5 m                                                                                                  | 771-9985/006-501                  |
|                                                                                     |                   | 6 m                                                                                                  | 771-9985/006-601                  |
|                                                                                     |                   | 7 m                                                                                                  | 771-9985/006-701                  |
|                                                                                     |                   | 8 m                                                                                                  | 771-9985/006-801                  |
| <b>Connecting cables, socket - free end</b>                                         |                   | <b>Length</b>                                                                                        | <b>Item no. black</b>             |
|   |                   | <b>Item no. black</b>                                                                                |                                   |
|  |                   | <b>Coding I,</b>    | e.g., for dimming function (DALI) |
|                                                                                     |                   | <b>PVC</b>                                                                                           | <b>halogen-free</b>               |
|                                                                                     |                   | 1 m                                                                                                  | 771-9985/106-101                  |
|                                                                                     |                   | 2 m                                                                                                  | 771-9985/106-201                  |
|                                                                                     |                   | 3 m                                                                                                  | 771-9985/106-301                  |
|                                                                                     |                   | 4 m                                                                                                  | 771-9985/106-401                  |
|                                                                                     |                   | 5 m                                                                                                  | 771-9985/106-501                  |
|                                                                                     |                   | 6 m                                                                                                  | 771-9985/106-601                  |
|                                                                                     |                   | 7 m                                                                                                  | 771-9985/106-701                  |
|                                                                                     |                   | 8 m                                                                                                  | 771-9985/106-801                  |
| <b>Connecting cables, plug - free end</b>                                           |                   | <b>Length</b>                                                                                        | <b>Item no. black</b>             |
|  |                   | <b>Item no. black</b>                                                                                |                                   |
|  |                   | <b>Coding I,</b>  | e.g., for dimming function (DALI) |
|                                                                                     |                   | <b>PVC</b>                                                                                           | <b>halogen-free</b>               |
|                                                                                     |                   | 1 m                                                                                                  | 771-9985/206-101                  |
|                                                                                     |                   | 2 m                                                                                                  | 771-9985/206-201                  |
|                                                                                     |                   | 3 m                                                                                                  | 771-9985/206-301                  |
|                                                                                     |                   | 4 m                                                                                                  | 771-9985/206-401                  |
|                                                                                     |                   | 5 m                                                                                                  | 771-9985/206-501                  |
|                                                                                     |                   | 6 m                                                                                                  | 771-9985/206-601                  |
|                                                                                     |                   | 7 m                                                                                                  | 771-9985/206-701                  |
|                                                                                     |                   | 8 m                                                                                                  | 771-9985/206-801                  |
| <b>Lengths</b>                                                                      | <b>Pack.-unit</b> | <b>Accessories</b>                                                                                   |                                   |
| 1 m                                                                                 | 50                | <b>Locking levers, manually operated,</b>                                                            |                                   |
| 2, 3, 4 m                                                                           | 25                | for "flying leads"                                                                                   |                                   |
| 5, 6 m                                                                              | 15                | black                                                                                                | 770-101 100 (4 x 25)              |
| 7, 8 m                                                                              | 10                | white                                                                                                | 770-121 100 (4 x 25)              |
| Other lengths on request                                                            |                   | <b>Locking levers, tool operated,</b>                                                                |                                   |
|                                                                                     |                   | for "flying leads"                                                                                   |                                   |
|                                                                                     |                   | black                                                                                                | 770-111 100 (4 x 25)              |
|                                                                                     |                   | white                                                                                                | 770-131 100 (4 x 25)              |
|                                                                                     |                   | <b>Lockout caps, for socket, separable, 12 poles</b>                                                 |                                   |
|                                                                                     |                   | black                                                                                                | 770-201 100                       |
|                                                                                     |                   | white                                                                                                | 770-221 100                       |
|                                                                                     |                   | <b>Coding pin, for plug</b>                                                                          |                                   |
|                                                                                     |                   | gray                                                                                                 | 770-401 100                       |

|                                                                                                                                                                                                                                                                                                                                                                                                                                                                                                                                                                                                             |                                                                                                                                                                                                                                                                                                                                                                                                                                                                                                                                                                                                                                                                                                                                                                                                                                                                               | <p>PVC H05VV-F 5G1.5<br/>halogen-free H05Z1Z1-F 5G1.5</p> <p>400 V/6 kV/3 16 A</p> <p>Wire ends bonded 9 mm/0.35 in</p> <p>① Approvals</p> |                |                |            |                |       |          |                |                                                                                                                                                                                                                                                                                                                                                                                                                                                                                                                                                                                                                                                                                                                                                                                      |       |                  |                  |       |                  |                  |       |                  |                  |       |                  |                  |       |                  |                  |       |                  |                  |      |                  |                  |     |                  |                  |
|-------------------------------------------------------------------------------------------------------------------------------------------------------------------------------------------------------------------------------------------------------------------------------------------------------------------------------------------------------------------------------------------------------------------------------------------------------------------------------------------------------------------------------------------------------------------------------------------------------------|-------------------------------------------------------------------------------------------------------------------------------------------------------------------------------------------------------------------------------------------------------------------------------------------------------------------------------------------------------------------------------------------------------------------------------------------------------------------------------------------------------------------------------------------------------------------------------------------------------------------------------------------------------------------------------------------------------------------------------------------------------------------------------------------------------------------------------------------------------------------------------|--------------------------------------------------------------------------------------------------------------------------------------------|----------------|----------------|------------|----------------|-------|----------|----------------|--------------------------------------------------------------------------------------------------------------------------------------------------------------------------------------------------------------------------------------------------------------------------------------------------------------------------------------------------------------------------------------------------------------------------------------------------------------------------------------------------------------------------------------------------------------------------------------------------------------------------------------------------------------------------------------------------------------------------------------------------------------------------------------|-------|------------------|------------------|-------|------------------|------------------|-------|------------------|------------------|-------|------------------|------------------|-------|------------------|------------------|-------|------------------|------------------|------|------------------|------------------|-----|------------------|------------------|
| <p>Interconnecting cables, socket - plug</p>                                                                                                                                                                                                                                                                                                                                                                                               | <table border="1"> <thead> <tr> <th>Length</th> <th>Item no. black</th> <th>Item no. black</th> </tr> </thead> <tbody> <tr> <td colspan="3">Coding P ●</td> </tr> <tr> <td colspan="2">PVC</td> <td>halogen-free</td> </tr> <tr> <td>1 m</td> <td>771-9975/006-101</td> <td>771-9975/016-101</td> </tr> <tr> <td>2 m</td> <td>771-9975/006-201</td> <td>771-9975/016-201</td> </tr> <tr> <td>3 m</td> <td>771-9975/006-301</td> <td>771-9975/016-301</td> </tr> <tr> <td>4 m</td> <td>771-9975/006-401</td> <td>771-9975/016-401</td> </tr> <tr> <td>5 m</td> <td>771-9975/006-501</td> <td>771-9975/016-501</td> </tr> <tr> <td>6 m</td> <td>771-9975/006-601</td> <td>771-9975/016-601</td> </tr> <tr> <td>7 m</td> <td>771-9975/006-701</td> <td>771-9975/016-701</td> </tr> <tr> <td>8 m</td> <td>771-9975/006-801</td> <td>771-9975/016-801</td> </tr> </tbody> </table> | Length                                                                                                                                     | Item no. black | Item no. black | Coding P ● |                |       | PVC      |                | halogen-free                                                                                                                                                                                                                                                                                                                                                                                                                                                                                                                                                                                                                                                                                                                                                                         | 1 m   | 771-9975/006-101 | 771-9975/016-101 | 2 m   | 771-9975/006-201 | 771-9975/016-201 | 3 m   | 771-9975/006-301 | 771-9975/016-301 | 4 m   | 771-9975/006-401 | 771-9975/016-401 | 5 m   | 771-9975/006-501 | 771-9975/016-501 | 6 m   | 771-9975/006-601 | 771-9975/016-601 | 7 m  | 771-9975/006-701 | 771-9975/016-701 | 8 m | 771-9975/006-801 | 771-9975/016-801 |
| Length                                                                                                                                                                                                                                                                                                                                                                                                                                                                                                                                                                                                      | Item no. black                                                                                                                                                                                                                                                                                                                                                                                                                                                                                                                                                                                                                                                                                                                                                                                                                                                                | Item no. black                                                                                                                             |                |                |            |                |       |          |                |                                                                                                                                                                                                                                                                                                                                                                                                                                                                                                                                                                                                                                                                                                                                                                                      |       |                  |                  |       |                  |                  |       |                  |                  |       |                  |                  |       |                  |                  |       |                  |                  |      |                  |                  |     |                  |                  |
| Coding P ●                                                                                                                                                                                                                                                                                                                                                                                                                                                                                                                                                                                                  |                                                                                                                                                                                                                                                                                                                                                                                                                                                                                                                                                                                                                                                                                                                                                                                                                                                                               |                                                                                                                                            |                |                |            |                |       |          |                |                                                                                                                                                                                                                                                                                                                                                                                                                                                                                                                                                                                                                                                                                                                                                                                      |       |                  |                  |       |                  |                  |       |                  |                  |       |                  |                  |       |                  |                  |       |                  |                  |      |                  |                  |     |                  |                  |
| PVC                                                                                                                                                                                                                                                                                                                                                                                                                                                                                                                                                                                                         |                                                                                                                                                                                                                                                                                                                                                                                                                                                                                                                                                                                                                                                                                                                                                                                                                                                                               | halogen-free                                                                                                                               |                |                |            |                |       |          |                |                                                                                                                                                                                                                                                                                                                                                                                                                                                                                                                                                                                                                                                                                                                                                                                      |       |                  |                  |       |                  |                  |       |                  |                  |       |                  |                  |       |                  |                  |       |                  |                  |      |                  |                  |     |                  |                  |
| 1 m                                                                                                                                                                                                                                                                                                                                                                                                                                                                                                                                                                                                         | 771-9975/006-101                                                                                                                                                                                                                                                                                                                                                                                                                                                                                                                                                                                                                                                                                                                                                                                                                                                              | 771-9975/016-101                                                                                                                           |                |                |            |                |       |          |                |                                                                                                                                                                                                                                                                                                                                                                                                                                                                                                                                                                                                                                                                                                                                                                                      |       |                  |                  |       |                  |                  |       |                  |                  |       |                  |                  |       |                  |                  |       |                  |                  |      |                  |                  |     |                  |                  |
| 2 m                                                                                                                                                                                                                                                                                                                                                                                                                                                                                                                                                                                                         | 771-9975/006-201                                                                                                                                                                                                                                                                                                                                                                                                                                                                                                                                                                                                                                                                                                                                                                                                                                                              | 771-9975/016-201                                                                                                                           |                |                |            |                |       |          |                |                                                                                                                                                                                                                                                                                                                                                                                                                                                                                                                                                                                                                                                                                                                                                                                      |       |                  |                  |       |                  |                  |       |                  |                  |       |                  |                  |       |                  |                  |       |                  |                  |      |                  |                  |     |                  |                  |
| 3 m                                                                                                                                                                                                                                                                                                                                                                                                                                                                                                                                                                                                         | 771-9975/006-301                                                                                                                                                                                                                                                                                                                                                                                                                                                                                                                                                                                                                                                                                                                                                                                                                                                              | 771-9975/016-301                                                                                                                           |                |                |            |                |       |          |                |                                                                                                                                                                                                                                                                                                                                                                                                                                                                                                                                                                                                                                                                                                                                                                                      |       |                  |                  |       |                  |                  |       |                  |                  |       |                  |                  |       |                  |                  |       |                  |                  |      |                  |                  |     |                  |                  |
| 4 m                                                                                                                                                                                                                                                                                                                                                                                                                                                                                                                                                                                                         | 771-9975/006-401                                                                                                                                                                                                                                                                                                                                                                                                                                                                                                                                                                                                                                                                                                                                                                                                                                                              | 771-9975/016-401                                                                                                                           |                |                |            |                |       |          |                |                                                                                                                                                                                                                                                                                                                                                                                                                                                                                                                                                                                                                                                                                                                                                                                      |       |                  |                  |       |                  |                  |       |                  |                  |       |                  |                  |       |                  |                  |       |                  |                  |      |                  |                  |     |                  |                  |
| 5 m                                                                                                                                                                                                                                                                                                                                                                                                                                                                                                                                                                                                         | 771-9975/006-501                                                                                                                                                                                                                                                                                                                                                                                                                                                                                                                                                                                                                                                                                                                                                                                                                                                              | 771-9975/016-501                                                                                                                           |                |                |            |                |       |          |                |                                                                                                                                                                                                                                                                                                                                                                                                                                                                                                                                                                                                                                                                                                                                                                                      |       |                  |                  |       |                  |                  |       |                  |                  |       |                  |                  |       |                  |                  |       |                  |                  |      |                  |                  |     |                  |                  |
| 6 m                                                                                                                                                                                                                                                                                                                                                                                                                                                                                                                                                                                                         | 771-9975/006-601                                                                                                                                                                                                                                                                                                                                                                                                                                                                                                                                                                                                                                                                                                                                                                                                                                                              | 771-9975/016-601                                                                                                                           |                |                |            |                |       |          |                |                                                                                                                                                                                                                                                                                                                                                                                                                                                                                                                                                                                                                                                                                                                                                                                      |       |                  |                  |       |                  |                  |       |                  |                  |       |                  |                  |       |                  |                  |       |                  |                  |      |                  |                  |     |                  |                  |
| 7 m                                                                                                                                                                                                                                                                                                                                                                                                                                                                                                                                                                                                         | 771-9975/006-701                                                                                                                                                                                                                                                                                                                                                                                                                                                                                                                                                                                                                                                                                                                                                                                                                                                              | 771-9975/016-701                                                                                                                           |                |                |            |                |       |          |                |                                                                                                                                                                                                                                                                                                                                                                                                                                                                                                                                                                                                                                                                                                                                                                                      |       |                  |                  |       |                  |                  |       |                  |                  |       |                  |                  |       |                  |                  |       |                  |                  |      |                  |                  |     |                  |                  |
| 8 m                                                                                                                                                                                                                                                                                                                                                                                                                                                                                                                                                                                                         | 771-9975/006-801                                                                                                                                                                                                                                                                                                                                                                                                                                                                                                                                                                                                                                                                                                                                                                                                                                                              | 771-9975/016-801                                                                                                                           |                |                |            |                |       |          |                |                                                                                                                                                                                                                                                                                                                                                                                                                                                                                                                                                                                                                                                                                                                                                                                      |       |                  |                  |       |                  |                  |       |                  |                  |       |                  |                  |       |                  |                  |       |                  |                  |      |                  |                  |     |                  |                  |
| <p>Connecting cables, socket - free end</p>                                                                                                                                                                                                                                                                                                                                                                                             | <table border="1"> <thead> <tr> <th>Length</th> <th>Item no. black</th> <th>Item no. black</th> </tr> </thead> <tbody> <tr> <td colspan="3">Coding P ●</td> </tr> <tr> <td colspan="2">PVC</td> <td>halogen-free</td> </tr> <tr> <td>1 m</td> <td>771-9975/106-101</td> <td>771-9975/116-101</td> </tr> <tr> <td>2 m</td> <td>771-9975/106-201</td> <td>771-9975/116-201</td> </tr> <tr> <td>3 m</td> <td>771-9975/106-301</td> <td>771-9975/116-301</td> </tr> <tr> <td>4 m</td> <td>771-9975/106-401</td> <td>771-9975/116-401</td> </tr> <tr> <td>5 m</td> <td>771-9975/106-501</td> <td>771-9975/116-501</td> </tr> <tr> <td>6 m</td> <td>771-9975/106-601</td> <td>771-9975/116-601</td> </tr> <tr> <td>7 m</td> <td>771-9975/106-701</td> <td>771-9975/116-701</td> </tr> <tr> <td>8 m</td> <td>771-9975/106-801</td> <td>771-9975/116-801</td> </tr> </tbody> </table> | Length                                                                                                                                     | Item no. black | Item no. black | Coding P ● |                |       | PVC      |                | halogen-free                                                                                                                                                                                                                                                                                                                                                                                                                                                                                                                                                                                                                                                                                                                                                                         | 1 m   | 771-9975/106-101 | 771-9975/116-101 | 2 m   | 771-9975/106-201 | 771-9975/116-201 | 3 m   | 771-9975/106-301 | 771-9975/116-301 | 4 m   | 771-9975/106-401 | 771-9975/116-401 | 5 m   | 771-9975/106-501 | 771-9975/116-501 | 6 m   | 771-9975/106-601 | 771-9975/116-601 | 7 m  | 771-9975/106-701 | 771-9975/116-701 | 8 m | 771-9975/106-801 | 771-9975/116-801 |
| Length                                                                                                                                                                                                                                                                                                                                                                                                                                                                                                                                                                                                      | Item no. black                                                                                                                                                                                                                                                                                                                                                                                                                                                                                                                                                                                                                                                                                                                                                                                                                                                                | Item no. black                                                                                                                             |                |                |            |                |       |          |                |                                                                                                                                                                                                                                                                                                                                                                                                                                                                                                                                                                                                                                                                                                                                                                                      |       |                  |                  |       |                  |                  |       |                  |                  |       |                  |                  |       |                  |                  |       |                  |                  |      |                  |                  |     |                  |                  |
| Coding P ●                                                                                                                                                                                                                                                                                                                                                                                                                                                                                                                                                                                                  |                                                                                                                                                                                                                                                                                                                                                                                                                                                                                                                                                                                                                                                                                                                                                                                                                                                                               |                                                                                                                                            |                |                |            |                |       |          |                |                                                                                                                                                                                                                                                                                                                                                                                                                                                                                                                                                                                                                                                                                                                                                                                      |       |                  |                  |       |                  |                  |       |                  |                  |       |                  |                  |       |                  |                  |       |                  |                  |      |                  |                  |     |                  |                  |
| PVC                                                                                                                                                                                                                                                                                                                                                                                                                                                                                                                                                                                                         |                                                                                                                                                                                                                                                                                                                                                                                                                                                                                                                                                                                                                                                                                                                                                                                                                                                                               | halogen-free                                                                                                                               |                |                |            |                |       |          |                |                                                                                                                                                                                                                                                                                                                                                                                                                                                                                                                                                                                                                                                                                                                                                                                      |       |                  |                  |       |                  |                  |       |                  |                  |       |                  |                  |       |                  |                  |       |                  |                  |      |                  |                  |     |                  |                  |
| 1 m                                                                                                                                                                                                                                                                                                                                                                                                                                                                                                                                                                                                         | 771-9975/106-101                                                                                                                                                                                                                                                                                                                                                                                                                                                                                                                                                                                                                                                                                                                                                                                                                                                              | 771-9975/116-101                                                                                                                           |                |                |            |                |       |          |                |                                                                                                                                                                                                                                                                                                                                                                                                                                                                                                                                                                                                                                                                                                                                                                                      |       |                  |                  |       |                  |                  |       |                  |                  |       |                  |                  |       |                  |                  |       |                  |                  |      |                  |                  |     |                  |                  |
| 2 m                                                                                                                                                                                                                                                                                                                                                                                                                                                                                                                                                                                                         | 771-9975/106-201                                                                                                                                                                                                                                                                                                                                                                                                                                                                                                                                                                                                                                                                                                                                                                                                                                                              | 771-9975/116-201                                                                                                                           |                |                |            |                |       |          |                |                                                                                                                                                                                                                                                                                                                                                                                                                                                                                                                                                                                                                                                                                                                                                                                      |       |                  |                  |       |                  |                  |       |                  |                  |       |                  |                  |       |                  |                  |       |                  |                  |      |                  |                  |     |                  |                  |
| 3 m                                                                                                                                                                                                                                                                                                                                                                                                                                                                                                                                                                                                         | 771-9975/106-301                                                                                                                                                                                                                                                                                                                                                                                                                                                                                                                                                                                                                                                                                                                                                                                                                                                              | 771-9975/116-301                                                                                                                           |                |                |            |                |       |          |                |                                                                                                                                                                                                                                                                                                                                                                                                                                                                                                                                                                                                                                                                                                                                                                                      |       |                  |                  |       |                  |                  |       |                  |                  |       |                  |                  |       |                  |                  |       |                  |                  |      |                  |                  |     |                  |                  |
| 4 m                                                                                                                                                                                                                                                                                                                                                                                                                                                                                                                                                                                                         | 771-9975/106-401                                                                                                                                                                                                                                                                                                                                                                                                                                                                                                                                                                                                                                                                                                                                                                                                                                                              | 771-9975/116-401                                                                                                                           |                |                |            |                |       |          |                |                                                                                                                                                                                                                                                                                                                                                                                                                                                                                                                                                                                                                                                                                                                                                                                      |       |                  |                  |       |                  |                  |       |                  |                  |       |                  |                  |       |                  |                  |       |                  |                  |      |                  |                  |     |                  |                  |
| 5 m                                                                                                                                                                                                                                                                                                                                                                                                                                                                                                                                                                                                         | 771-9975/106-501                                                                                                                                                                                                                                                                                                                                                                                                                                                                                                                                                                                                                                                                                                                                                                                                                                                              | 771-9975/116-501                                                                                                                           |                |                |            |                |       |          |                |                                                                                                                                                                                                                                                                                                                                                                                                                                                                                                                                                                                                                                                                                                                                                                                      |       |                  |                  |       |                  |                  |       |                  |                  |       |                  |                  |       |                  |                  |       |                  |                  |      |                  |                  |     |                  |                  |
| 6 m                                                                                                                                                                                                                                                                                                                                                                                                                                                                                                                                                                                                         | 771-9975/106-601                                                                                                                                                                                                                                                                                                                                                                                                                                                                                                                                                                                                                                                                                                                                                                                                                                                              | 771-9975/116-601                                                                                                                           |                |                |            |                |       |          |                |                                                                                                                                                                                                                                                                                                                                                                                                                                                                                                                                                                                                                                                                                                                                                                                      |       |                  |                  |       |                  |                  |       |                  |                  |       |                  |                  |       |                  |                  |       |                  |                  |      |                  |                  |     |                  |                  |
| 7 m                                                                                                                                                                                                                                                                                                                                                                                                                                                                                                                                                                                                         | 771-9975/106-701                                                                                                                                                                                                                                                                                                                                                                                                                                                                                                                                                                                                                                                                                                                                                                                                                                                              | 771-9975/116-701                                                                                                                           |                |                |            |                |       |          |                |                                                                                                                                                                                                                                                                                                                                                                                                                                                                                                                                                                                                                                                                                                                                                                                      |       |                  |                  |       |                  |                  |       |                  |                  |       |                  |                  |       |                  |                  |       |                  |                  |      |                  |                  |     |                  |                  |
| 8 m                                                                                                                                                                                                                                                                                                                                                                                                                                                                                                                                                                                                         | 771-9975/106-801                                                                                                                                                                                                                                                                                                                                                                                                                                                                                                                                                                                                                                                                                                                                                                                                                                                              | 771-9975/116-801                                                                                                                           |                |                |            |                |       |          |                |                                                                                                                                                                                                                                                                                                                                                                                                                                                                                                                                                                                                                                                                                                                                                                                      |       |                  |                  |       |                  |                  |       |                  |                  |       |                  |                  |       |                  |                  |       |                  |                  |      |                  |                  |     |                  |                  |
| <p>Connecting cables, plug - free end</p>                                                                                                                                                                                                                                                                                                                                                                                              | <table border="1"> <thead> <tr> <th>Length</th> <th>Item no. black</th> <th>Item no. black</th> </tr> </thead> <tbody> <tr> <td colspan="3">Coding P ●</td> </tr> <tr> <td colspan="2">PVC</td> <td>halogen-free</td> </tr> <tr> <td>1 m</td> <td>771-9975/206-101</td> <td>771-9975/216-101</td> </tr> <tr> <td>2 m</td> <td>771-9975/206-201</td> <td>771-9975/216-201</td> </tr> <tr> <td>3 m</td> <td>771-9975/206-301</td> <td>771-9975/216-301</td> </tr> <tr> <td>4 m</td> <td>771-9975/206-401</td> <td>771-9975/216-401</td> </tr> <tr> <td>5 m</td> <td>771-9975/206-501</td> <td>771-9975/216-501</td> </tr> <tr> <td>6 m</td> <td>771-9975/206-601</td> <td>771-9975/216-601</td> </tr> <tr> <td>7 m</td> <td>771-9975/206-701</td> <td>771-9975/216-701</td> </tr> <tr> <td>8 m</td> <td>771-9975/206-801</td> <td>771-9975/216-801</td> </tr> </tbody> </table> | Length                                                                                                                                     | Item no. black | Item no. black | Coding P ● |                |       | PVC      |                | halogen-free                                                                                                                                                                                                                                                                                                                                                                                                                                                                                                                                                                                                                                                                                                                                                                         | 1 m   | 771-9975/206-101 | 771-9975/216-101 | 2 m   | 771-9975/206-201 | 771-9975/216-201 | 3 m   | 771-9975/206-301 | 771-9975/216-301 | 4 m   | 771-9975/206-401 | 771-9975/216-401 | 5 m   | 771-9975/206-501 | 771-9975/216-501 | 6 m   | 771-9975/206-601 | 771-9975/216-601 | 7 m  | 771-9975/206-701 | 771-9975/216-701 | 8 m | 771-9975/206-801 | 771-9975/216-801 |
| Length                                                                                                                                                                                                                                                                                                                                                                                                                                                                                                                                                                                                      | Item no. black                                                                                                                                                                                                                                                                                                                                                                                                                                                                                                                                                                                                                                                                                                                                                                                                                                                                | Item no. black                                                                                                                             |                |                |            |                |       |          |                |                                                                                                                                                                                                                                                                                                                                                                                                                                                                                                                                                                                                                                                                                                                                                                                      |       |                  |                  |       |                  |                  |       |                  |                  |       |                  |                  |       |                  |                  |       |                  |                  |      |                  |                  |     |                  |                  |
| Coding P ●                                                                                                                                                                                                                                                                                                                                                                                                                                                                                                                                                                                                  |                                                                                                                                                                                                                                                                                                                                                                                                                                                                                                                                                                                                                                                                                                                                                                                                                                                                               |                                                                                                                                            |                |                |            |                |       |          |                |                                                                                                                                                                                                                                                                                                                                                                                                                                                                                                                                                                                                                                                                                                                                                                                      |       |                  |                  |       |                  |                  |       |                  |                  |       |                  |                  |       |                  |                  |       |                  |                  |      |                  |                  |     |                  |                  |
| PVC                                                                                                                                                                                                                                                                                                                                                                                                                                                                                                                                                                                                         |                                                                                                                                                                                                                                                                                                                                                                                                                                                                                                                                                                                                                                                                                                                                                                                                                                                                               | halogen-free                                                                                                                               |                |                |            |                |       |          |                |                                                                                                                                                                                                                                                                                                                                                                                                                                                                                                                                                                                                                                                                                                                                                                                      |       |                  |                  |       |                  |                  |       |                  |                  |       |                  |                  |       |                  |                  |       |                  |                  |      |                  |                  |     |                  |                  |
| 1 m                                                                                                                                                                                                                                                                                                                                                                                                                                                                                                                                                                                                         | 771-9975/206-101                                                                                                                                                                                                                                                                                                                                                                                                                                                                                                                                                                                                                                                                                                                                                                                                                                                              | 771-9975/216-101                                                                                                                           |                |                |            |                |       |          |                |                                                                                                                                                                                                                                                                                                                                                                                                                                                                                                                                                                                                                                                                                                                                                                                      |       |                  |                  |       |                  |                  |       |                  |                  |       |                  |                  |       |                  |                  |       |                  |                  |      |                  |                  |     |                  |                  |
| 2 m                                                                                                                                                                                                                                                                                                                                                                                                                                                                                                                                                                                                         | 771-9975/206-201                                                                                                                                                                                                                                                                                                                                                                                                                                                                                                                                                                                                                                                                                                                                                                                                                                                              | 771-9975/216-201                                                                                                                           |                |                |            |                |       |          |                |                                                                                                                                                                                                                                                                                                                                                                                                                                                                                                                                                                                                                                                                                                                                                                                      |       |                  |                  |       |                  |                  |       |                  |                  |       |                  |                  |       |                  |                  |       |                  |                  |      |                  |                  |     |                  |                  |
| 3 m                                                                                                                                                                                                                                                                                                                                                                                                                                                                                                                                                                                                         | 771-9975/206-301                                                                                                                                                                                                                                                                                                                                                                                                                                                                                                                                                                                                                                                                                                                                                                                                                                                              | 771-9975/216-301                                                                                                                           |                |                |            |                |       |          |                |                                                                                                                                                                                                                                                                                                                                                                                                                                                                                                                                                                                                                                                                                                                                                                                      |       |                  |                  |       |                  |                  |       |                  |                  |       |                  |                  |       |                  |                  |       |                  |                  |      |                  |                  |     |                  |                  |
| 4 m                                                                                                                                                                                                                                                                                                                                                                                                                                                                                                                                                                                                         | 771-9975/206-401                                                                                                                                                                                                                                                                                                                                                                                                                                                                                                                                                                                                                                                                                                                                                                                                                                                              | 771-9975/216-401                                                                                                                           |                |                |            |                |       |          |                |                                                                                                                                                                                                                                                                                                                                                                                                                                                                                                                                                                                                                                                                                                                                                                                      |       |                  |                  |       |                  |                  |       |                  |                  |       |                  |                  |       |                  |                  |       |                  |                  |      |                  |                  |     |                  |                  |
| 5 m                                                                                                                                                                                                                                                                                                                                                                                                                                                                                                                                                                                                         | 771-9975/206-501                                                                                                                                                                                                                                                                                                                                                                                                                                                                                                                                                                                                                                                                                                                                                                                                                                                              | 771-9975/216-501                                                                                                                           |                |                |            |                |       |          |                |                                                                                                                                                                                                                                                                                                                                                                                                                                                                                                                                                                                                                                                                                                                                                                                      |       |                  |                  |       |                  |                  |       |                  |                  |       |                  |                  |       |                  |                  |       |                  |                  |      |                  |                  |     |                  |                  |
| 6 m                                                                                                                                                                                                                                                                                                                                                                                                                                                                                                                                                                                                         | 771-9975/206-601                                                                                                                                                                                                                                                                                                                                                                                                                                                                                                                                                                                                                                                                                                                                                                                                                                                              | 771-9975/216-601                                                                                                                           |                |                |            |                |       |          |                |                                                                                                                                                                                                                                                                                                                                                                                                                                                                                                                                                                                                                                                                                                                                                                                      |       |                  |                  |       |                  |                  |       |                  |                  |       |                  |                  |       |                  |                  |       |                  |                  |      |                  |                  |     |                  |                  |
| 7 m                                                                                                                                                                                                                                                                                                                                                                                                                                                                                                                                                                                                         | 771-9975/206-701                                                                                                                                                                                                                                                                                                                                                                                                                                                                                                                                                                                                                                                                                                                                                                                                                                                              | 771-9975/216-701                                                                                                                           |                |                |            |                |       |          |                |                                                                                                                                                                                                                                                                                                                                                                                                                                                                                                                                                                                                                                                                                                                                                                                      |       |                  |                  |       |                  |                  |       |                  |                  |       |                  |                  |       |                  |                  |       |                  |                  |      |                  |                  |     |                  |                  |
| 8 m                                                                                                                                                                                                                                                                                                                                                                                                                                                                                                                                                                                                         | 771-9975/206-801                                                                                                                                                                                                                                                                                                                                                                                                                                                                                                                                                                                                                                                                                                                                                                                                                                                              | 771-9975/216-801                                                                                                                           |                |                |            |                |       |          |                |                                                                                                                                                                                                                                                                                                                                                                                                                                                                                                                                                                                                                                                                                                                                                                                      |       |                  |                  |       |                  |                  |       |                  |                  |       |                  |                  |       |                  |                  |       |                  |                  |      |                  |                  |     |                  |                  |
| <p>Info</p> <div style="border: 2px solid green; padding: 10px; margin-top: 10px;"> <p>① Approval data can be found in the online catalog at <a href="http://www.wagocatalog.com">www.wagocatalog.com</a></p> <p>Other cables on request</p> <table border="0" style="margin-top: 10px;"> <tr> <td>● black</td> <td>Coding A</td> <td>(N ⊕ L1 L2 L3)</td> </tr> <tr> <td>○ white</td> <td>Coding A</td> <td>(N ⊕ L1 L2 L3)</td> </tr> <tr> <td>● red</td> <td>Coding P</td> <td>(N ⊕ L1 L2 L3)</td> </tr> </table> <p>Please find some information on the different codings on pages 146 and 147</p> </div> | ● black                                                                                                                                                                                                                                                                                                                                                                                                                                                                                                                                                                                                                                                                                                                                                                                                                                                                       | Coding A                                                                                                                                   | (N ⊕ L1 L2 L3) | ○ white        | Coding A   | (N ⊕ L1 L2 L3) | ● red | Coding P | (N ⊕ L1 L2 L3) | <p>Accessories</p> <p>Locking levers, manually operated, for "flying leads"</p> <table border="1"> <tr> <td>black</td> <td>770-101</td> <td>100 (4 x 25)</td> </tr> <tr> <td>white</td> <td>770-121</td> <td>100 (4 x 25)</td> </tr> </table> <p>Locking levers, tool operated, for "flying leads"</p> <table border="1"> <tr> <td>black</td> <td>770-111</td> <td>100 (4 x 25)</td> </tr> <tr> <td>white</td> <td>770-131</td> <td>100 (4 x 25)</td> </tr> </table> <p>Lockout caps, for socket, separable, 12 poles</p> <table border="1"> <tr> <td>black</td> <td>770-201</td> <td>100</td> </tr> <tr> <td>white</td> <td>770-221</td> <td>100</td> </tr> </table> <p>Coding pin, for plug</p> <table border="1"> <tr> <td>gray</td> <td>770-401</td> <td>100</td> </tr> </table> | black | 770-101          | 100 (4 x 25)     | white | 770-121          | 100 (4 x 25)     | black | 770-111          | 100 (4 x 25)     | white | 770-131          | 100 (4 x 25)     | black | 770-201          | 100              | white | 770-221          | 100              | gray | 770-401          | 100              |     |                  |                  |
| ● black                                                                                                                                                                                                                                                                                                                                                                                                                                                                                                                                                                                                     | Coding A                                                                                                                                                                                                                                                                                                                                                                                                                                                                                                                                                                                                                                                                                                                                                                                                                                                                      | (N ⊕ L1 L2 L3)                                                                                                                             |                |                |            |                |       |          |                |                                                                                                                                                                                                                                                                                                                                                                                                                                                                                                                                                                                                                                                                                                                                                                                      |       |                  |                  |       |                  |                  |       |                  |                  |       |                  |                  |       |                  |                  |       |                  |                  |      |                  |                  |     |                  |                  |
| ○ white                                                                                                                                                                                                                                                                                                                                                                                                                                                                                                                                                                                                     | Coding A                                                                                                                                                                                                                                                                                                                                                                                                                                                                                                                                                                                                                                                                                                                                                                                                                                                                      | (N ⊕ L1 L2 L3)                                                                                                                             |                |                |            |                |       |          |                |                                                                                                                                                                                                                                                                                                                                                                                                                                                                                                                                                                                                                                                                                                                                                                                      |       |                  |                  |       |                  |                  |       |                  |                  |       |                  |                  |       |                  |                  |       |                  |                  |      |                  |                  |     |                  |                  |
| ● red                                                                                                                                                                                                                                                                                                                                                                                                                                                                                                                                                                                                       | Coding P                                                                                                                                                                                                                                                                                                                                                                                                                                                                                                                                                                                                                                                                                                                                                                                                                                                                      | (N ⊕ L1 L2 L3)                                                                                                                             |                |                |            |                |       |          |                |                                                                                                                                                                                                                                                                                                                                                                                                                                                                                                                                                                                                                                                                                                                                                                                      |       |                  |                  |       |                  |                  |       |                  |                  |       |                  |                  |       |                  |                  |       |                  |                  |      |                  |                  |     |                  |                  |
| black                                                                                                                                                                                                                                                                                                                                                                                                                                                                                                                                                                                                       | 770-101                                                                                                                                                                                                                                                                                                                                                                                                                                                                                                                                                                                                                                                                                                                                                                                                                                                                       | 100 (4 x 25)                                                                                                                               |                |                |            |                |       |          |                |                                                                                                                                                                                                                                                                                                                                                                                                                                                                                                                                                                                                                                                                                                                                                                                      |       |                  |                  |       |                  |                  |       |                  |                  |       |                  |                  |       |                  |                  |       |                  |                  |      |                  |                  |     |                  |                  |
| white                                                                                                                                                                                                                                                                                                                                                                                                                                                                                                                                                                                                       | 770-121                                                                                                                                                                                                                                                                                                                                                                                                                                                                                                                                                                                                                                                                                                                                                                                                                                                                       | 100 (4 x 25)                                                                                                                               |                |                |            |                |       |          |                |                                                                                                                                                                                                                                                                                                                                                                                                                                                                                                                                                                                                                                                                                                                                                                                      |       |                  |                  |       |                  |                  |       |                  |                  |       |                  |                  |       |                  |                  |       |                  |                  |      |                  |                  |     |                  |                  |
| black                                                                                                                                                                                                                                                                                                                                                                                                                                                                                                                                                                                                       | 770-111                                                                                                                                                                                                                                                                                                                                                                                                                                                                                                                                                                                                                                                                                                                                                                                                                                                                       | 100 (4 x 25)                                                                                                                               |                |                |            |                |       |          |                |                                                                                                                                                                                                                                                                                                                                                                                                                                                                                                                                                                                                                                                                                                                                                                                      |       |                  |                  |       |                  |                  |       |                  |                  |       |                  |                  |       |                  |                  |       |                  |                  |      |                  |                  |     |                  |                  |
| white                                                                                                                                                                                                                                                                                                                                                                                                                                                                                                                                                                                                       | 770-131                                                                                                                                                                                                                                                                                                                                                                                                                                                                                                                                                                                                                                                                                                                                                                                                                                                                       | 100 (4 x 25)                                                                                                                               |                |                |            |                |       |          |                |                                                                                                                                                                                                                                                                                                                                                                                                                                                                                                                                                                                                                                                                                                                                                                                      |       |                  |                  |       |                  |                  |       |                  |                  |       |                  |                  |       |                  |                  |       |                  |                  |      |                  |                  |     |                  |                  |
| black                                                                                                                                                                                                                                                                                                                                                                                                                                                                                                                                                                                                       | 770-201                                                                                                                                                                                                                                                                                                                                                                                                                                                                                                                                                                                                                                                                                                                                                                                                                                                                       | 100                                                                                                                                        |                |                |            |                |       |          |                |                                                                                                                                                                                                                                                                                                                                                                                                                                                                                                                                                                                                                                                                                                                                                                                      |       |                  |                  |       |                  |                  |       |                  |                  |       |                  |                  |       |                  |                  |       |                  |                  |      |                  |                  |     |                  |                  |
| white                                                                                                                                                                                                                                                                                                                                                                                                                                                                                                                                                                                                       | 770-221                                                                                                                                                                                                                                                                                                                                                                                                                                                                                                                                                                                                                                                                                                                                                                                                                                                                       | 100                                                                                                                                        |                |                |            |                |       |          |                |                                                                                                                                                                                                                                                                                                                                                                                                                                                                                                                                                                                                                                                                                                                                                                                      |       |                  |                  |       |                  |                  |       |                  |                  |       |                  |                  |       |                  |                  |       |                  |                  |      |                  |                  |     |                  |                  |
| gray                                                                                                                                                                                                                                                                                                                                                                                                                                                                                                                                                                                                        | 770-401                                                                                                                                                                                                                                                                                                                                                                                                                                                                                                                                                                                                                                                                                                                                                                                                                                                                       | 100                                                                                                                                        |                |                |            |                |       |          |                |                                                                                                                                                                                                                                                                                                                                                                                                                                                                                                                                                                                                                                                                                                                                                                                      |       |                  |                  |       |                  |                  |       |                  |                  |       |                  |                  |       |                  |                  |       |                  |                  |      |                  |                  |     |                  |                  |

|                                                                                     |                   | PVC                                                  | H05VV-F 5G2.5    |                |                  |                |
|-------------------------------------------------------------------------------------|-------------------|------------------------------------------------------|------------------|----------------|------------------|----------------|
|                                                                                     |                   | halogen-free                                         | H05Z1Z1-F 5G2.5  |                |                  |                |
|                                                                                     |                   | 400 V/6 kV/3 20 A                                    |                  |                |                  |                |
|                                                                                     |                   | Wire ends bonded 9 mm/0.35 in                        |                  |                |                  |                |
|                                                                                     |                   | ① Approvals                                          |                  |                |                  |                |
| <b>Interconnecting cables, socket - plug</b>                                        |                   | Length                                               | Item no. black   | Item no. white | Item no. black   | Item no. white |
|    |                   | Coding A                                             | ● ○              |                |                  |                |
|    |                   | PVC                                                  | halogen-free     |                |                  |                |
|                                                                                     |                   | 1 m                                                  | 771-9995/007-101 | .../007-102    | 771-9995/017-101 | .../017-102    |
|                                                                                     |                   | 2 m                                                  | 771-9995/007-201 | .../007-202    | 771-9995/017-201 | .../017-202    |
|                                                                                     |                   | 3 m                                                  | 771-9995/007-301 | .../007-302    | 771-9995/017-301 | .../017-302    |
|                                                                                     |                   | 4 m                                                  | 771-9995/007-401 | .../007-402    | 771-9995/017-401 | .../017-402    |
|                                                                                     |                   | 5 m                                                  | 771-9995/007-501 | .../007-502    | 771-9995/017-501 | .../017-502    |
|                                                                                     |                   | 6 m                                                  | 771-9995/007-601 | .../007-602    | 771-9995/017-601 | .../017-602    |
|                                                                                     |                   | 7 m                                                  | 771-9995/007-701 | .../007-702    | 771-9995/017-701 | .../017-702    |
|                                                                                     |                   | 8 m                                                  | 771-9995/007-801 | .../007-802    | 771-9995/017-801 | .../017-802    |
| <b>Connecting cables, socket - free end</b>                                         |                   | Length                                               | Item no. black   | Item no. white | Item no. black   | Item no. white |
|   |                   | Coding A                                             | ● ○              |                |                  |                |
|  |                   | PVC                                                  | halogen-free     |                |                  |                |
|                                                                                     |                   | 1 m                                                  | 771-9995/107-101 | .../107-102    | 771-9995/117-101 | .../117-102    |
|                                                                                     |                   | 2 m                                                  | 771-9995/107-201 | .../107-202    | 771-9995/117-201 | .../117-202    |
|                                                                                     |                   | 3 m                                                  | 771-9995/107-301 | .../107-302    | 771-9995/117-301 | .../117-302    |
|                                                                                     |                   | 4 m                                                  | 771-9995/107-401 | .../107-402    | 771-9995/117-401 | .../117-402    |
|                                                                                     |                   | 5 m                                                  | 771-9995/107-501 | .../107-502    | 771-9995/117-501 | .../117-502    |
|                                                                                     |                   | 6 m                                                  | 771-9995/107-601 | .../107-602    | 771-9995/117-601 | .../117-602    |
|                                                                                     |                   | 7 m                                                  | 771-9995/107-701 | .../107-702    | 771-9995/117-701 | .../117-702    |
|                                                                                     |                   | 8 m                                                  | 771-9995/107-801 | .../107-802    | 771-9995/117-801 | .../117-802    |
| <b>Connecting cables, plug - free end</b>                                           |                   | Length                                               | Item no. black   | Item no. white | Item no. black   | Item no. white |
|  |                   | Coding A                                             | ● ○              |                |                  |                |
|  |                   | PVC                                                  | halogen-free     |                |                  |                |
|                                                                                     |                   | 1 m                                                  | 771-9995/207-101 | .../207-102    | 771-9995/217-101 | .../217-102    |
|                                                                                     |                   | 2 m                                                  | 771-9995/207-201 | .../207-202    | 771-9995/217-201 | .../217-202    |
|                                                                                     |                   | 3 m                                                  | 771-9995/207-301 | .../207-302    | 771-9995/217-301 | .../217-302    |
|                                                                                     |                   | 4 m                                                  | 771-9995/207-401 | .../207-402    | 771-9995/217-401 | .../217-402    |
|                                                                                     |                   | 5 m                                                  | 771-9995/207-501 | .../207-502    | 771-9995/217-501 | .../217-502    |
|                                                                                     |                   | 6 m                                                  | 771-9995/207-601 | .../207-602    | 771-9995/217-601 | .../217-602    |
|                                                                                     |                   | 7 m                                                  | 771-9995/207-701 | .../207-702    | 771-9995/217-701 | .../217-702    |
|                                                                                     |                   | 8 m                                                  | 771-9995/207-801 | .../207-802    | 771-9995/217-801 | .../217-802    |
| <b>Lengths</b>                                                                      | <b>Pack.-unit</b> | <b>Accessories</b>                                   |                  |                |                  |                |
| 1 m                                                                                 | 50                | <b>Locking levers, manually operated,</b>            |                  |                |                  |                |
| 2, 3, 4 m                                                                           | 25                | for "flying leads"                                   |                  |                |                  |                |
| 5, 6 m                                                                              | 15                | black <b>770-101</b> 100 (4 x 25)                    |                  |                |                  |                |
| 7, 8 m                                                                              | 10                | white <b>770-121</b> 100 (4 x 25)                    |                  |                |                  |                |
| Other lengths on request                                                            |                   | <b>Locking levers, tool operated,</b>                |                  |                |                  |                |
|                                                                                     |                   | for "flying leads"                                   |                  |                |                  |                |
|                                                                                     |                   | black <b>770-111</b> 100 (4 x 25)                    |                  |                |                  |                |
|                                                                                     |                   | white <b>770-131</b> 100 (4 x 25)                    |                  |                |                  |                |
|                                                                                     |                   | <b>Lockout caps, for socket, separable, 12 poles</b> |                  |                |                  |                |
|                                                                                     |                   | black <b>770-201</b> 100                             |                  |                |                  |                |
|                                                                                     |                   | white <b>770-221</b> 100                             |                  |                |                  |                |
|                                                                                     |                   | <b>Coding pin, for plug</b>                          |                  |                |                  |                |
|                                                                                     |                   | gray <b>770-401</b> 100                              |                  |                |                  |                |

|                                                                                                                                                                                                                                                                                                                     |  | PVC                                                                                                                                                                                                                                                                                                                                                                                                                     | H05VV-F 5G2.5     |                  |
|---------------------------------------------------------------------------------------------------------------------------------------------------------------------------------------------------------------------------------------------------------------------------------------------------------------------|--|-------------------------------------------------------------------------------------------------------------------------------------------------------------------------------------------------------------------------------------------------------------------------------------------------------------------------------------------------------------------------------------------------------------------------|-------------------|------------------|
|                                                                                                                                                                                                                                                                                                                     |  | halogen-free                                                                                                                                                                                                                                                                                                                                                                                                            | H05Z1Z1-F 5G2.5   |                  |
|                                                                                                                                                                                                                                                                                                                     |  | 400 V/6 kV/3 20 A                                                                                                                                                                                                                                                                                                                                                                                                       |                   |                  |
|                                                                                                                                                                                                                                                                                                                     |  | Wire ends bonded 9 mm/0.35 in                                                                                                                                                                                                                                                                                                                                                                                           |                   |                  |
|                                                                                                                                                                                                                                                                                                                     |  | ① Approvals                                                                                                                                                                                                                                                                                                                                                                                                             |                   |                  |
| Interconnecting cables, socket - plug                                                                                                                                                                                                                                                                               |  | Length Item no.<br>black                                                                                                                                                                                                                                                                                                                                                                                                | Item no.<br>black |                  |
|                                                                                                                                                                                                                                    |  | Coding I, ●<br>e.g., for dimming function (DALI)                                                                                                                                                                                                                                                                                                                                                                        |                   |                  |
|                                                                                                                                                                                                                                     |  | PVC                                                                                                                                                                                                                                                                                                                                                                                                                     | halogen-free      |                  |
|                                                                                                                                                                                                                                                                                                                     |  | 1 m                                                                                                                                                                                                                                                                                                                                                                                                                     | 771-9985/007-101  | 771-9985/017-101 |
|                                                                                                                                                                                                                                                                                                                     |  | 2 m                                                                                                                                                                                                                                                                                                                                                                                                                     | 771-9985/007-201  | 771-9985/017-201 |
|                                                                                                                                                                                                                                                                                                                     |  | 3 m                                                                                                                                                                                                                                                                                                                                                                                                                     | 771-9985/007-301  | 771-9985/017-301 |
|                                                                                                                                                                                                                                                                                                                     |  | 4 m                                                                                                                                                                                                                                                                                                                                                                                                                     | 771-9985/007-401  | 771-9985/017-401 |
|                                                                                                                                                                                                                                                                                                                     |  | 5 m                                                                                                                                                                                                                                                                                                                                                                                                                     | 771-9985/007-501  | 771-9985/017-501 |
|                                                                                                                                                                                                                                                                                                                     |  | 6 m                                                                                                                                                                                                                                                                                                                                                                                                                     | 771-9985/007-601  | 771-9985/017-601 |
|                                                                                                                                                                                                                                                                                                                     |  | 7 m                                                                                                                                                                                                                                                                                                                                                                                                                     | 771-9985/007-701  | 771-9985/017-701 |
|                                                                                                                                                                                                                                                                                                                     |  | 8 m                                                                                                                                                                                                                                                                                                                                                                                                                     | 771-9985/007-801  | 771-9985/017-801 |
| Connecting cables, socket - free end                                                                                                                                                                                                                                                                                |  | Length Item no.<br>black                                                                                                                                                                                                                                                                                                                                                                                                | Item no.<br>black |                  |
|                                                                                                                                                                                                                                   |  | Coding I, ●<br>e.g., for dimming function (DALI)                                                                                                                                                                                                                                                                                                                                                                        |                   |                  |
|                                                                                                                                                                                                                                   |  | PVC                                                                                                                                                                                                                                                                                                                                                                                                                     | halogen-free      |                  |
|                                                                                                                                                                                                                                                                                                                     |  | 1 m                                                                                                                                                                                                                                                                                                                                                                                                                     | 771-9985/107-101  | 771-9985/117-101 |
|                                                                                                                                                                                                                                                                                                                     |  | 2 m                                                                                                                                                                                                                                                                                                                                                                                                                     | 771-9985/107-201  | 771-9985/117-201 |
|                                                                                                                                                                                                                                                                                                                     |  | 3 m                                                                                                                                                                                                                                                                                                                                                                                                                     | 771-9985/107-301  | 771-9985/117-301 |
|                                                                                                                                                                                                                                                                                                                     |  | 4 m                                                                                                                                                                                                                                                                                                                                                                                                                     | 771-9985/107-401  | 771-9985/117-401 |
|                                                                                                                                                                                                                                                                                                                     |  | 5 m                                                                                                                                                                                                                                                                                                                                                                                                                     | 771-9985/107-501  | 771-9985/117-501 |
|                                                                                                                                                                                                                                                                                                                     |  | 6 m                                                                                                                                                                                                                                                                                                                                                                                                                     | 771-9985/107-601  | 771-9985/117-601 |
|                                                                                                                                                                                                                                                                                                                     |  | 7 m                                                                                                                                                                                                                                                                                                                                                                                                                     | 771-9985/107-701  | 771-9985/117-701 |
|                                                                                                                                                                                                                                                                                                                     |  | 8 m                                                                                                                                                                                                                                                                                                                                                                                                                     | 771-9985/107-801  | 771-9985/117-801 |
| Connecting cables, plug - free end                                                                                                                                                                                                                                                                                  |  | Length Item no.<br>black                                                                                                                                                                                                                                                                                                                                                                                                | Item no.<br>black |                  |
|                                                                                                                                                                                                                                  |  | Coding I, ●<br>e.g., for dimming function (DALI)                                                                                                                                                                                                                                                                                                                                                                        |                   |                  |
|                                                                                                                                                                                                                                   |  | PVC                                                                                                                                                                                                                                                                                                                                                                                                                     | halogen-free      |                  |
|                                                                                                                                                                                                                                                                                                                     |  | 1 m                                                                                                                                                                                                                                                                                                                                                                                                                     | 771-9985/207-101  | 771-9985/217-101 |
|                                                                                                                                                                                                                                                                                                                     |  | 2 m                                                                                                                                                                                                                                                                                                                                                                                                                     | 771-9985/207-201  | 771-9985/217-201 |
|                                                                                                                                                                                                                                                                                                                     |  | 3 m                                                                                                                                                                                                                                                                                                                                                                                                                     | 771-9985/207-301  | 771-9985/217-301 |
|                                                                                                                                                                                                                                                                                                                     |  | 4 m                                                                                                                                                                                                                                                                                                                                                                                                                     | 771-9985/207-401  | 771-9985/217-401 |
|                                                                                                                                                                                                                                                                                                                     |  | 5 m                                                                                                                                                                                                                                                                                                                                                                                                                     | 771-9985/207-501  | 771-9985/217-501 |
|                                                                                                                                                                                                                                                                                                                     |  | 6 m                                                                                                                                                                                                                                                                                                                                                                                                                     | 771-9985/207-601  | 771-9985/217-601 |
|                                                                                                                                                                                                                                                                                                                     |  | 7 m                                                                                                                                                                                                                                                                                                                                                                                                                     | 771-9985/207-701  | 771-9985/217-701 |
|                                                                                                                                                                                                                                                                                                                     |  | 8 m                                                                                                                                                                                                                                                                                                                                                                                                                     | 771-9985/207-801  | 771-9985/217-801 |
| Info                                                                                                                                                                                                                                                                                                                |  | Accessories                                                                                                                                                                                                                                                                                                                                                                                                             |                   |                  |
| <p>① Approval data can be found in the online catalog at <a href="http://www.wagocatalog.com">www.wagocatalog.com</a></p> <p>Other cables on request</p> <p>● blue Coding I (N ⊕ L DA- DA+)<br/>● red Coding P (N ⊕ L1 L2 L3)</p> <p>Please find some information on the different codings on pages 146 and 147</p> |  | <p>Locking levers, manually operated,<br/>for "flying leads"</p> <p>black 770-101 100 (4 x 25)<br/>white 770-121 100 (4 x 25)</p> <p>Locking levers, tool operated,<br/>for "flying leads"</p> <p>black 770-111 100 (4 x 25)<br/>white 770-131 100 (4 x 25)</p> <p>Lockout caps, for socket, separable, 12 poles</p> <p>black 770-201 100<br/>white 770-221 100</p> <p>Coding pin, for plug</p> <p>gray 770-401 100</p> |                   |                  |


|                                                                                                                                                                         |                   |                                                                                                                                                                                                                                                                                                                                                                                                                                                                                                                                                                                                                                                                                                                   |     |                  |                  |     |                  |                  |     |                  |                  |     |                  |                  |     |                  |                  |     |                  |                  |     |                  |                  |     |                  |                  |
|-------------------------------------------------------------------------------------------------------------------------------------------------------------------------|-------------------|-------------------------------------------------------------------------------------------------------------------------------------------------------------------------------------------------------------------------------------------------------------------------------------------------------------------------------------------------------------------------------------------------------------------------------------------------------------------------------------------------------------------------------------------------------------------------------------------------------------------------------------------------------------------------------------------------------------------|-----|------------------|------------------|-----|------------------|------------------|-----|------------------|------------------|-----|------------------|------------------|-----|------------------|------------------|-----|------------------|------------------|-----|------------------|------------------|-----|------------------|------------------|
|                                                                                                                                                                         |                   | <p>PVC H05VV-F 5G2.5<br/>halogen-free H05Z1Z1-F 5G2.5</p> <p>400 V/6 kV/3 20 A</p> <p>Wire ends bonded 9 mm/0.35 in</p> <p>① Approvals</p>                                                                                                                                                                                                                                                                                                                                                                                                                                                                                                                                                                        |     |                  |                  |     |                  |                  |     |                  |                  |     |                  |                  |     |                  |                  |     |                  |                  |     |                  |                  |     |                  |                  |
| <b>Interconnecting cables, socket - plug</b>                                                                                                                            |                   | <p>Length Item no. black Item no. black</p> <p>Coding P ●</p> <p>PVC halogen-free</p> <table border="1"> <tr><td>1 m</td><td>771-9975/007-101</td><td>771-9975/017-101</td></tr> <tr><td>2 m</td><td>771-9975/007-201</td><td>771-9975/017-201</td></tr> <tr><td>3 m</td><td>771-9975/007-301</td><td>771-9975/017-301</td></tr> <tr><td>4 m</td><td>771-9975/007-401</td><td>771-9975/017-401</td></tr> <tr><td>5 m</td><td>771-9975/007-501</td><td>771-9975/017-501</td></tr> <tr><td>6 m</td><td>771-9975/007-601</td><td>771-9975/017-601</td></tr> <tr><td>7 m</td><td>771-9975/007-701</td><td>771-9975/017-701</td></tr> <tr><td>8 m</td><td>771-9975/007-801</td><td>771-9975/017-801</td></tr> </table> | 1 m | 771-9975/007-101 | 771-9975/017-101 | 2 m | 771-9975/007-201 | 771-9975/017-201 | 3 m | 771-9975/007-301 | 771-9975/017-301 | 4 m | 771-9975/007-401 | 771-9975/017-401 | 5 m | 771-9975/007-501 | 771-9975/017-501 | 6 m | 771-9975/007-601 | 771-9975/017-601 | 7 m | 771-9975/007-701 | 771-9975/017-701 | 8 m | 771-9975/007-801 | 771-9975/017-801 |
| 1 m                                                                                                                                                                     | 771-9975/007-101  | 771-9975/017-101                                                                                                                                                                                                                                                                                                                                                                                                                                                                                                                                                                                                                                                                                                  |     |                  |                  |     |                  |                  |     |                  |                  |     |                  |                  |     |                  |                  |     |                  |                  |     |                  |                  |     |                  |                  |
| 2 m                                                                                                                                                                     | 771-9975/007-201  | 771-9975/017-201                                                                                                                                                                                                                                                                                                                                                                                                                                                                                                                                                                                                                                                                                                  |     |                  |                  |     |                  |                  |     |                  |                  |     |                  |                  |     |                  |                  |     |                  |                  |     |                  |                  |     |                  |                  |
| 3 m                                                                                                                                                                     | 771-9975/007-301  | 771-9975/017-301                                                                                                                                                                                                                                                                                                                                                                                                                                                                                                                                                                                                                                                                                                  |     |                  |                  |     |                  |                  |     |                  |                  |     |                  |                  |     |                  |                  |     |                  |                  |     |                  |                  |     |                  |                  |
| 4 m                                                                                                                                                                     | 771-9975/007-401  | 771-9975/017-401                                                                                                                                                                                                                                                                                                                                                                                                                                                                                                                                                                                                                                                                                                  |     |                  |                  |     |                  |                  |     |                  |                  |     |                  |                  |     |                  |                  |     |                  |                  |     |                  |                  |     |                  |                  |
| 5 m                                                                                                                                                                     | 771-9975/007-501  | 771-9975/017-501                                                                                                                                                                                                                                                                                                                                                                                                                                                                                                                                                                                                                                                                                                  |     |                  |                  |     |                  |                  |     |                  |                  |     |                  |                  |     |                  |                  |     |                  |                  |     |                  |                  |     |                  |                  |
| 6 m                                                                                                                                                                     | 771-9975/007-601  | 771-9975/017-601                                                                                                                                                                                                                                                                                                                                                                                                                                                                                                                                                                                                                                                                                                  |     |                  |                  |     |                  |                  |     |                  |                  |     |                  |                  |     |                  |                  |     |                  |                  |     |                  |                  |     |                  |                  |
| 7 m                                                                                                                                                                     | 771-9975/007-701  | 771-9975/017-701                                                                                                                                                                                                                                                                                                                                                                                                                                                                                                                                                                                                                                                                                                  |     |                  |                  |     |                  |                  |     |                  |                  |     |                  |                  |     |                  |                  |     |                  |                  |     |                  |                  |     |                  |                  |
| 8 m                                                                                                                                                                     | 771-9975/007-801  | 771-9975/017-801                                                                                                                                                                                                                                                                                                                                                                                                                                                                                                                                                                                                                                                                                                  |     |                  |                  |     |                  |                  |     |                  |                  |     |                  |                  |     |                  |                  |     |                  |                  |     |                  |                  |     |                  |                  |
|       |                   |                                                                                                                                                                                                                                                                                                                                                                                                                                                                                                                                                                                                                                                                                                                   |     |                  |                  |     |                  |                  |     |                  |                  |     |                  |                  |     |                  |                  |     |                  |                  |     |                  |                  |     |                  |                  |
| <b>Connecting cables, socket - free end</b>                                                                                                                             |                   | <p>Length Item no. black Item no. black</p> <p>Coding P ●</p> <p>PVC halogen-free</p> <table border="1"> <tr><td>1 m</td><td>771-9975/107-101</td><td>771-9975/117-101</td></tr> <tr><td>2 m</td><td>771-9975/107-201</td><td>771-9975/117-201</td></tr> <tr><td>3 m</td><td>771-9975/107-301</td><td>771-9975/117-301</td></tr> <tr><td>4 m</td><td>771-9975/107-401</td><td>771-9975/117-401</td></tr> <tr><td>5 m</td><td>771-9975/107-501</td><td>771-9975/117-501</td></tr> <tr><td>6 m</td><td>771-9975/107-601</td><td>771-9975/117-601</td></tr> <tr><td>7 m</td><td>771-9975/107-701</td><td>771-9975/117-701</td></tr> <tr><td>8 m</td><td>771-9975/107-801</td><td>771-9975/117-801</td></tr> </table> | 1 m | 771-9975/107-101 | 771-9975/117-101 | 2 m | 771-9975/107-201 | 771-9975/117-201 | 3 m | 771-9975/107-301 | 771-9975/117-301 | 4 m | 771-9975/107-401 | 771-9975/117-401 | 5 m | 771-9975/107-501 | 771-9975/117-501 | 6 m | 771-9975/107-601 | 771-9975/117-601 | 7 m | 771-9975/107-701 | 771-9975/117-701 | 8 m | 771-9975/107-801 | 771-9975/117-801 |
| 1 m                                                                                                                                                                     | 771-9975/107-101  | 771-9975/117-101                                                                                                                                                                                                                                                                                                                                                                                                                                                                                                                                                                                                                                                                                                  |     |                  |                  |     |                  |                  |     |                  |                  |     |                  |                  |     |                  |                  |     |                  |                  |     |                  |                  |     |                  |                  |
| 2 m                                                                                                                                                                     | 771-9975/107-201  | 771-9975/117-201                                                                                                                                                                                                                                                                                                                                                                                                                                                                                                                                                                                                                                                                                                  |     |                  |                  |     |                  |                  |     |                  |                  |     |                  |                  |     |                  |                  |     |                  |                  |     |                  |                  |     |                  |                  |
| 3 m                                                                                                                                                                     | 771-9975/107-301  | 771-9975/117-301                                                                                                                                                                                                                                                                                                                                                                                                                                                                                                                                                                                                                                                                                                  |     |                  |                  |     |                  |                  |     |                  |                  |     |                  |                  |     |                  |                  |     |                  |                  |     |                  |                  |     |                  |                  |
| 4 m                                                                                                                                                                     | 771-9975/107-401  | 771-9975/117-401                                                                                                                                                                                                                                                                                                                                                                                                                                                                                                                                                                                                                                                                                                  |     |                  |                  |     |                  |                  |     |                  |                  |     |                  |                  |     |                  |                  |     |                  |                  |     |                  |                  |     |                  |                  |
| 5 m                                                                                                                                                                     | 771-9975/107-501  | 771-9975/117-501                                                                                                                                                                                                                                                                                                                                                                                                                                                                                                                                                                                                                                                                                                  |     |                  |                  |     |                  |                  |     |                  |                  |     |                  |                  |     |                  |                  |     |                  |                  |     |                  |                  |     |                  |                  |
| 6 m                                                                                                                                                                     | 771-9975/107-601  | 771-9975/117-601                                                                                                                                                                                                                                                                                                                                                                                                                                                                                                                                                                                                                                                                                                  |     |                  |                  |     |                  |                  |     |                  |                  |     |                  |                  |     |                  |                  |     |                  |                  |     |                  |                  |     |                  |                  |
| 7 m                                                                                                                                                                     | 771-9975/107-701  | 771-9975/117-701                                                                                                                                                                                                                                                                                                                                                                                                                                                                                                                                                                                                                                                                                                  |     |                  |                  |     |                  |                  |     |                  |                  |     |                  |                  |     |                  |                  |     |                  |                  |     |                  |                  |     |                  |                  |
| 8 m                                                                                                                                                                     | 771-9975/107-801  | 771-9975/117-801                                                                                                                                                                                                                                                                                                                                                                                                                                                                                                                                                                                                                                                                                                  |     |                  |                  |     |                  |                  |     |                  |                  |     |                  |                  |     |                  |                  |     |                  |                  |     |                  |                  |     |                  |                  |
|    |                   |                                                                                                                                                                                                                                                                                                                                                                                                                                                                                                                                                                                                                                                                                                                   |     |                  |                  |     |                  |                  |     |                  |                  |     |                  |                  |     |                  |                  |     |                  |                  |     |                  |                  |     |                  |                  |
| <b>Connecting cables, plug - free end</b>                                                                                                                               |                   | <p>Length Item no. black Item no. black</p> <p>Coding P ●</p> <p>PVC halogen-free</p> <table border="1"> <tr><td>1 m</td><td>771-9975/207-101</td><td>771-9975/217-101</td></tr> <tr><td>2 m</td><td>771-9975/207-201</td><td>771-9975/217-201</td></tr> <tr><td>3 m</td><td>771-9975/207-301</td><td>771-9975/217-301</td></tr> <tr><td>4 m</td><td>771-9975/207-401</td><td>771-9975/217-401</td></tr> <tr><td>5 m</td><td>771-9975/207-501</td><td>771-9975/217-501</td></tr> <tr><td>6 m</td><td>771-9975/207-601</td><td>771-9975/217-601</td></tr> <tr><td>7 m</td><td>771-9975/207-701</td><td>771-9975/217-701</td></tr> <tr><td>8 m</td><td>771-9975/207-801</td><td>771-9975/217-801</td></tr> </table> | 1 m | 771-9975/207-101 | 771-9975/217-101 | 2 m | 771-9975/207-201 | 771-9975/217-201 | 3 m | 771-9975/207-301 | 771-9975/217-301 | 4 m | 771-9975/207-401 | 771-9975/217-401 | 5 m | 771-9975/207-501 | 771-9975/217-501 | 6 m | 771-9975/207-601 | 771-9975/217-601 | 7 m | 771-9975/207-701 | 771-9975/217-701 | 8 m | 771-9975/207-801 | 771-9975/217-801 |
| 1 m                                                                                                                                                                     | 771-9975/207-101  | 771-9975/217-101                                                                                                                                                                                                                                                                                                                                                                                                                                                                                                                                                                                                                                                                                                  |     |                  |                  |     |                  |                  |     |                  |                  |     |                  |                  |     |                  |                  |     |                  |                  |     |                  |                  |     |                  |                  |
| 2 m                                                                                                                                                                     | 771-9975/207-201  | 771-9975/217-201                                                                                                                                                                                                                                                                                                                                                                                                                                                                                                                                                                                                                                                                                                  |     |                  |                  |     |                  |                  |     |                  |                  |     |                  |                  |     |                  |                  |     |                  |                  |     |                  |                  |     |                  |                  |
| 3 m                                                                                                                                                                     | 771-9975/207-301  | 771-9975/217-301                                                                                                                                                                                                                                                                                                                                                                                                                                                                                                                                                                                                                                                                                                  |     |                  |                  |     |                  |                  |     |                  |                  |     |                  |                  |     |                  |                  |     |                  |                  |     |                  |                  |     |                  |                  |
| 4 m                                                                                                                                                                     | 771-9975/207-401  | 771-9975/217-401                                                                                                                                                                                                                                                                                                                                                                                                                                                                                                                                                                                                                                                                                                  |     |                  |                  |     |                  |                  |     |                  |                  |     |                  |                  |     |                  |                  |     |                  |                  |     |                  |                  |     |                  |                  |
| 5 m                                                                                                                                                                     | 771-9975/207-501  | 771-9975/217-501                                                                                                                                                                                                                                                                                                                                                                                                                                                                                                                                                                                                                                                                                                  |     |                  |                  |     |                  |                  |     |                  |                  |     |                  |                  |     |                  |                  |     |                  |                  |     |                  |                  |     |                  |                  |
| 6 m                                                                                                                                                                     | 771-9975/207-601  | 771-9975/217-601                                                                                                                                                                                                                                                                                                                                                                                                                                                                                                                                                                                                                                                                                                  |     |                  |                  |     |                  |                  |     |                  |                  |     |                  |                  |     |                  |                  |     |                  |                  |     |                  |                  |     |                  |                  |
| 7 m                                                                                                                                                                     | 771-9975/207-701  | 771-9975/217-701                                                                                                                                                                                                                                                                                                                                                                                                                                                                                                                                                                                                                                                                                                  |     |                  |                  |     |                  |                  |     |                  |                  |     |                  |                  |     |                  |                  |     |                  |                  |     |                  |                  |     |                  |                  |
| 8 m                                                                                                                                                                     | 771-9975/207-801  | 771-9975/217-801                                                                                                                                                                                                                                                                                                                                                                                                                                                                                                                                                                                                                                                                                                  |     |                  |                  |     |                  |                  |     |                  |                  |     |                  |                  |     |                  |                  |     |                  |                  |     |                  |                  |     |                  |                  |
|   |                   |                                                                                                                                                                                                                                                                                                                                                                                                                                                                                                                                                                                                                                                                                                                   |     |                  |                  |     |                  |                  |     |                  |                  |     |                  |                  |     |                  |                  |     |                  |                  |     |                  |                  |     |                  |                  |
| <b>Lengths</b>                                                                                                                                                          | <b>Pack.-unit</b> | <b>Accessories</b>                                                                                                                                                                                                                                                                                                                                                                                                                                                                                                                                                                                                                                                                                                |     |                  |                  |     |                  |                  |     |                  |                  |     |                  |                  |     |                  |                  |     |                  |                  |     |                  |                  |     |                  |                  |
| 1 m                                                                                                                                                                     | 50                | <b>Locking levers, manually operated,</b>                                                                                                                                                                                                                                                                                                                                                                                                                                                                                                                                                                                                                                                                         |     |                  |                  |     |                  |                  |     |                  |                  |     |                  |                  |     |                  |                  |     |                  |                  |     |                  |                  |     |                  |                  |
| 2, 3, 4 m                                                                                                                                                               | 25                | for "flying leads"                                                                                                                                                                                                                                                                                                                                                                                                                                                                                                                                                                                                                                                                                                |     |                  |                  |     |                  |                  |     |                  |                  |     |                  |                  |     |                  |                  |     |                  |                  |     |                  |                  |     |                  |                  |
| 5, 6 m                                                                                                                                                                  | 15                | black <b>770-101</b> 100 (4 x 25)                                                                                                                                                                                                                                                                                                                                                                                                                                                                                                                                                                                                                                                                                 |     |                  |                  |     |                  |                  |     |                  |                  |     |                  |                  |     |                  |                  |     |                  |                  |     |                  |                  |     |                  |                  |
| 7, 8 m                                                                                                                                                                  | 10                | white <b>770-121</b> 100 (4 x 25)                                                                                                                                                                                                                                                                                                                                                                                                                                                                                                                                                                                                                                                                                 |     |                  |                  |     |                  |                  |     |                  |                  |     |                  |                  |     |                  |                  |     |                  |                  |     |                  |                  |     |                  |                  |
| Other lengths on request                                                                                                                                                |                   | <b>Locking levers, tool operated,</b>                                                                                                                                                                                                                                                                                                                                                                                                                                                                                                                                                                                                                                                                             |     |                  |                  |     |                  |                  |     |                  |                  |     |                  |                  |     |                  |                  |     |                  |                  |     |                  |                  |     |                  |                  |
|                                                                                                                                                                         |                   | for "flying leads"                                                                                                                                                                                                                                                                                                                                                                                                                                                                                                                                                                                                                                                                                                |     |                  |                  |     |                  |                  |     |                  |                  |     |                  |                  |     |                  |                  |     |                  |                  |     |                  |                  |     |                  |                  |
|                                                                                                                                                                         |                   | black <b>770-111</b> 100 (4 x 25)                                                                                                                                                                                                                                                                                                                                                                                                                                                                                                                                                                                                                                                                                 |     |                  |                  |     |                  |                  |     |                  |                  |     |                  |                  |     |                  |                  |     |                  |                  |     |                  |                  |     |                  |                  |
|                                                                                                                                                                         |                   | white <b>770-131</b> 100 (4 x 25)                                                                                                                                                                                                                                                                                                                                                                                                                                                                                                                                                                                                                                                                                 |     |                  |                  |     |                  |                  |     |                  |                  |     |                  |                  |     |                  |                  |     |                  |                  |     |                  |                  |     |                  |                  |
|                                                                                                                                                                         |                   | <b>Lockout caps, for socket, separable, 12 poles</b>                                                                                                                                                                                                                                                                                                                                                                                                                                                                                                                                                                                                                                                              |     |                  |                  |     |                  |                  |     |                  |                  |     |                  |                  |     |                  |                  |     |                  |                  |     |                  |                  |     |                  |                  |
|                                                                                                                                                                         |                   | black <b>770-201</b> 100                                                                                                                                                                                                                                                                                                                                                                                                                                                                                                                                                                                                                                                                                          |     |                  |                  |     |                  |                  |     |                  |                  |     |                  |                  |     |                  |                  |     |                  |                  |     |                  |                  |     |                  |                  |
|                                                                                                                                                                         |                   | white <b>770-221</b> 100                                                                                                                                                                                                                                                                                                                                                                                                                                                                                                                                                                                                                                                                                          |     |                  |                  |     |                  |                  |     |                  |                  |     |                  |                  |     |                  |                  |     |                  |                  |     |                  |                  |     |                  |                  |
|                                                                                                                                                                         |                   | <b>Coding pin, for plug</b>                                                                                                                                                                                                                                                                                                                                                                                                                                                                                                                                                                                                                                                                                       |     |                  |                  |     |                  |                  |     |                  |                  |     |                  |                  |     |                  |                  |     |                  |                  |     |                  |                  |     |                  |                  |
|                                                                                                                                                                         |                   | gray <b>770-401</b> 100                                                                                                                                                                                                                                                                                                                                                                                                                                                                                                                                                                                                                                                                                           |     |                  |                  |     |                  |                  |     |                  |                  |     |                  |                  |     |                  |                  |     |                  |                  |     |                  |                  |     |                  |                  |

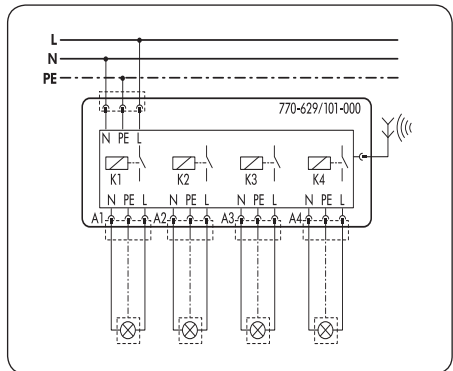
|                                                                   |                                                                                                                             |                       |
|-------------------------------------------------------------------|-----------------------------------------------------------------------------------------------------------------------------|-----------------------|
| <p>Distribution box, wired<br/>Different versions see page 79</p> | <p>4-channel radio receiver<br/>with 4 make contacts</p> <p>2-channel radio receiver<br/>with outputs for blind control</p> | <p>Technical data</p> |
|-------------------------------------------------------------------|-----------------------------------------------------------------------------------------------------------------------------|-----------------------|



| Description            | Color                           | Item no.        | Pack-unit | Technical data                                                                                        |
|------------------------|---------------------------------|-----------------|-----------|-------------------------------------------------------------------------------------------------------|
| <b>Radio receivers</b> | <b>4-channel radio receiver</b> |                 |           | Voltage supply AC 230 V, 50 - 60 Hz                                                                   |
|                        | black                           | 770-629/101-000 | 1         | Voltage range ± 10 %                                                                                  |
|                        |                                 |                 |           | Current consumption (internal) max. 21 mA                                                             |
|                        |                                 |                 |           | Max. total current 16 A (4-channel)                                                                   |
|                        |                                 |                 |           | Max. make current max. 8 A (2-channel)                                                                |
|                        |                                 |                 |           | Switching frequency max. 120 A (4-channel)                                                            |
|                        |                                 |                 |           | Isolation 25 A (2-channel)                                                                            |
|                        |                                 |                 |           | Fuse protection max. 5 Hz                                                                             |
|                        |                                 |                 |           | Ambient operating temperature Internal voltage supply, electrically isolated                          |
|                        |                                 |                 |           | Type of mounting external, 16 A                                                                       |
|                        |                                 |                 |           | Degree of protection IP 20                                                                            |
|                        |                                 |                 |           | Fitting position any                                                                                  |
|                        |                                 |                 |           | Standards/specifications Vibration and shock resistance according to IEC 60068-2-6 and IEC 60068-2-27 |

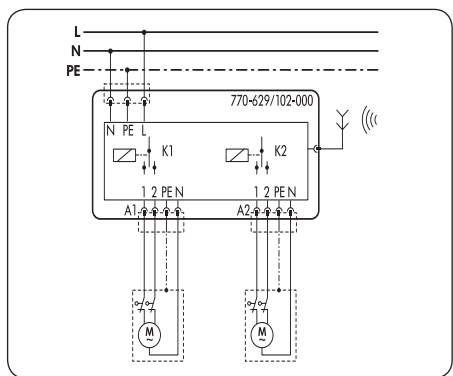
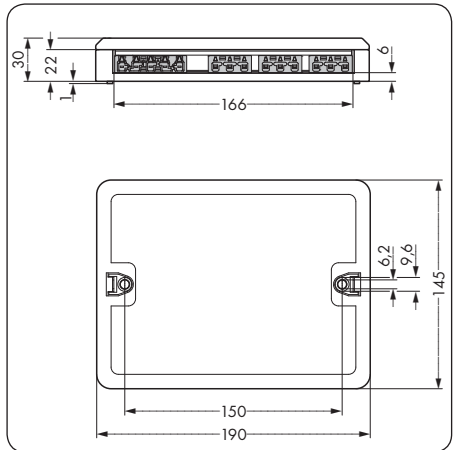
**Accessories** **Block diagrams**

|                                                                                     |       |         |   |
|-------------------------------------------------------------------------------------|-------|---------|---|
| <p>RF magnetic antenna, with SMA plug,<br/>incl. 2.5m connecting cable</p>          |       |         |   |
|  | black | 758-910 | 1 |



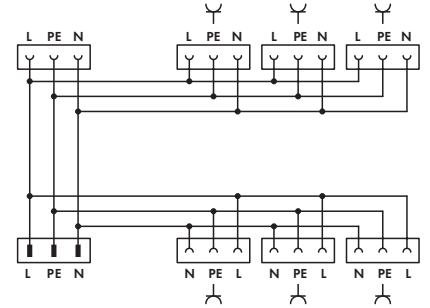
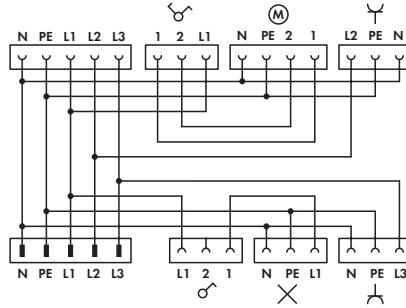
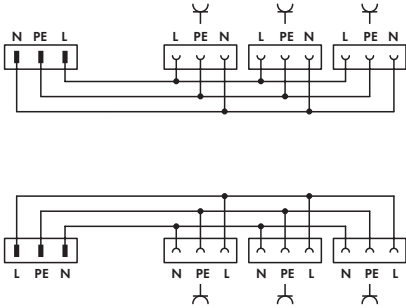
**Info** **Dimensions (in mm)**

Please find additional information at [www.wago.com](http://www.wago.com)

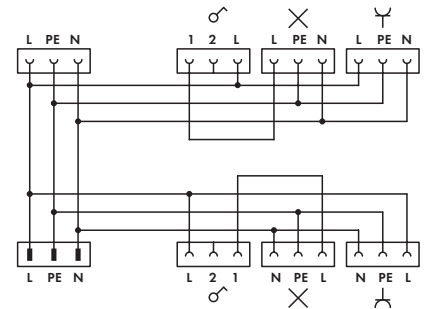
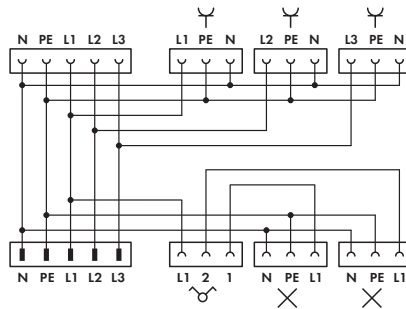
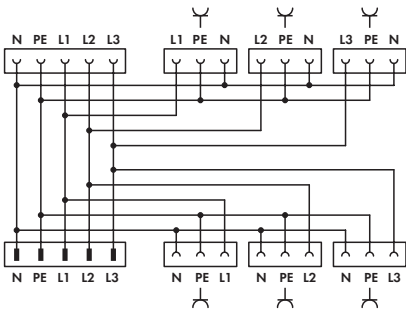




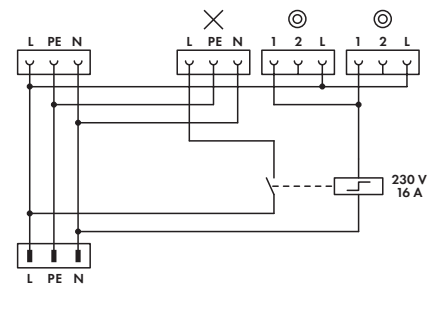
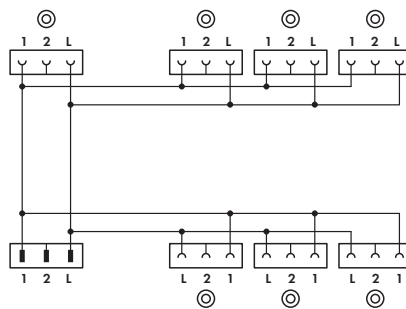
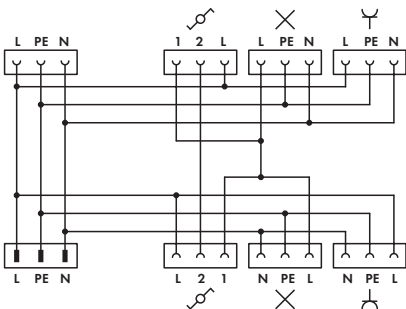
|                                                                                                                     |                                                                                                                     |                                                                                                                                                                                             |
|---------------------------------------------------------------------------------------------------------------------|---------------------------------------------------------------------------------------------------------------------|---------------------------------------------------------------------------------------------------------------------------------------------------------------------------------------------|
| Internal wiring 4 mm <sup>2</sup> /AWG 12<br>400 V / 6 kV / 3      5 poles<br>250 V / 4 kV / 3      3 poles<br>25 A | Internal wiring 4 mm <sup>2</sup> /AWG 12<br>400 V / 6 kV / 3      5 poles<br>250 V / 4 kV / 3      3 poles<br>25 A | Internal wiring 2.5 mm <sup>2</sup> (AWG 14) / 4 mm <sup>2</sup> (AWG 12)<br>400 V / 6 kV / 3      5 poles<br>250 V / 4 kV / 3      3 poles<br>max. 25 A, depends on the built-in appliance |
|---------------------------------------------------------------------------------------------------------------------|---------------------------------------------------------------------------------------------------------------------|---------------------------------------------------------------------------------------------------------------------------------------------------------------------------------------------|



| Color                                        | Item no.        | Pack.-unit | Color                                                                         | Item no.        | Pack.-unit | Color                                           | Item no.        | Pack.-unit |
|----------------------------------------------|-----------------|------------|-------------------------------------------------------------------------------|-----------------|------------|-------------------------------------------------|-----------------|------------|
| <b>Distribution boxes, separate circuits</b> |                 |            | <b>Distribution boxes, blind control, single-pole switch and distribution</b> |                 |            | <b>Distribution boxes, 1-phase distribution</b> |                 |            |
| black                                        | 770-631/106-000 | 1          | black                                                                         | 770-631/107-000 | 1          | black                                           | 770-631/104-000 | 1          |
| white                                        | 770-681/106-000 | 1          | white                                                                         | 770-681/107-000 | 1          | white                                           | 770-681/104-000 | 1          |



| Color                                                   | Item no.        | Pack.-unit | Color                                                       | Item no.        | Pack.-unit | Color                                                          | Item no.        | Pack.-unit |
|---------------------------------------------------------|-----------------|------------|-------------------------------------------------------------|-----------------|------------|----------------------------------------------------------------|-----------------|------------|
| <b>Distribution boxes, 3-phase/1-phase distribution</b> |                 |            | <b>Distribution boxes, series circuits and distribution</b> |                 |            | <b>Distribution boxes, single-pole switch and distribution</b> |                 |            |
| black                                                   | 770-631/100-000 | 1          | black                                                       | 770-631/109-000 | 1          | black                                                          | 770-631/110-000 | 1          |
| white                                                   | 770-681/100-000 | 1          | white                                                       | 770-681/109-000 | 1          | white                                                          | 770-681/110-000 | 1          |



| Color                                                       | Item no.        | Pack.-unit | Color                                          | Item no.        | Pack.-unit | Color                                           | Item no.        | Pack.-unit |
|-------------------------------------------------------------|-----------------|------------|------------------------------------------------|-----------------|------------|-------------------------------------------------|-----------------|------------|
| <b>Distribution boxes, two-way circuit and distribution</b> |                 |            | <b>Distribution boxes, push button version</b> |                 |            | <b>Distribution boxes, surge switch circuit</b> |                 |            |
| black                                                       | 770-631/111-000 | 1          | black                                          | 770-631/112-000 | 1          | black                                           | 770-632/138-000 | 1          |
| white                                                       | 770-681/111-000 | 1          | white                                          | 770-681/112-000 | 1          | white                                           | 770-682/138-000 | 1          |

Other circuits available upon request

## Strain Relief Housings, 6 Poles

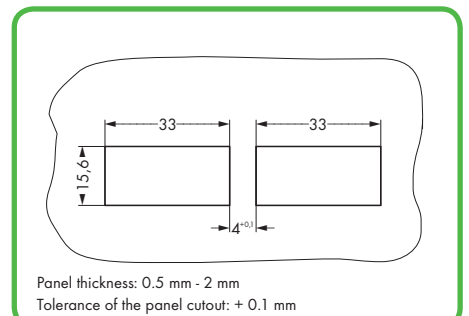
Snap-on type strain relief housings for

- two 3-pole sockets
- two 3-pole plugs
- 3-pole socket and 3-pole plug



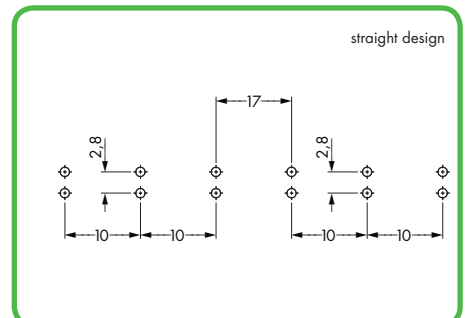
Application example of a 6-pole connector.

| Description                   | Color                                                                                  | Item no.        | Pack-unit |
|-------------------------------|----------------------------------------------------------------------------------------|-----------------|-----------|
| <b>Strain relief housings</b> | <b>Strain relief housings, for 2 cables, diameter 8.5 - 13,5 mm / 0.33 - 0.53 in ①</b> |                 |           |
|                               | black                                                                                  | 770-506/029-000 | 50        |
|                               | white                                                                                  | 770-516/029-000 | 50        |



If the 6-pole strain relief housing is used with snap-in connectors, the sheet cutouts have to be made as described above.

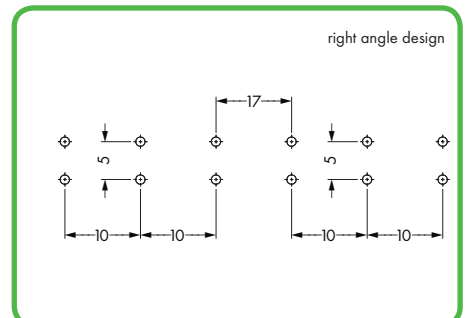
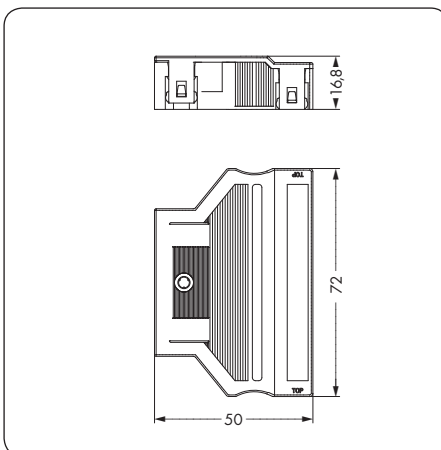
| Accessories                                                                               |                     |                |     |
|-------------------------------------------------------------------------------------------|---------------------|----------------|-----|
| <b>Marker strips, self-adhesive,</b><br>on DIN A 1 card,<br>strip length 182 mm / 7.16 in | 6 mm / 0.23 in high | <b>210-333</b> | 100 |
| Size of the marker field 62 x 6.5 mm / 2.44 x 0.25 in                                     |                     |                |     |



When using a 6-pole PCB connector, straight type, observe the above hole patterns.

| Info | Dimensions (in mm) |
|------|--------------------|
|------|--------------------|

① For H05VV and NYM cables  
Other cables on request



When using a 6-pole PCB connector, angled type, observe the above hole patterns.



3

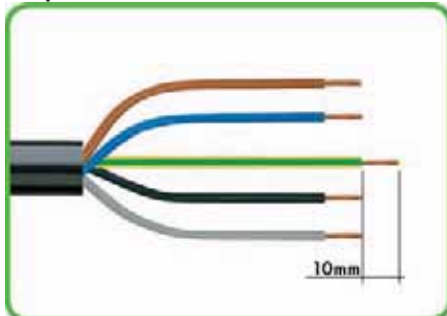


831 Series  
Socket, 5 poles  
Plug, 5 poles

84  
84

# Handling WINSTA® MAXI 831 Series

## Preparation



The following lengths are recommended:

1. Strip length, outer insulation = 80 mm/3.15 in
2. Strip length = 13 mm/0.51 in
3. PE conductor protruding = 10 mm/0.32 in

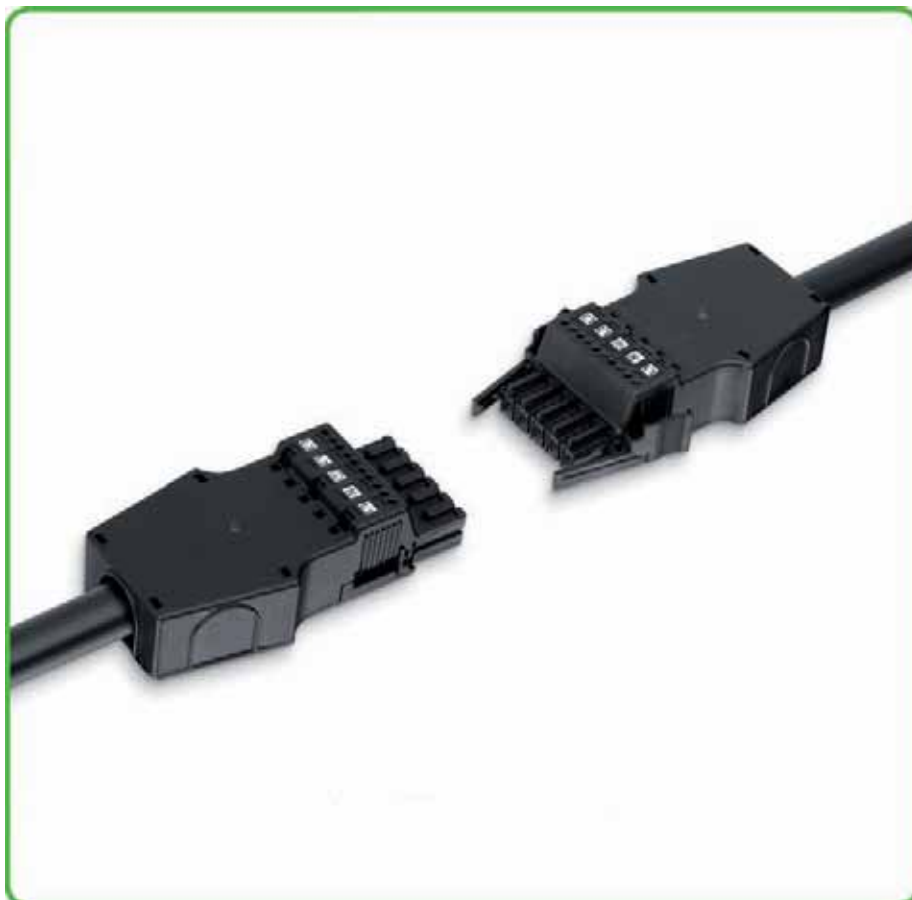


Actuate the clamp using a screwdriver (blade width 5.5) to connect flexible conductors and insert the stripped conductor up to the stop.

## Strain relief mounting



Unscrew strain relief from the lower part of the housing . . .



. . . and snap wired connector onto the lower part.



Tighten strain relief with screwdriver.

## Strain relief mounting



Wired connector with lower part of the strain relief housing.



Latch the top of the strain relief housing.

## Marking



The printed marking of the connector is clearly visible in the opening of the strain relief housing.



# WINSTA® MAXI

for Use in Distribution Boxes  
(custom versions on request)



WINSTA®- The perfect connection!

# 4



**774 Series**  
Cable Assemblies 3 x 1.5 mm<sup>2</sup>/AWG 16  
Cable Assemblies 3 x 2.5 mm<sup>2</sup>/AWG 14

88  
89




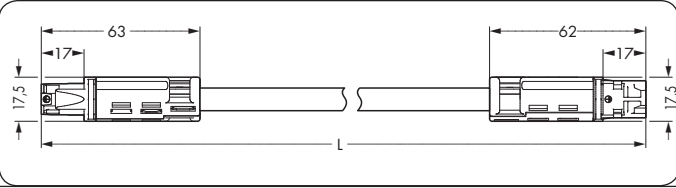

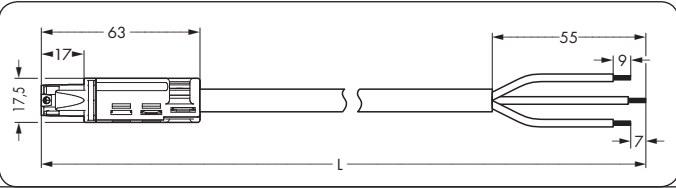

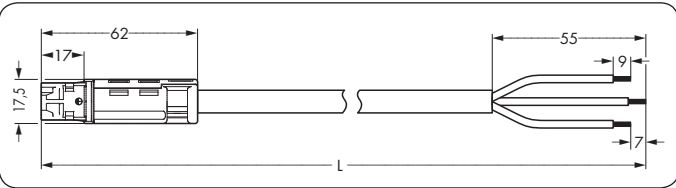
**774 Series**  
Cable Assemblies 4 x 1.5 mm<sup>2</sup>/AWG 16


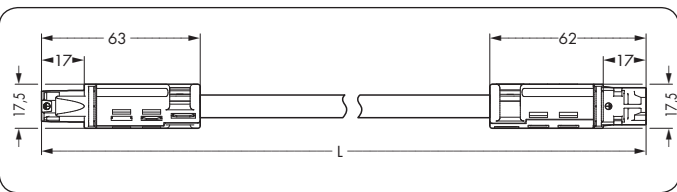

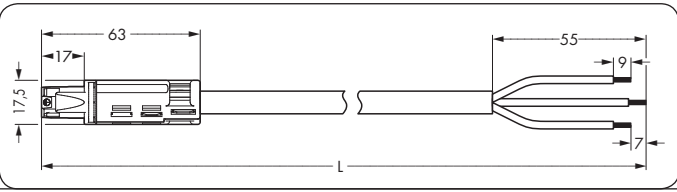

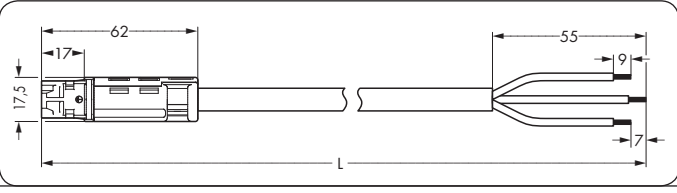
90


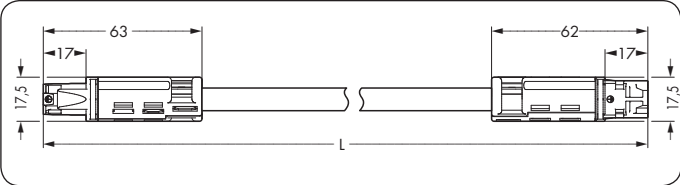

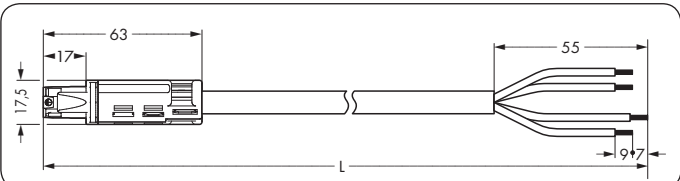

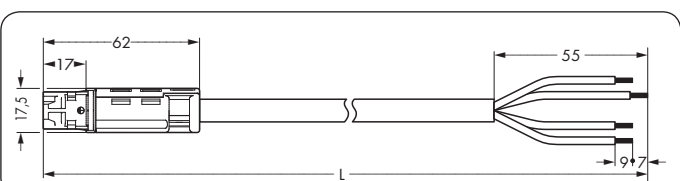




**WINSTA® - The perfect connection!**

|                                                                                                                                                                                                                                                                                                                             |  |                                                                                                                                  |                  |                |                  |                |
|-----------------------------------------------------------------------------------------------------------------------------------------------------------------------------------------------------------------------------------------------------------------------------------------------------------------------------|--|----------------------------------------------------------------------------------------------------------------------------------|------------------|----------------|------------------|----------------|
|                                                                                                                                                                                                                                                                                                                             |  | PVC H05VV-F 3G1.5<br>halogen-free H05Z1Z1-F 3G1.5<br><br>250 V/4 kV/3 16 A<br><br>Wire ends bonded 9 mm / 0.35 in<br>① Approvals |                  |                |                  |                |
| Interconnecting cables, socket with LL ② - plug                                                                                                                                                                                                                                                                             |  | Length                                                                                                                           | Item no. black   | Item no. white | Item no. black   | Item no. white |
|                                                                                                                                                                                                                                            |  | Coding A                                                                                                                         | ● ○              |                | PVC halogen-free |                |
|                                                                                                                                                                                                                                             |  | 1 m                                                                                                                              | 774-9993/006-101 | .../006-102    | 774-9993/016-101 | .../016-102    |
|                                                                                                                                                                                                                                                                                                                             |  | 2 m                                                                                                                              | 774-9993/006-201 | .../006-202    | 774-9993/016-201 | .../016-202    |
|                                                                                                                                                                                                                                                                                                                             |  | 3 m                                                                                                                              | 774-9993/006-301 | .../006-302    | 774-9993/016-301 | .../016-302    |
|                                                                                                                                                                                                                                                                                                                             |  | 4 m                                                                                                                              | 774-9993/006-401 | .../006-402    | 774-9993/016-401 | .../016-402    |
|                                                                                                                                                                                                                                                                                                                             |  | 5 m                                                                                                                              | 774-9993/006-501 | .../006-502    | 774-9993/016-501 | .../016-502    |
|                                                                                                                                                                                                                                                                                                                             |  | 6 m                                                                                                                              | 774-9993/006-601 | .../006-602    | 774-9993/016-601 | .../016-602    |
|                                                                                                                                                                                                                                                                                                                             |  | 7 m                                                                                                                              | 774-9993/006-701 | .../006-702    | 774-9993/016-701 | .../016-702    |
|                                                                                                                                                                                                                                                                                                                             |  | 8 m                                                                                                                              | 774-9993/006-801 | .../006-802    | 774-9993/016-801 | .../016-802    |
| Connecting cables, socket with LL ② - free end                                                                                                                                                                                                                                                                              |  | Length                                                                                                                           | Item no. black   | Item no. white | Item no. black   | Item no. white |
|                                                                                                                                                                                                                                           |  | Coding A                                                                                                                         | ● ○              |                | PVC halogen-free |                |
|                                                                                                                                                                                                                                           |  | 1 m                                                                                                                              | 774-9993/106-101 | .../106-102    | 774-9993/116-101 | .../116-102    |
|                                                                                                                                                                                                                                                                                                                             |  | 2 m                                                                                                                              | 774-9993/106-201 | .../106-202    | 774-9993/116-201 | .../116-202    |
|                                                                                                                                                                                                                                                                                                                             |  | 3 m                                                                                                                              | 774-9993/106-301 | .../106-302    | 774-9993/116-301 | .../116-302    |
|                                                                                                                                                                                                                                                                                                                             |  | 4 m                                                                                                                              | 774-9993/106-401 | .../106-402    | 774-9993/116-401 | .../116-402    |
|                                                                                                                                                                                                                                                                                                                             |  | 5 m                                                                                                                              | 774-9993/106-501 | .../106-502    | 774-9993/116-501 | .../116-502    |
|                                                                                                                                                                                                                                                                                                                             |  | 6 m                                                                                                                              | 774-9993/106-601 | .../106-602    | 774-9993/116-601 | .../116-602    |
|                                                                                                                                                                                                                                                                                                                             |  | 7 m                                                                                                                              | 774-9993/106-701 | .../106-702    | 774-9993/116-701 | .../116-702    |
|                                                                                                                                                                                                                                                                                                                             |  | 8 m                                                                                                                              | 774-9993/106-801 | .../106-802    | 774-9993/116-801 | .../116-802    |
| Connecting cables, plug - free end                                                                                                                                                                                                                                                                                          |  | Length                                                                                                                           | Item no. black   | Item no. white | Item no. black   | Item no. white |
|                                                                                                                                                                                                                                          |  | Coding A                                                                                                                         | ● ○              |                | PVC halogen-free |                |
|                                                                                                                                                                                                                                           |  | 1 m                                                                                                                              | 774-9993/206-101 | .../206-102    | 774-9993/216-101 | .../216-102    |
|                                                                                                                                                                                                                                                                                                                             |  | 2 m                                                                                                                              | 774-9993/206-201 | .../206-202    | 774-9993/216-201 | .../216-202    |
|                                                                                                                                                                                                                                                                                                                             |  | 3 m                                                                                                                              | 774-9993/206-301 | .../206-302    | 774-9993/216-301 | .../216-302    |
|                                                                                                                                                                                                                                                                                                                             |  | 4 m                                                                                                                              | 774-9993/206-401 | .../206-402    | 774-9993/216-401 | .../216-402    |
|                                                                                                                                                                                                                                                                                                                             |  | 5 m                                                                                                                              | 774-9993/206-501 | .../206-502    | 774-9993/216-501 | .../216-502    |
|                                                                                                                                                                                                                                                                                                                             |  | 6 m                                                                                                                              | 774-9993/206-601 | .../206-602    | 774-9993/216-601 | .../216-602    |
|                                                                                                                                                                                                                                                                                                                             |  | 7 m                                                                                                                              | 774-9993/206-701 | .../206-702    | 774-9993/216-701 | .../216-702    |
|                                                                                                                                                                                                                                                                                                                             |  | 8 m                                                                                                                              | 774-9993/206-801 | .../206-802    | 774-9993/216-801 | .../216-802    |
| Info                                                                                                                                                                                                                                                                                                                        |  |                                                                                                                                  |                  |                |                  |                |
| ① Approval data can be found in the online catalog at <a href="http://www.wagocatalog.com">www.wagocatalog.com</a><br><br>② LL = Locking lever<br><br>Other cables on request<br><br>● black Coding A (L ⊕ N)<br>○ white Coding A (L ⊕ N)<br><br>Please find some information on the different codings on pages 146 and 147 |  |                                                                                                                                  |                  |                |                  |                |

|                                                                                     |                   | PVC H05VV-F 3G2.5<br>halogen-free H05Z1Z1-F 3G2.5<br><br>250 V/4 kV/3 20 A<br><br>Wire ends bonded 9 mm / 0.35 in<br>① Approvals |                  |                |                  |                |
|-------------------------------------------------------------------------------------|-------------------|----------------------------------------------------------------------------------------------------------------------------------|------------------|----------------|------------------|----------------|
| <b>Interconnecting cables, socket with LL Ⓢ - plug</b>                              |                   | Length                                                                                                                           | Item no. black   | Item no. white | Item no. black   | Item no. white |
|    |                   | Coding A                                                                                                                         | ● ○              |                | PVC halogen-free |                |
|    |                   | 1 m                                                                                                                              | 774-9993/007-101 | .../007-102    | 774-9993/017-101 | .../017-102    |
|                                                                                     |                   | 2 m                                                                                                                              | 774-9993/007-201 | .../007-202    | 774-9993/017-201 | .../017-202    |
|                                                                                     |                   | 3 m                                                                                                                              | 774-9993/007-301 | .../007-302    | 774-9993/017-301 | .../017-302    |
|                                                                                     |                   | 4 m                                                                                                                              | 774-9993/007-401 | .../007-402    | 774-9993/017-401 | .../017-402    |
|                                                                                     |                   | 5 m                                                                                                                              | 774-9993/007-501 | .../007-502    | 774-9993/017-501 | .../017-502    |
|                                                                                     |                   | 6 m                                                                                                                              | 774-9993/007-601 | .../007-602    | 774-9993/017-601 | .../017-602    |
|                                                                                     |                   | 7 m                                                                                                                              | 774-9993/007-701 | .../007-702    | 774-9993/017-701 | .../017-702    |
|                                                                                     |                   | 8 m                                                                                                                              | 774-9993/007-801 | .../007-802    | 774-9993/017-801 | .../017-802    |
| <b>Connecting cables, socket with LL Ⓢ - free end</b>                               |                   | Length                                                                                                                           | Item no. black   | Item no. white | Item no. black   | Item no. white |
|    |                   | Coding A                                                                                                                         | ● ○              |                | PVC halogen-free |                |
|  |                   | 1 m                                                                                                                              | 774-9993/107-101 | .../107-102    | 774-9993/117-101 | .../117-102    |
|                                                                                     |                   | 2 m                                                                                                                              | 774-9993/107-201 | .../107-202    | 774-9993/117-201 | .../117-202    |
|                                                                                     |                   | 3 m                                                                                                                              | 774-9993/107-301 | .../107-302    | 774-9993/117-301 | .../117-302    |
|                                                                                     |                   | 4 m                                                                                                                              | 774-9993/107-401 | .../107-402    | 774-9993/117-401 | .../117-402    |
|                                                                                     |                   | 5 m                                                                                                                              | 774-9993/107-501 | .../107-502    | 774-9993/117-501 | .../117-502    |
|                                                                                     |                   | 6 m                                                                                                                              | 774-9993/107-601 | .../107-602    | 774-9993/117-601 | .../117-602    |
|                                                                                     |                   | 7 m                                                                                                                              | 774-9993/107-701 | .../107-702    | 774-9993/117-701 | .../117-702    |
|                                                                                     |                   | 8 m                                                                                                                              | 774-9993/107-801 | .../107-802    | 774-9993/117-801 | .../117-802    |
| <b>Connecting cables, plug - free end</b>                                           |                   | Length                                                                                                                           | Item no. black   | Item no. white | Item no. black   | Item no. white |
|  |                   | Coding A                                                                                                                         | ● ○              |                | PVC halogen-free |                |
|  |                   | 1 m                                                                                                                              | 774-9993/207-101 | .../207-102    | 774-9993/217-101 | .../217-102    |
|                                                                                     |                   | 2 m                                                                                                                              | 774-9993/207-201 | .../207-202    | 774-9993/217-201 | .../217-202    |
|                                                                                     |                   | 3 m                                                                                                                              | 774-9993/207-301 | .../207-302    | 774-9993/217-301 | .../217-302    |
|                                                                                     |                   | 4 m                                                                                                                              | 774-9993/207-401 | .../207-402    | 774-9993/217-401 | .../217-402    |
|                                                                                     |                   | 5 m                                                                                                                              | 774-9993/207-501 | .../207-502    | 774-9993/217-501 | .../217-502    |
|                                                                                     |                   | 6 m                                                                                                                              | 774-9993/207-601 | .../207-602    | 774-9993/217-601 | .../217-602    |
|                                                                                     |                   | 7 m                                                                                                                              | 774-9993/207-701 | .../207-702    | 774-9993/217-701 | .../217-702    |
|                                                                                     |                   | 8 m                                                                                                                              | 774-9993/207-801 | .../207-802    | 774-9993/217-801 | .../217-802    |
| <b>Lengths</b>                                                                      | <b>Pack.-unit</b> |                                                                                                                                  |                  |                |                  |                |
| 1 m                                                                                 | 50                |                                                                                                                                  |                  |                |                  |                |
| 2, 3, 4 m                                                                           | 25                |                                                                                                                                  |                  |                |                  |                |
| 5, 6 m                                                                              | 15                |                                                                                                                                  |                  |                |                  |                |
| 7, 8 m                                                                              | 10                |                                                                                                                                  |                  |                |                  |                |
| Other lengths on request                                                            |                   |                                                                                                                                  |                  |                |                  |                |

|                                                                                                                                                                                                                                                                                                                                 |  |                                                                                                                                  |                  |                |                  |                |
|---------------------------------------------------------------------------------------------------------------------------------------------------------------------------------------------------------------------------------------------------------------------------------------------------------------------------------|--|----------------------------------------------------------------------------------------------------------------------------------|------------------|----------------|------------------|----------------|
|                                                                                                                                                                                                                                                                                                                                 |  | PVC H05VV-F 4G1.5<br>halogen-free H05Z1Z1-F 4G1.5<br><br>250 V/4 kV/3 16 A<br><br>Wire ends bonded 9 mm / 0.35 in<br>① Approvals |                  |                |                  |                |
| Interconnecting cables, socket with LL ② - plug                                                                                                                                                                                                                                                                                 |  | Length                                                                                                                           | Item no. black   | Item no. white | Item no. black   | Item no. white |
|                                                                                                                                                                                                                                                |  | Coding A                                                                                                                         | ● ○              |                | PVC halogen-free |                |
|                                                                                                                                                                                                                                                 |  | 1 m                                                                                                                              | 774-9994/006-101 | .../006-102    | 774-9994/016-101 | .../016-102    |
|                                                                                                                                                                                                                                                                                                                                 |  | 2 m                                                                                                                              | 774-9994/006-201 | .../006-202    | 774-9994/016-201 | .../016-202    |
|                                                                                                                                                                                                                                                                                                                                 |  | 3 m                                                                                                                              | 774-9994/006-301 | .../006-302    | 774-9994/016-301 | .../016-302    |
|                                                                                                                                                                                                                                                                                                                                 |  | 4 m                                                                                                                              | 774-9994/006-401 | .../006-402    | 774-9994/016-401 | .../016-402    |
|                                                                                                                                                                                                                                                                                                                                 |  | 5 m                                                                                                                              | 774-9994/006-501 | .../006-502    | 774-9994/016-501 | .../016-502    |
|                                                                                                                                                                                                                                                                                                                                 |  | 6 m                                                                                                                              | 774-9994/006-601 | .../006-602    | 774-9994/016-601 | .../016-602    |
|                                                                                                                                                                                                                                                                                                                                 |  | 7 m                                                                                                                              | 774-9994/006-701 | .../006-702    | 774-9994/016-701 | .../016-702    |
|                                                                                                                                                                                                                                                                                                                                 |  | 8 m                                                                                                                              | 774-9994/006-801 | .../006-802    | 774-9994/016-801 | .../016-802    |
| Connecting cables, socket with LL ② - free end                                                                                                                                                                                                                                                                                  |  | Length                                                                                                                           | Item no. black   | Item no. white | Item no. black   | Item no. white |
|                                                                                                                                                                                                                                               |  | Coding A                                                                                                                         | ● ○              |                | PVC halogen-free |                |
|                                                                                                                                                                                                                                               |  | 1 m                                                                                                                              | 774-9994/106-101 | .../106-102    | 774-9994/116-101 | .../116-102    |
|                                                                                                                                                                                                                                                                                                                                 |  | 2 m                                                                                                                              | 774-9994/106-201 | .../106-202    | 774-9994/116-201 | .../116-202    |
|                                                                                                                                                                                                                                                                                                                                 |  | 3 m                                                                                                                              | 774-9994/106-301 | .../106-302    | 774-9994/116-301 | .../116-302    |
|                                                                                                                                                                                                                                                                                                                                 |  | 4 m                                                                                                                              | 774-9994/106-401 | .../106-402    | 774-9994/116-401 | .../116-402    |
|                                                                                                                                                                                                                                                                                                                                 |  | 5 m                                                                                                                              | 774-9994/106-501 | .../106-502    | 774-9994/116-501 | .../116-502    |
|                                                                                                                                                                                                                                                                                                                                 |  | 6 m                                                                                                                              | 774-9994/106-601 | .../106-602    | 774-9994/116-601 | .../116-602    |
|                                                                                                                                                                                                                                                                                                                                 |  | 7 m                                                                                                                              | 774-9994/106-701 | .../106-702    | 774-9994/116-701 | .../116-702    |
|                                                                                                                                                                                                                                                                                                                                 |  | 8 m                                                                                                                              | 774-9994/106-801 | .../106-802    | 774-9994/116-801 | .../116-802    |
| Connecting cables, plug - free end                                                                                                                                                                                                                                                                                              |  | Length                                                                                                                           | Item no. black   | Item no. white | Item no. black   | Item no. white |
|                                                                                                                                                                                                                                              |  | Coding A                                                                                                                         | ● ○              |                | PVC halogen-free |                |
|                                                                                                                                                                                                                                               |  | 1 m                                                                                                                              | 774-9994/206-101 | .../206-102    | 774-9994/216-101 | .../216-102    |
|                                                                                                                                                                                                                                                                                                                                 |  | 2 m                                                                                                                              | 774-9994/206-201 | .../206-202    | 774-9994/216-201 | .../216-202    |
|                                                                                                                                                                                                                                                                                                                                 |  | 3 m                                                                                                                              | 774-9994/206-301 | .../206-302    | 774-9994/216-301 | .../216-302    |
|                                                                                                                                                                                                                                                                                                                                 |  | 4 m                                                                                                                              | 774-9994/206-401 | .../206-402    | 774-9994/216-401 | .../216-402    |
|                                                                                                                                                                                                                                                                                                                                 |  | 5 m                                                                                                                              | 774-9994/206-501 | .../206-502    | 774-9994/216-501 | .../216-502    |
|                                                                                                                                                                                                                                                                                                                                 |  | 6 m                                                                                                                              | 774-9994/206-601 | .../206-602    | 774-9994/216-601 | .../216-602    |
|                                                                                                                                                                                                                                                                                                                                 |  | 7 m                                                                                                                              | 774-9994/206-701 | .../206-702    | 774-9994/216-701 | .../216-702    |
|                                                                                                                                                                                                                                                                                                                                 |  | 8 m                                                                                                                              | 774-9994/206-801 | .../206-802    | 774-9994/216-801 | .../216-802    |
| Info                                                                                                                                                                                                                                                                                                                            |  | Lengths                                                                                                                          |                  | Pack.-unit     |                  |                |
| ① Approval data can be found in the online catalog at <a href="http://www.wagocatalog.com">www.wagocatalog.com</a><br><br>② LL = Locking lever<br><br>Other cables on request<br><br>● black Coding A (N ⊕ 2 1)<br>○ white Coding A (N ⊕ 2 1)<br><br>Please find some information on the different codings on pages 146 and 147 |  | 1 m                                                                                                                              |                  | 50             |                  |                |
|                                                                                                                                                                                                                                                                                                                                 |  | 2, 3, 4 m                                                                                                                        |                  | 25             |                  |                |
|                                                                                                                                                                                                                                                                                                                                 |  | 5, 6 m                                                                                                                           |                  | 15             |                  |                |
|                                                                                                                                                                                                                                                                                                                                 |  | 7, 8 m                                                                                                                           |                  | 10             |                  |                |
|                                                                                                                                                                                                                                                                                                                                 |  | Other lengths on request                                                                                                         |                  |                |                  |                |



## 5



893 Series  
Connectors, 2 Poles

94 – 95



893 Series  
Snap-In Device Connectors, 2 Poles

96



893 Series  
T-Distribution Connectors

98 – 99



894 Series  
Cable Assemblies 2 x Ø 0.8 mm / 0.031 in

100 – 101

# Handling WINSTA® KNX 893 Series

## Preparation

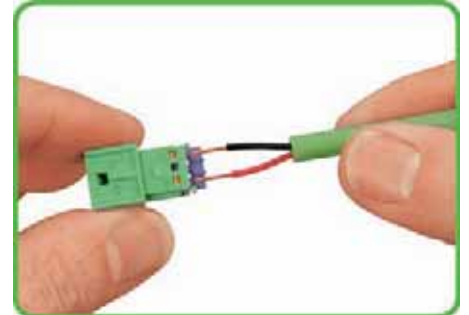


- 1. Strip length, outer insulation = 23 mm / 0.9 in
- 2. Strip length = 9 mm / 0.35 in

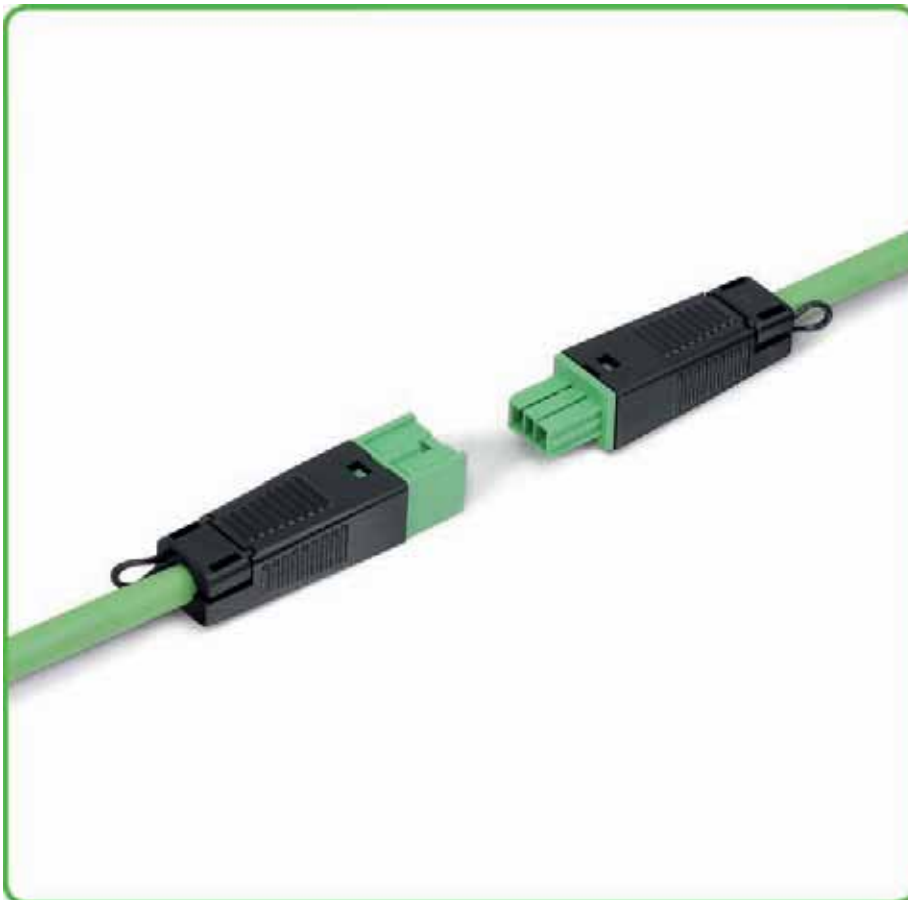
## Conductor connection



Prior to conductor connection, slide the strain relief housing over the cable.



Insert stripped wire directly into the conductor entry ...



... and push it in up to the stop.



To disconnect, open the clamping springs with the orange actuator and pull off the conductors.

## Strain relief assembly



Snap wired connector into the strain relief housing.



Press strain relief firmly on the cable.



Pre-assembled KNX connector






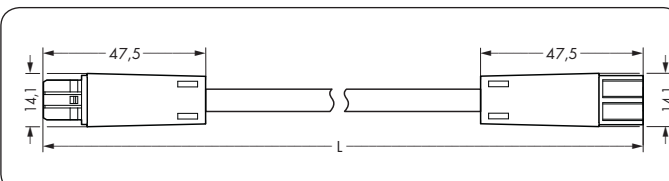

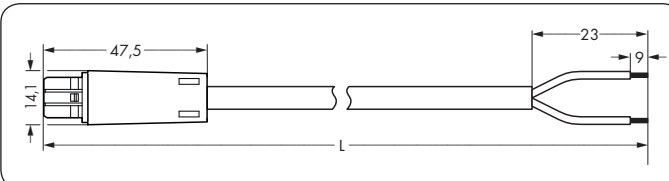

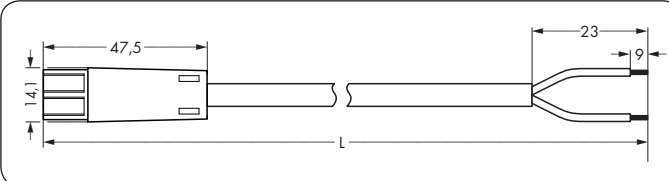






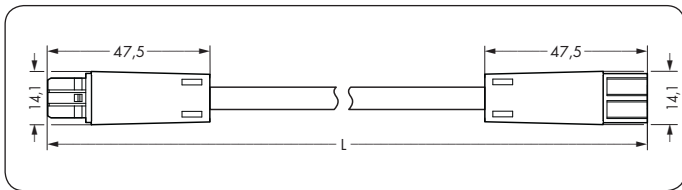
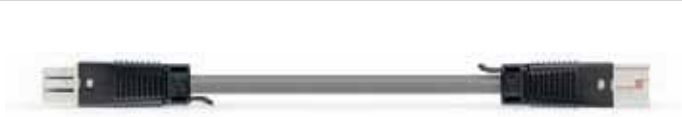




|                                                                                                                                                                                                                                                                                                                                                                                                                  |                                                                                                                                                                            |
|------------------------------------------------------------------------------------------------------------------------------------------------------------------------------------------------------------------------------------------------------------------------------------------------------------------------------------------------------------------------------------------------------------------|----------------------------------------------------------------------------------------------------------------------------------------------------------------------------|
|                                                                                                                                                                                                                                                                                                                                                                                                                  | <p>PVC 2Y(ST)2x(2x0.8)</p> <p>50 V/0.8 kV/3 3 A</p> <p>📌 Approvals</p>                                                                                                     |
| <p>Interconnecting cables, socket - plug</p>                                                                                                                                                                                                                                                                                                                                                                     | <p>Length Item no.</p>                                                                                                                                                     |
|                                                                                                                                                                                                                                                 | <p>Coding E, <span style="color: green;">●</span><br/>for KNX applications<br/>PVC</p> <p>1 m 894-8992/033-106</p> <p>3 m 894-8992/033-306</p> <p>5 m 894-8992/033-506</p> |
| <p>Connecting cables, socket - free end</p>                                                                                                                                                                                                                                                                                                                                                                      | <p>Length Item no.</p>                                                                                                                                                     |
|                                                                                                                                                                                                                                              | <p>Coding E, <span style="color: green;">●</span><br/>for KNX applications<br/>PVC</p> <p>1 m 894-8992/133-106</p> <p>3 m 894-8992/133-306</p> <p>5 m 894-8992/133-506</p> |
| <p>Connecting cables, plug - free end</p>                                                                                                                                                                                                                                                                                                                                                                        | <p>Length Item no.</p>                                                                                                                                                     |
|                                                                                                                                                                                                                                             | <p>Coding E, <span style="color: green;">●</span><br/>for KNX applications<br/>PVC</p> <p>1 m 894-8992/233-106</p> <p>3 m 894-8992/233-306</p> <p>5 m 894-8992/233-506</p> |
| <p>Info</p>                                                                                                                                                                                                                                                                                                                                                                                                      |                                                                                                                                                                            |
| <div style="border: 2px solid green; padding: 10px;"> <p>📌 Approval data can be found in the online catalog at <a href="http://www.wagocatalog.com">www.wagocatalog.com</a></p> <p><span style="color: green;">●</span> green Coding E (1+ 2-)<br/> <span style="color: gray;">●</span> light gray Coding F (1+ 2-)</p> <p>Please find some information on the different codings on pages 146 and 147</p> </div> |                                                                                                                                                                            |

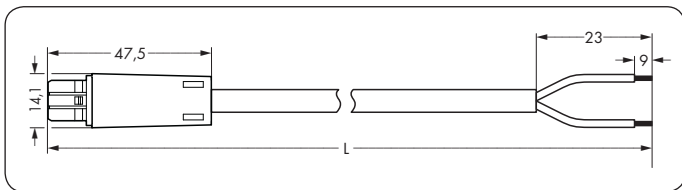
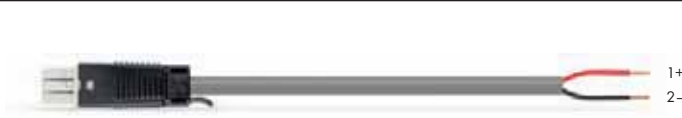
|  |                                                                        |
|--|------------------------------------------------------------------------|
|  | <p>PVC 2Y(ST)2x(2x0.8)</p> <p>50 V/0.8 kV/3 3 A</p> <p>① Approvals</p> |
|--|------------------------------------------------------------------------|

|                                              |                 |
|----------------------------------------------|-----------------|
| <b>Interconnecting cables, socket - plug</b> | Length Item no. |
|----------------------------------------------|-----------------|



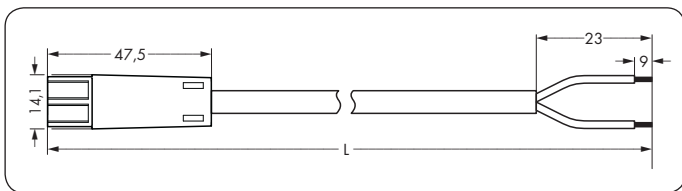
|                                 |                                     |
|---------------------------------|-------------------------------------|
| Coding F, <input type="radio"/> | for universal fieldbus applications |
| PVC                             |                                     |
| 1 m                             | 894-8992/033-107                    |
| 3 m                             | 894-8992/033-307                    |
| 5 m                             | 894-8992/033-507                    |

|                                             |                 |
|---------------------------------------------|-----------------|
| <b>Connecting cables, socket - free end</b> | Length Item no. |
|---------------------------------------------|-----------------|



|                                 |                                     |
|---------------------------------|-------------------------------------|
| Coding F, <input type="radio"/> | for universal fieldbus applications |
| PVC                             |                                     |
| 1 m                             | 894-8992/133-107                    |
| 3 m                             | 894-8992/133-307                    |
| 5 m                             | 894-8992/133-507                    |

|                                           |                 |
|-------------------------------------------|-----------------|
| <b>Connecting cables, plug - free end</b> | Length Item no. |
|-------------------------------------------|-----------------|



|                                 |                                     |
|---------------------------------|-------------------------------------|
| Coding F, <input type="radio"/> | for universal fieldbus applications |
| PVC                             |                                     |
| 1 m                             | 894-8992/233-107                    |
| 3 m                             | 894-8992/233-307                    |
| 5 m                             | 894-8992/233-507                    |

| Lengths                  | Pack.-unit |
|--------------------------|------------|
| 1 m                      | 50         |
| 3 m                      | 25         |
| 5 m                      | 15         |
| Other lengths on request |            |
|                          |            |
|                          |            |
|                          |            |
|                          |            |
|                          |            |
|                          |            |

**772 Series**

IDC Modules for Flat Cables

5 x 2.5 mm<sup>2</sup> (AWG 14) / 5 x 4 mm<sup>2</sup> (AWG 12) /5 x 2.5 mm<sup>2</sup> (AWG 14) + 2 x 1.5 mm<sup>2</sup> (AWG 16)

– Supply Module

104

– Tap-Off Modules, WINSTA® MIDI Connectors

105

**893 Series**

IDC Modules for Flat Cables

5 x 2.5 mm<sup>2</sup> (AWG 14) + 2 x 1.5 mm<sup>2</sup> (AWG 16) / 2 x 1.5 mm<sup>2</sup> (AWG 16)

– Supply Modules (KNX and Special Coding)

108, 112

– Tap-Off Modules (KNX and Special Coding)

109, 113

**896 Series**IDC Modules for Flat Cable 3 x 2.5 mm<sup>2</sup>/AWG 14

– Supply and Tap-Off Modules

116, 117

**895 Series**POWERBLOCK 10 for Flat Cable 5 x 10 mm<sup>2</sup>/AWG 8

– Supply and Tap-Off Modules

118, 119

**895 Series**POWERBLOCK 16 for Flat Cable 5 x 16 mm<sup>2</sup>/AWG 6

– Supply and Tap-Off Modules

120, 121

**897 Series**Flat Cable 2 x 1.5 mm<sup>2</sup>/AWG 16

114

Flat Cable 5 x 2.5 mm<sup>2</sup>/AWG 14

106

Flat Cable 5 x 4 mm<sup>2</sup>/AWG 12

107

Flat Cable 5 x 2.5 mm<sup>2</sup>/AWG 14 + 5 x 1.5 mm<sup>2</sup>/AWG 16

107, 110

**Important note:**

The WINSTA IDC system consists of the flat cables and the appropriate WINSTA connection components that are described in this catalog and marked with "WAGO".

WAGO warrants the fault-free function of the WINSTA IDC System only where original WINSTA components are utilized.



# Handling WINSTA® IDC 772 Series

## Module positioning and contacting



Insert flat cable into bottom part (observe coding!).



Mount IDC module flush with the bottom part. Should the IDC module jam during mounting, turn the upper part by 180° and remount it.



Screw down contact elements up to the stop.

## Module positioning and contacting



Connecting an installation cable to the supply module. Stripped solid wires can be connected by simply pushing them in. When using stripped fine-stranded wires, open clamping unit using a screwdriver.

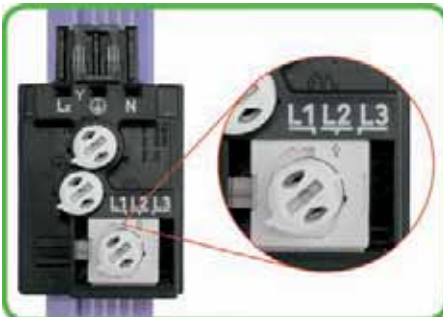


Fixing the supply cable using strain relief housing.

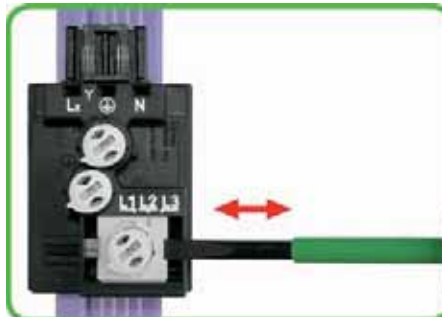


Tighten the strain relief screw using a screwdriver

## Phase selection



The phase selector is in position L2 (center) when delivered.



Move the phase selector into position L1 or L3 if required.

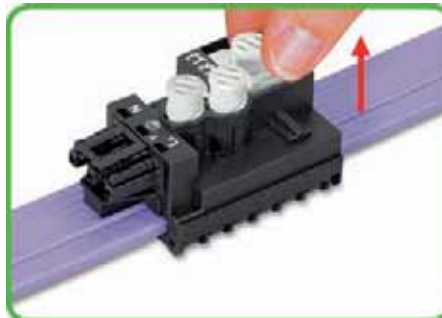


After connecting the flat cable, the IDC module is locked and can no longer be moved, even after unscrewing the contact element!

## Phase selection



**NOTICE:** Should it be necessary to tap another phase, this must be done in a different location. To do so, the contact elements must be unscrewed and brought back to their original position.



Lifting the contact elements unlocks the IDC module which makes it possible to move it and to select the new phase. **NOTICE:** Do not use it in the same location of the flat cable!

## Isolating tape



After removing the module, the contact holes in the flat cable must be sealed using the insulating tape.

## 772 Series Supply Module with Strain Relief Housing, 5 Poles

2 x 0.5 – 4 mm<sup>2</sup> ①  
400 V/6 kV/3  
25 A



2 x AWG 20 - 12

 9 mm / 0.35 in

② Approvals



| Description                                                                                         | Color                                                                                    | Item no. | Pack.-unit |
|-----------------------------------------------------------------------------------------------------|------------------------------------------------------------------------------------------|----------|------------|
| Supply module, 5 poles,<br>Tap-off module with phase selection, 3 poles,<br>Tap-off module, 5 poles | Supply module with strain relief housing ②,<br>cable diameter 9 - 13 mm / 0.35 - 0.51 in |          |            |
|                                                                                                     | black                                                                                    | 772-261  | 25         |
|                                                                                                     | red                                                                                      | 772-267  | 25         |
|                                                                                                     | for flat cables<br>see pages 106 and 107                                                 |          |            |

| Accessories                                                                         |       |         |     |
|-------------------------------------------------------------------------------------|-------|---------|-----|
| Mounting plate, for power supply and tap-off modules                                |       |         |     |
|  | black | 772-260 | 25  |
| Fixing pin, for mounting plates,<br>6.1 x 2.5 - 4 mm/<br>0.24 x 0.098 - 0.157 in    | black | 770-601 | 250 |
|  |       |         |     |

| Info | Dimensions (in mm) |
|------|--------------------|
|------|--------------------|

① Wire range: 0.5 - 4 mm<sup>2</sup> "s + f-st"  
0.5 - 2.5 mm<sup>2</sup> "stranded"

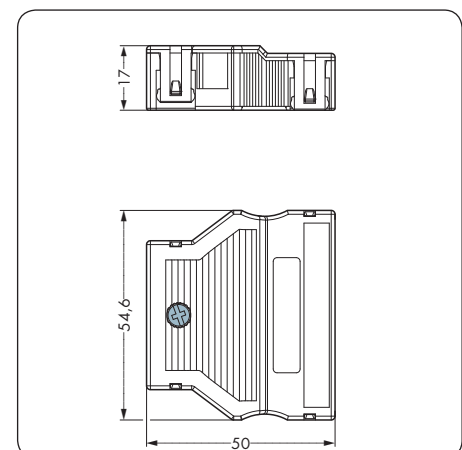
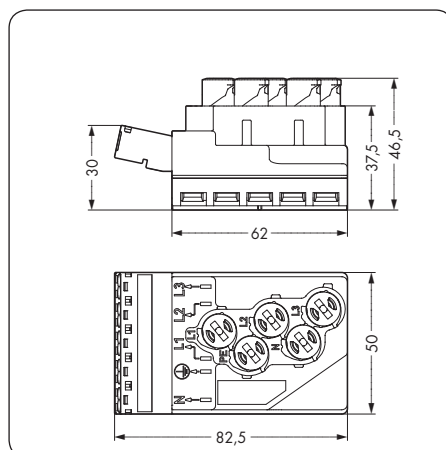
② Approval data can be found in the online catalog at [www.wagocatalog.com](http://www.wagocatalog.com)

③ Strain relief housings for larger cable diameters see page 61

Processing temperature +5 °C to +40 °C

● black Coding A (N ⊕ L1 L2 L3)  
● red Coding P (N ⊕ L1 L2 L3)

Please find some information on the different codings on the pages 146 and 147



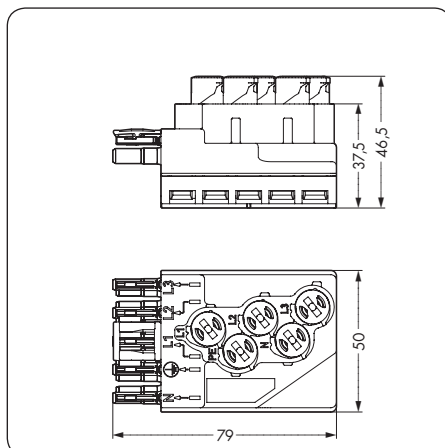
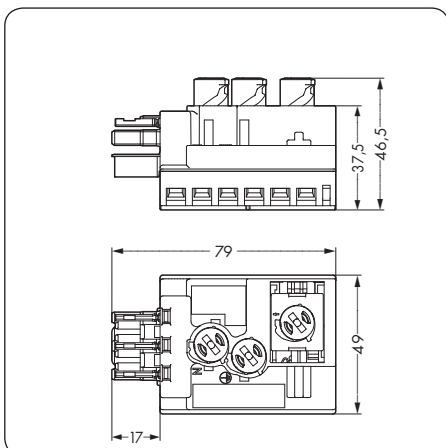
## 772 Series Tap-Off Modules, 3 and 5 Poles

|                                                         |                                         |
|---------------------------------------------------------|-----------------------------------------|
| 400 V/6 kV/3<br>250 V/4 kV/3<br>25 A<br><br>Ⓜ Approvals | 400 V/6 kV/3<br>25 A<br><br>Ⓜ Approvals |
|---------------------------------------------------------|-----------------------------------------|



| Color                                                                                                                               | Item no.       | Pack.-unit | Color                                                                                   | Item no.       | Pack.-unit |
|-------------------------------------------------------------------------------------------------------------------------------------|----------------|------------|-----------------------------------------------------------------------------------------|----------------|------------|
| <b>Tap-off module with phase selection, 3 poles,</b><br>for WINSTA® MIDI plug-in and distribution connectors,<br>supply position L2 |                |            | <b>Tap-off module, 5 poles,</b><br>for WINSTA® MIDI plug-in and distribution connectors |                |            |
| black                                                                                                                               | <b>772-263</b> | ● 25       | black                                                                                   | <b>772-262</b> | ● 25       |
| red                                                                                                                                 | <b>772-269</b> | ● 25       | red                                                                                     | <b>772-268</b> | ● 25       |
| <b>for flat cables</b><br>see pages 106 and 107                                                                                     |                |            | <b>for flat cables</b><br>see pages 106 and 107                                         |                |            |
| black                                                                                                                               | <b>772-260</b> | 25         | black                                                                                   | <b>772-260</b> | 25         |
| black                                                                                                                               | <b>770-601</b> | 250        | black                                                                                   | <b>770-601</b> | 250        |

|  |
|--|
|  |
|--|








## Series 897 Flat Cables 5 x 2.5 mm<sup>2</sup>/AWG 14

|  |                                                                                                                 |                                                                                                        |
|--|-----------------------------------------------------------------------------------------------------------------|--------------------------------------------------------------------------------------------------------|
|  | <p>Flat cable 5 x 2.5 mm<sup>2</sup>/AWG 14<br/>3L + N + PE<br/>halogen-free<br/>0.6/1kV</p> <p>① Approvals</p> | <p>Flat cable 5 x 2.5 mm<sup>2</sup>/AWG 14<br/>3L + N + PE<br/>PVC<br/>0.6/1kV</p> <p>① Approvals</p> |
|--|-----------------------------------------------------------------------------------------------------------------|--------------------------------------------------------------------------------------------------------|



| Description                                           | Color | Item no.                                                    | Pack.-unit | Color       | Item no.                                           | Pack.-unit |
|-------------------------------------------------------|-------|-------------------------------------------------------------|------------|-------------|----------------------------------------------------|------------|
| Flat cables,<br>halogen-free or PVC,<br>5 and 7 poles |       | Flat cable 5 x 2.5 mm <sup>2</sup> /AWG 14,<br>halogen-free |            |             | Flat cable 5 x 2.5 mm <sup>2</sup> /AWG 14,<br>PVC |            |
|                                                       | gray  | 897-253                                                     |            | light green | 897-251                                            |            |
|                                                       |       |                                                             |            |             |                                                    |            |
|                                                       |       |                                                             |            |             |                                                    |            |
|                                                       |       |                                                             |            |             |                                                    |            |
|                                                       |       |                                                             |            |             |                                                    |            |

### Accessories

|                                                                                                                                                                                           |             |         |    |             |         |    |
|-------------------------------------------------------------------------------------------------------------------------------------------------------------------------------------------|-------------|---------|----|-------------|---------|----|
| <p><b>Insulating tape for flat cables</b></p> <p> For sealing the contact holes in the flat cable.</p> | black       | 897-900 | 10 | black       | 897-900 | 10 |
| <p><b>Flat cable end cover, plastic</b></p> <p> Every cable end must be fitted with an end cover.</p>  | transparent | 897-250 | 10 | transparent | 897-250 | 10 |
| <p><b>Fixing clamp, plastic, for screw mounting</b></p> <p></p>                                        | gray        | 897-878 | 1  | gray        | 897-878 | 1  |
| <p><b>Stripping pliers</b></p> <p></p>                                                                 |             | 897-971 | 1  |             | 897-971 | 1  |
| <p><b>Cutter</b></p> <p></p>                                                                           |             | 897-972 | 1  |             | 897-972 | 1  |

|      |  |
|------|--|
| Info |  |
|------|--|

① Approval data can be found in the online catalog at [www.wagocatalog.com](http://www.wagocatalog.com)

### 897 Series

## Flat Cables 5 x 4 mm<sup>2</sup>/AWG 12 and 5 x 2.5 mm<sup>2</sup>/AWG 14 + 2 x 1.5 mm<sup>2</sup>/AWG 16

|                                                                                                               |                                                                                                                                                             |                                                                                                                                                     |
|---------------------------------------------------------------------------------------------------------------|-------------------------------------------------------------------------------------------------------------------------------------------------------------|-----------------------------------------------------------------------------------------------------------------------------------------------------|
| <p>Flat cable 5 x 4 mm<sup>2</sup>/AWG 12<br/>3L + N + PE<br/>halogen-free<br/>0.6/1kV</p> <p>🔌 Approvals</p> | <p>Flat cable<br/>5 x 2.5 mm<sup>2</sup>/AWG 14 + 2 x 1.5 mm<sup>2</sup>/AWG 16<br/>3L + N + PE + 2 Bus<br/>halogen-free<br/>0.6/1kV</p> <p>🔌 Approvals</p> | <p>Flat cable<br/>5 x 2.5 mm<sup>2</sup>/AWG 14 + 2 x 1.5 mm<sup>2</sup>/AWG 16<br/>3L + N + PE + 2 Bus<br/>PVCi<br/>0.6/1kV</p> <p>🔌 Approvals</p> |
|---------------------------------------------------------------------------------------------------------------|-------------------------------------------------------------------------------------------------------------------------------------------------------------|-----------------------------------------------------------------------------------------------------------------------------------------------------|



| Color                                                  | Item no. | Pack.-unit | Color                                                                                     | Item no. | Pack.-unit | Color                                                                            | Item no. | Pack.-unit |
|--------------------------------------------------------|----------|------------|-------------------------------------------------------------------------------------------|----------|------------|----------------------------------------------------------------------------------|----------|------------|
| Flat cable 5 x 4 mm <sup>2</sup> /AWG 12, halogen-free |          |            | Flat cable 5 x 2.5 mm <sup>2</sup> /AWG 14 + 2 x 1.5 mm <sup>2</sup> /AWG 16 halogen-free |          |            | Flat cable 5 x 2.5 mm <sup>2</sup> /AWG 14+ 2 x 1.5 mm <sup>2</sup> /AWG 16, PVC |          |            |
| black                                                  | 897-453  |            | violet                                                                                    | 897-262  |            | violet                                                                           | 897-261  |            |
| black                                                  | 897-900  | 10         | black                                                                                     | 897-900  | 10         | black                                                                            | 897-900  | 10         |
| transparent                                            | 897-250  | 10         | transparent                                                                               | 897-260  | 10         | transparent                                                                      | 897-260  | 10         |
| gray                                                   | 897-878  | 1          | gray                                                                                      | 897-878  | 1          | gray                                                                             | 897-878  | 1          |
|                                                        | 897-971  | 1          |                                                                                           | 897-971  | 1          |                                                                                  | 897-971  | 1          |
|                                                        | 897-972  | 1          |                                                                                           | 897-972  | 1          |                                                                                  | 897-972  | 1          |

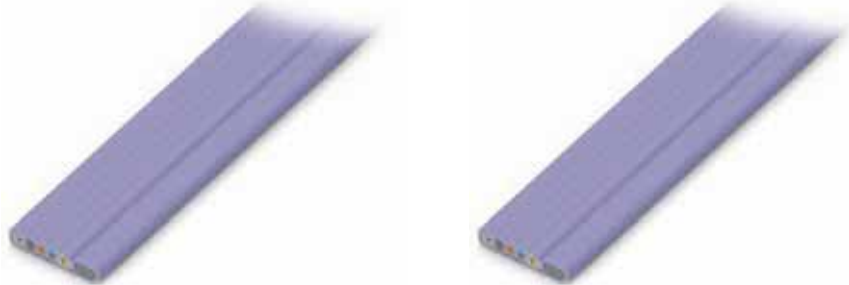
|  |
|--|
|  |
|--|










## Series 897 Flat Cables 5 x 2.5 mm<sup>2</sup>/AWG 14 + 2 x 1.5 mm<sup>2</sup>/AWG 16

|  |                                                                                                                                                  |                                                                                                                                          |
|--|--------------------------------------------------------------------------------------------------------------------------------------------------|------------------------------------------------------------------------------------------------------------------------------------------|
|  | Flat cable 5 x 2.5 mm <sup>2</sup> /AWG 14 +<br>2 x 1.5 mm <sup>2</sup> /AWG 16<br>3L + N + PE + 2 Bus<br>halogen-free<br>0.6/1kV<br>① Approvals | Flat cable 5 x 2.5 mm <sup>2</sup> /AWG 14 +<br>2 x 1.5 mm <sup>2</sup> /AWG 16<br>3L + N + PE + 2 Bus<br>PVCi<br>0.6/1kV<br>① Approvals |
|--|--------------------------------------------------------------------------------------------------------------------------------------------------|------------------------------------------------------------------------------------------------------------------------------------------|



| Description                                     | Color                                                                                        | Item no. | Pack.-unit | Color                                                                               | Item no. | Pack.-unit |
|-------------------------------------------------|----------------------------------------------------------------------------------------------|----------|------------|-------------------------------------------------------------------------------------|----------|------------|
| Flat cables,<br>halogen-free or PVC,<br>7 poles | Flat cable 5 x 2.5 mm <sup>2</sup> /AWG 14 + 2 x 1.5 mm <sup>2</sup> /AWG 16<br>halogen-free |          |            | Flat cable 5 x 2.5 mm <sup>2</sup> /AWG 14+ 2 x 1.5 mm <sup>2</sup> /AWG 16,<br>PVC |          |            |
|                                                 | violet                                                                                       | 897-262  |            | violet                                                                              | 897-261  |            |
|                                                 |                                                                                              |          |            |                                                                                     |          |            |
|                                                 |                                                                                              |          |            |                                                                                     |          |            |
|                                                 |                                                                                              |          |            |                                                                                     |          |            |
|                                                 |                                                                                              |          |            |                                                                                     |          |            |
|                                                 |                                                                                              |          |            |                                                                                     |          |            |

### Accessories

|                                                                                                                                                                                    |             |         |    |             |         |    |
|------------------------------------------------------------------------------------------------------------------------------------------------------------------------------------|-------------|---------|----|-------------|---------|----|
| <b>Insulating tape for flat cables,</b><br> For sealing the contact holes<br>in the flat cable. | black       | 897-900 | 10 | black       | 897-900 | 10 |
| <b>Flat cable end cover, plastic</b><br> Every cable end must be fitted<br>with an end cover.   | transparent | 897-260 | 10 | transparent | 897-260 | 10 |
| <b>Fixing clamp, plastic, for screw mounting</b><br>                                            | gray        | 897-878 | 1  | gray        | 897-878 | 1  |
| <b>Stripping pliers</b><br>                                                                     |             | 897-971 | 1  |             | 897-971 | 1  |
| <b>Cutter</b><br>                                                                               |             | 897-972 | 1  |             | 897-972 | 1  |

|      |  |
|------|--|
| Info |  |
|------|--|

① Approval data can be found in the online catalog at [www.wagocatalog.com](http://www.wagocatalog.com)














## Series 897 Flat Cables 2 x 1.5 mm<sup>2</sup>/AWG 16

|  |                                                                                                |                                                                                       |
|--|------------------------------------------------------------------------------------------------|---------------------------------------------------------------------------------------|
|  | Flat cable 2 x 1.5 mm <sup>2</sup> /AWG 16<br>2 Bus<br>halogen-free<br>50 V<br><br>ⓘ Approvals | Flat cable 2 x 1.5 mm <sup>2</sup> /AWG 16<br>2 Bus<br>PVC<br>50 V<br><br>ⓘ Approvals |
|--|------------------------------------------------------------------------------------------------|---------------------------------------------------------------------------------------|



| Description                                     | Color                                                      | Item no. | Pack.-unit | Color                                             | Item no. | Pack.-unit |
|-------------------------------------------------|------------------------------------------------------------|----------|------------|---------------------------------------------------|----------|------------|
| Flat cables,<br>halogen-free or PVC,<br>2 poles | Flat cable 2 x 1.5 mm <sup>2</sup> /AWG 16<br>halogen-free |          |            | Flat cable 2 x 1.5 mm <sup>2</sup> /AWG 16<br>PVC |          |            |
|                                                 | gray                                                       | 897-122  |            | gray                                              | 897-121  |            |
|                                                 |                                                            |          |            |                                                   |          |            |
|                                                 |                                                            |          |            |                                                   |          |            |
|                                                 |                                                            |          |            |                                                   |          |            |
|                                                 |                                                            |          |            |                                                   |          |            |
|                                                 |                                                            |          |            |                                                   |          |            |

### Accessories

|                                                                                                                                                                                 |             |         |    |             |         |    |
|---------------------------------------------------------------------------------------------------------------------------------------------------------------------------------|-------------|---------|----|-------------|---------|----|
| <b>Insulating tape for flat cables,</b><br> For sealing the contact holes in the flat cable. | black       | 897-900 | 10 | black       | 897-900 | 10 |
| <b>Flat cable end cover, plastic</b><br> Every cable end must be fitted with an end cover.   | transparent | 897-120 | 10 | transparent | 897-120 | 10 |
| <b>Fixing clamp, plastic, for screw mounting</b><br>                                         | gray        | 897-878 | 1  | gray        | 897-878 | 1  |
| <b>Stripping pliers</b><br>                                                                  |             | 897-971 | 1  |             | 897-971 | 1  |
| <b>Cutter</b><br>                                                                            |             | 897-972 | 1  |             | 897-972 | 1  |

|      |                    |
|------|--------------------|
| Info | Dimensions (in mm) |
|------|--------------------|

ⓘ Approval data can be found in the online catalog at [www.wagocatalog.com](http://www.wagocatalog.com)











|  |                                                                              |
|--|------------------------------------------------------------------------------|
|  | <p>Flat cable 5 x 10 mm<sup>2</sup>/AWG 8<br/>0.6/1kV</p> <p>➊ Approvals</p> |
|--|------------------------------------------------------------------------------|







Cut both sides of the outer insulation of the flat cable using a stripping knife (cutting length 30 mm!).

| Description                              | Color                                                                 | Item no. | Pack.-unit |
|------------------------------------------|-----------------------------------------------------------------------|----------|------------|
| Flat cable 5 x 10 mm <sup>2</sup> /AWG 8 | Flat cable PVC 5 x 10 mm <sup>2</sup> /AWG 8,<br>3L + N + PE          |          |            |
|                                          | light green                                                           | 897-1051 |            |
|                                          | Flat cable halogen-free 5 x 10 mm <sup>2</sup> /AWG 8,<br>3L + N + PE |          |            |
|                                          | light green                                                           | 897-1052 |            |



Cut off the outer insulation using the cutter.

| Accessories                                                                         |                                                   |             |          |    |
|-------------------------------------------------------------------------------------|---------------------------------------------------|-------------|----------|----|
| Flat cable end cover, plastic                                                       |                                                   |             |          |    |
|  | Every cable end must be fitted with an end cover. | transparent | 897-1050 | 10 |
| Insulating tape for flat cables,                                                    |                                                   |             |          |    |
|  | For sealing the contact holes in the flat cable.  | black       | 897-900  | 10 |
| Stripping knife                                                                     |                                                   |             |          |    |
|  |                                                   |             | 897-951  | 1  |
| Cutter                                                                              |                                                   |             |          |    |
|  |                                                   |             | 897-970  | 1  |



Push end cover fully onto the wire ends.

| Assembled version |
|-------------------|
|-------------------|



The 895-1652 tap-off module is also available with a WINSTA® MAXI connector. Item number and delivery time on request.



|  |                                                                                           |
|--|-------------------------------------------------------------------------------------------|
|  | <b>Flat cable 5 x 16 mm<sup>2</sup>/AWG 6</b><br><b>0.6/1kV</b><br><br><b>① Approvals</b> |
|--|-------------------------------------------------------------------------------------------|







| Description                              | Color                                                                 | Item no. | Pack.-unit |
|------------------------------------------|-----------------------------------------------------------------------|----------|------------|
| Flat cable 5 x 16 mm <sup>2</sup> /AWG 6 | Flat cable PVC 5 x 16 mm <sup>2</sup> /AWG 6,<br>3L + N + PE          |          |            |
|                                          | light gray                                                            | 897-1651 |            |
|                                          |                                                                       |          |            |
|                                          | Flat cable halogen-free 5 x 16 mm <sup>2</sup> /AWG 6,<br>3L + N + PE |          |            |
|                                          | light gray                                                            | 897-1652 |            |



To make the contact to the flat cable, tighten screw to the stop (observe the tightening torque!) . . .

#### Accessories

|                                                                                                                                |                                                   |             |          |    |
|--------------------------------------------------------------------------------------------------------------------------------|---------------------------------------------------|-------------|----------|----|
| <b>Flat cable end cover, plastic</b><br>    | Every cable end must be fitted with an end cover. | transparent | 897-1650 | 10 |
| <b>Insulating tape for flat cables,</b><br> | For sealing the contact holes in the flat cable.  | black       | 897-901  | 10 |
| <b>Stripping knife</b><br>                  |                                                   |             | 897-952  | 1  |
| <b>Cutter</b><br>                           |                                                   |             | 897-970  | 1  |



. . . red contact clips when flush with terminals confirm that contacts are made correctly.

#### Assembled version



The 895-1652 tap-off module is also available with a WINSTA® MAXI connector. Item number and delivery time on request.



**Tools**  
Operating Tool, Screwdrivers  
Cable Cutter, Stripping Tools  
Stripping Pliers, Wire Cutters, Stripping Knives

**124**  
**125**  
**126**



**Wiring Aid**  
Self-Adhesive Marker Strips

**127**








# Cable Cutter and Stripping Tools

|                                                                                                  |                                                                                                                                                                                                                                      |                                                                                                                                                                                              |
|--------------------------------------------------------------------------------------------------|--------------------------------------------------------------------------------------------------------------------------------------------------------------------------------------------------------------------------------------|----------------------------------------------------------------------------------------------------------------------------------------------------------------------------------------------|
| <p>Cable cutter acc. to VDE for copper and aluminum conductors up to 35 mm<sup>2</sup>/AWG 2</p> | <p>Stripping tool "Quickstrip 10" 0.02 mm<sup>2</sup> - 10 mm<sup>2</sup> (AWG 34 - 8) "f-st" (6 mm<sup>2</sup>/AWG 10 "s")<br/>Cable cutter for conductors up to 10 mm<sup>2</sup>/AWG 8 "f-st" (1.5 mm<sup>2</sup>/AWG 16 "s")</p> | <p>Stripping tool "Quickstrip 16" 4 mm<sup>2</sup> - 16 mm<sup>2</sup> (AWG 12 - 6)<br/>Cable cutter for conductors up to 10 mm<sup>2</sup>/AWG 8 "f-st" (1.5 mm<sup>2</sup>/AWG 16 "s")</p> |
|--------------------------------------------------------------------------------------------------|--------------------------------------------------------------------------------------------------------------------------------------------------------------------------------------------------------------------------------------|----------------------------------------------------------------------------------------------------------------------------------------------------------------------------------------------|



| Color                                                                                     | Item no. | Pack.-unit | Color                                                                                                                                                                                                        | Item no. | Pack.-unit | Color                                                                                                        | Item no. | Pack.-unit |
|-------------------------------------------------------------------------------------------|----------|------------|--------------------------------------------------------------------------------------------------------------------------------------------------------------------------------------------------------------|----------|------------|--------------------------------------------------------------------------------------------------------------|----------|------------|
| Cable cutter, for conductors from 0.25 mm <sup>2</sup> to 35 mm <sup>2</sup> (AWG 22 - 2) |          |            | Stripping tool "Quickstrip 10", for fine-stranded conductors from 0.02 mm <sup>2</sup> to 10 mm <sup>2</sup> (AWG 34 - 8), for solid conductors from 0.02 mm <sup>2</sup> to 6 mm <sup>2</sup> (AWG 34 - 10) |          |            | Stripping tool "Quickstrip 16", for all conductors from 4 mm <sup>2</sup> to 16 mm <sup>2</sup> (AWG 12 - 6) |          |            |
| green                                                                                     | 206-118  | 1          | black                                                                                                                                                                                                        | 206-124  | 1          | black                                                                                                        | 206-125  | 1          |

## Accessories

|  |                                                                                                                                                                                                                          |                                                                                                                                                                                           |
|--|--------------------------------------------------------------------------------------------------------------------------------------------------------------------------------------------------------------------------|-------------------------------------------------------------------------------------------------------------------------------------------------------------------------------------------|
|  | <p>Spare cassette "standard" 0.02 mm<sup>2</sup> - 10 mm<sup>2</sup> (AWG 34 - 8)</p>  <p>206-126 1</p>                               | <p>Spare cassette "standard" 4 mm<sup>2</sup> - 16 mm<sup>2</sup> (AWG 12 - 6)</p>  <p>206-128 1</p> |
|  | <p>Spare cassette with "V" blade for PTFE conductors from 0.02 mm<sup>2</sup> to 4 mm<sup>2</sup> (AWG 34 - 12)</p>  <p>206-127 1</p> |                                                                                                                                                                                           |

## Application notes



Cutting the cable.



Stripping the conductor.



Cutting the conductor.

- Conductor cross section can be adjusted easily.
- The stripping blade will not cause any damage to the conductor.
- The insulation will not be damaged by the wire holders during this adjustment process.
- The wire holders and the stripping blades will automatically open once the stripping process is completed.
- Strip length can be adjusted exactly using the movable stop.
- Stripping blade can be exchanged.
- Cable cutter is self-sharpening and protected against accidental contact.
- Entire body made of fiberglass reinforced polyamide.





Wiring aid, for 5-pole connectors, distribution connectors with phase selection and IDC supply modules, suitable for solid and stranded conductors.

Item no. 770-100

Marker strips



Strip outer insulation, insert cable into the wiring aid and arrange the single wires according to the marking, starting with N.



Cut wire ends.



Strip wire ends 9 mm/0.354 in (see marking).



Push connector on prepared wires (picture shows a socket).



Slide connector to the stop over wire ends.



Connector with inserted wires.



Socket with connected cable in a strain relief housing.



Wired connector with strain relief housing.



| Item no.                                                                                                                                                                                                                                                                           | Pack.-unit                 |
|------------------------------------------------------------------------------------------------------------------------------------------------------------------------------------------------------------------------------------------------------------------------------------|----------------------------|
| <b>Self-adhesive marker strips on DIN A4 cards,</b><br>strip length 182 mm, white                                                                                                                                                                                                  |                            |
| <b>210-333</b>                                                                                                                                                                                                                                                                     | 1                          |
| for 770 Series<br>Height of marker strip 6 mm/0.236 in (40 x)<br>Size of marker field:<br>Strain relief, 3-pole, 28 x 6.5 mm/0.256 in<br>Strain relief, 4-pole, 38 x 6.5 mm/0.256 in<br>Strain relief, 5-pole, 48 x 6.5 mm/0.256 in<br>Strain relief, 6-pole, 62 x 6.5 mm/0.256 in |                            |
| <b>210-334</b>                                                                                                                                                                                                                                                                     | 1                          |
| for 771 Series<br>Height of marker strip 5 mm/0.196 in (48 x)<br>Size of marker field:<br>Strain relief, 3-pole, 22 x 5.2 mm/0.204 in<br>Strain relief, 4-pole, 32 x 5.2 mm/0.204 in<br>Strain relief, 5-pole, 42 x 5.2 mm/0.204 in                                                |                            |
| Marking software:<br>smartMARKING                                                                                                                                                                                                                                                  |                            |
| CD-ROM                                                                                                                                                                                                                                                                             | <b>888-402/0510-0000</b> 1 |

**8**



**Kontaktsysteme GmbH**

130



**REGIOLUX  
Fränkische Leuchten GmbH**

134



**König + Neurath AG**

130



**RIDI Leuchten GmbH**

134



**Lenneper GmbH & Co. KG**

131



**Schulte Elektrotechnik  
GmbH & Co. KG**

135



**LITE-LICHT GmbH**

131



**Siteco  
Beleuchtungstechnik GmbH**

135



**Ludwig Leuchten KG**

132



**TEHALIT GmbH & Co. KG**

136



**Philips AEG Licht GmbH**

132



**TRILUX-LENZE GmbH + Co. KG**

136



**POPP GmbH**

133



**WILA Leuchten GmbH**

137



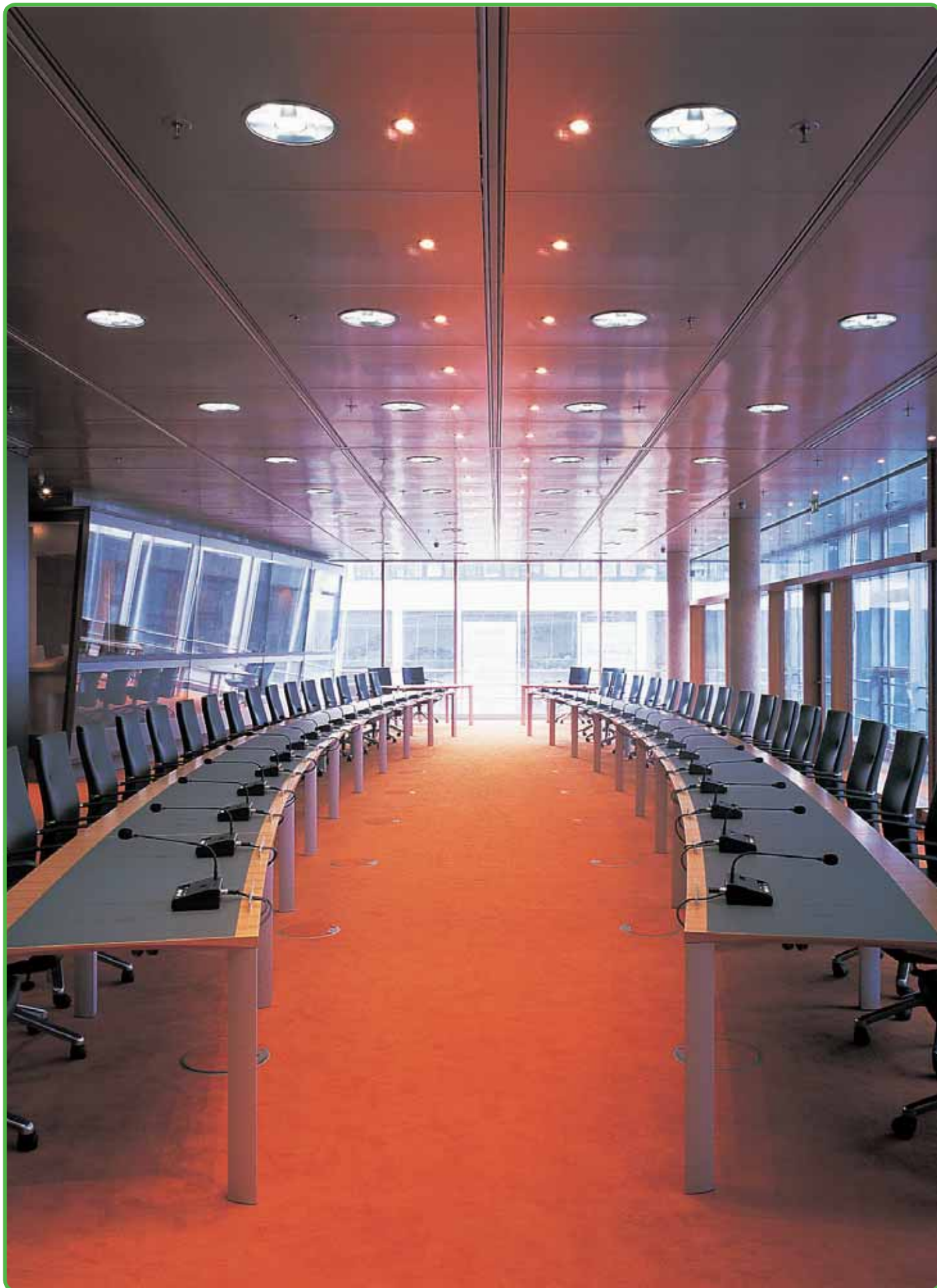
**PUK-WERKE KG**

133

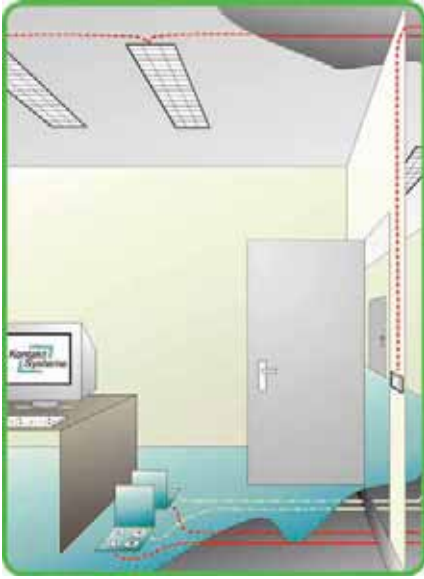


**Zumtobel Staff GmbH**

137



System Partners



**FLEXISS flexible installation system for raised floor and suspended ceiling: equipped with WINSTA®.**



**Kontaktsysteme GmbH**  
 P.O. Box 1237 • Schloßhaldenstraße 11  
 71282 Hemmingen  
 Phone: +49 (0) 7150 / 9550-0  
 Fax: +49 (0) 7150 / 9550-50  
[www.kontaktsysteme.de](http://www.kontaktsysteme.de) • [info@kontaktsysteme.de](mailto:info@kontaktsysteme.de)



We provide harmonized overall office furnishing solutions. One-stop shopping, from office planning to the seating furniture.  
 König + Neurath – the one-stop shop for efficient and economic office interior design.



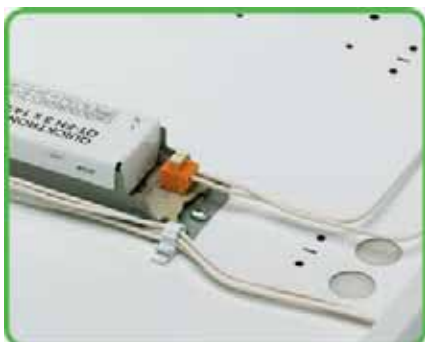
**König + Neurath AG**  
 Büromöbelsysteme  
 Industriestr. 1-3 • 61184 Karben  
 Phone: +49 (0) 6039 / 483-0  
 Fax: +49 (0) 6039 / 483-214  
[www.koenig-neurath.de](http://www.koenig-neurath.de) • [info@koenig-neurath.de](mailto:info@koenig-neurath.de)



All recessed luminaires are available with the **WINSTA®** connector system.



**Lenneper GmbH & Co. KG**  
 Klosterstraße 60 • 51645 Gummersbach  
 Phone: +49 (0) 2261 / 5409-0  
 Fax: +49 (0) 2261 / 5409-40  
 www.lenneper.de • verkauf@lenneper.de



The following types of luminaires are available with **WINSTA®**:

- Recessed downlights
- "Soft Light" recessed luminaires
- Recessed louvered luminaires T5
- Recessed louvered luminaires T8
- In-paneling lighting systems
- Furniture lighting ML
- Batten luminaires STNF

**LITE-LICHT®**

**LITE-LICHT GmbH**  
 Boschstraße • 33442 Herzebrock-Clarholz  
 Phone: +49 (0) 5245 / 443-0  
 Fax: +49 (0) 5245 / 443295 -96  
 www.lite-licht.de • lite-licht@lite-licht.de

**WINSTA®- The perfect connection!**

System Partners



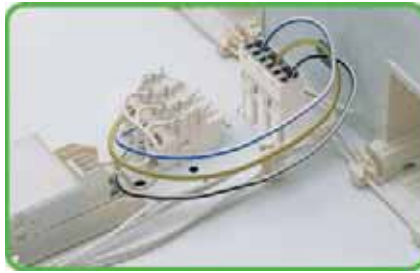
Suspended luminaire



Linear fluorescent luminaire



Louvered luminaire

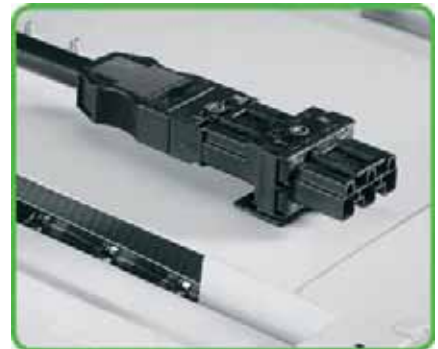


The following types of luminaires are available with WINSTA®:

- PLANUS
- LEVIS
- ORBIS
- Louvered luminaires
- Continuous rows of luminaires



**Ludwig Leuchten KG**  
 Frühlingstr. 15 • 86415 Mering  
 Phone: +49 (0) 8233 / 387-0  
 Fax: +49 (0) 8233 / 387-200  
 www.ludwig-leuchten.de  
 zen@ludwig-gebr.de



The following types of luminaires are available with WINSTA®:

- FLATLIGHT
- TBS625-635
- INDOLIGHT



**Philips AEG Licht GmbH**  
 Rathenastraße 2-6 • 31832 Springe  
 Phone: +49 (0) 5041 / 75-0  
 Fax: +49 (0) 5041 / 75-508  
 Service-Tel.: 01802 / 54248 (zum Ortstarif)  
 www.aeglicht.philips.de  
 infocenter.philips.aeg.licht@philips.com



Due their modular design, the well proven POPP adaptus® professional socket strips can meet all customer requirements. Therefore, the adaptus® furniture socket strips equipped with WAGO WINSTA® are very well suited for building installation applications.



#### POPP GmbH

Kulmbacher Straße 27 • 95460 Bad Berneck

Phone: +49 (0) 9273 / 73-0

Fax: +49 (0) 9273 / 73-130

www.popp-elektro.de • info@popp-elektro.de



The following underfloor system fitting components are available with WINSTA®:

- Raised floor systems
- Cavity floor systems

Other components available upon request



#### PUK-WERKE KG

Nobelstr. 45-51 • 12057 Berlin

Phone: +49 (0) 30 / 68283-01

Fax: +49 (0) 30 / 68283-266

www.puk-werke.de • vertrieb@puk-werke.de

System Partners



The following types of luminaires are available with WINSTA®:

- UE (recessed luminaires)
- Meta ZD (pendant luminaires)

**REGIOLUX**

**REGIOLUX Fränkische Leuchten GmbH**  
 Hellinger Str. 3 • 97486 Königsberg  
 Phone: +49 (0) 9525 / 89-0  
 Fax: +49 (0) 9525 / 89-374  
 www.regiolux.de • info@regiolux.de



The following types of luminaires are available with WINSTA®:

- |                 |                 |                    |
|-----------------|-----------------|--------------------|
| EBRE 418-3 W    | EBRE 314 W-EVG  | Ecalux-E 236 RW    |
| EBRE 418 W      | EBRE 414 W-EVG  | Ecalux-E 418 RW    |
| EBRE 418-3 A    | EBRE 314 A-EVG  | Ecalux-E 418-3 RW  |
| EBRE 418 A      | EBRE 414 A-EVG  | Ecalux-E 236 RA    |
| EBRE 418-3 SM   | EBRE 314 SM-EVG | Ecalux-E 418 RA    |
| EBRE 418 SM     | EBRE 414 SM-EVG | Ecalux-E 418-3 RA  |
| EBRE 418-3 SG   | EBRE 314 SG-EVG | Ecalux-E 236 PRG   |
| EBRE 418 SG     | EBRE 414 SG-EVG | Ecalux-E 418 PRG   |
| EBRE 418 SG-BAP |                 | Ecalux-E 418-3 PRG |

Also available as a design with electronic ballast.

**RIDI**  
 Licht für Mensch und Technik

**RIDI Leuchten GmbH**  
 Hauptstr. 31-33 • 72417 Jungingen  
 Phone: +49 (0) 7477 / 872-0  
 Fax: +49 (0) 7477 / 872-48  
 www.ridi.de • info@ridi.de





The following systems are available with WINSTA®:

- EVOline® Express
- EVOline® Dock
- EVOline® Port



Schulte Elektrotechnik GmbH & Co. KG

Juengerstraße 21 • 58515 Lüdenscheid

Phone: +49 (0) 2351 / 94810

Fax: +49 (0) 2351 / 42658

www.schulte.com

info@schulte.com



The following types of luminaires are available with WINSTA®:

- Comfit® M
- Comfit® Plus
- Comfit® S
- Lunis ELunis E

**siteco** Sie werden sehen.

Siteco Beleuchtungstechnik GmbH

Ohmstr. 50 • 83301 Traunreut

Phone: +49 (0) 8669 / 33-822

Fax: +49 (0) 8669 / 33-540

www.siteco.de • info@siteco.de

**WINSTA®- The perfect connection!**

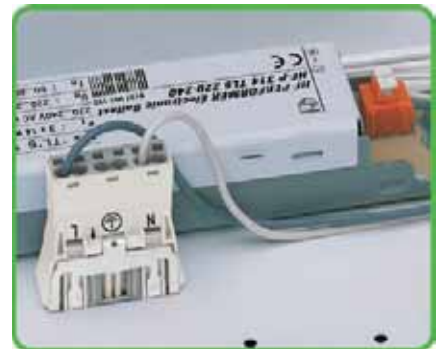
**System Partners**



**BR netway  
with WINSTA® connectors  
for power supply  
and distribution.**



**TEHALIT GmbH & Co. KG**  
Seebergstr. 37 • 67716 Heltersberg  
Phone: +49 (0) 1803 / 232328  
Fax: +49 (0) 6842 / 9455555  
www.tehalit.de • info@hager.de



**The following types of luminaires are available with WINSTA®:**

- Louvered recessed luminaires
- Recessed diffuser luminaires
- Damp-proof recessed luminaires
- Downlights

Other luminaires available upon request.



**TRILUX-LENZE GmbH + Co. KG**  
Heidestraße • 59759 Arnsberg  
Phone: +49 (0) 2932 / 301-0  
Fax: +49 (0) 2932 / 301-375  
www.trilux.de • info@trilux.de



The following types of luminaires are available with WINSTA®:

- E Connect 2M
- E Connect MS3
- circLet MS3
- Variatic recessed luminaire

# WILA

#### WILA Leuchten GmbH

P.O. Box 2611 • 58596 Iserlohn  
 Vödeweg 9-115 • 58638 Iserlohn  
 Phone: +49 (0) 2371/823-0  
 Fax: +49 (0) 2371/823-202  
 www.wila.com • info@wila.com



The following types of luminaires are available with WINSTA®:

- MIREL louvered luminaires
- MILDES LICHT IV (SOFT LIGHT IV) Concept
- PANOS downlights

# ZUMTOBEL STAFF

DAS LICHT ®

#### Zumtobel Staff GmbH

Schweizer Str. 30 • 6851 Dornbirn  
 Österreich  
 Phone: +43 (0) 5572 / 390-0  
 Fax: +43 (0) 5572 / 22826  
 www.zumtobelstaff.com • info@zumtobelstaff.co.at

**WINSTA®- The perfect connection!**

# 9



**Marine Applications**

**140**



**Airports**

**140**



**Motor Homes**

**141**



**Trade Show Design**

**141**



**Office Buildings**

**142**



**Prefabricated Houses**

**142**



**Lab Work Stations**

**143**



**Rolling Stock**

**143**



WINSTA®- The perfect connection!

## Marine Applications



**MEYER Shipyard** in Papenburg uses the WINSTA® connector system for the installation of nearly all ceiling lights in cruise ships, and utilizes the advantage of dual connections in sockets and plugs of the WINSTA®

MIDI product family for the looping of the conductors from lamp to lamp. The distributors in the cabins too are completely equipped with WINSTA® MIDI snap-in type device connectors. The ready



wired distributor can be easily commissioned by simple and quick plugging of the outgoing feeders following the assembly in the cabin walls.

## Airports



The decision was made for 5-pole WINSTA® MIDI connectors when designing the ceiling lighting at **Prague Airport**. Besides the required neutral and protective conductors, the other three poles are

used to feed three separate lighting circuits - for standard lighting, emergency lighting and escape way lighting. Because the same light fixture was to be used for all three circuits, three different



connecting cables were manufactured by WAGO as per customer specification.

## Motor Homes



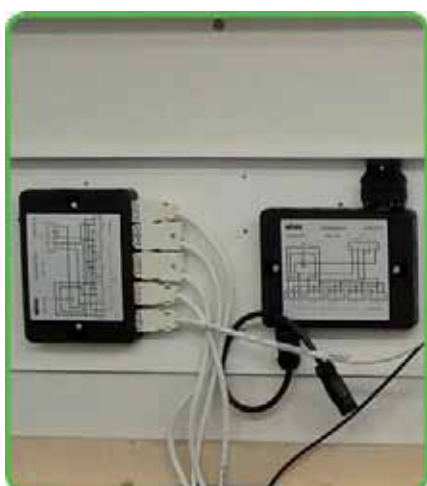
**LMC Caravan GmbH & Co. KG** in 48336 Sassenberg, Germany, is a manufacturer of mobile homes and trailers. They use **WINSTA®** for the installations in the mobile homes and trailers. The utiliza-



tion of a plug-in connector system permits the pre-fabrication of installation components outside the actual production line and parallel to the assembly of the vehicles. At the end, the whole installation is executed

quickly and hence, cost savingly, by simple plugging prior to the soft trimming of the walls.

## Trade Show Design



The **trade show outfitter Brose** produces for a number of customers booths and exhibition spaces in various sizes. In order to keep the inrush current, which is caused by the electronic ballasts, low when dealing with big stands and many lighting fixtures



and hence to avoid the activation of the overcurrent protective device, different lighting areas used to be switched on manually one after the other. With just a single individually fabricated variant of the **WINSTA®** distribution box and an electronic time re-

lay with switch-on delay, integrated into a 5-pole **WINSTA®** MIDI plug, the switching process was conveniently automated.

## Office Buildings



The Danish headquarters of globally operating Deloitte & Touche, the famous company for “audit, tax consultancy, consulting and corporate finance” is located in the **COPENHAGEN ATRIUM**. WINSTA® MIDI is used in two main areas. The light-

ing fixtures in the suspended ceilings have been completely wired with 5-pole plugs and sockets (partly using the DALI version with blue insulation) for both power supply and connection cables as well as T-joints. All lighting fixtures from ARKILUX were



equipped with WINSTA® snap-in connectors.

Within the sub-floor, WINSTA® boxes with two separate 230V AC circuits provide for the individual work spaces in the offices, one for the general power supply, the other for the power supply of the PCs exclusively.

## Prefabricated Houses



The **pre-fab contractor ExNorm, KAMPA AG** has decided for electrical installations using the WINSTA® MIDI system. The decisive factor was the requirement to minimize work at the job site and to

increase the value added in the shop. The major portion of the electrical installation can be executed at defined environmental conditions, independently from wind and weather situations. All pre-fab components



are electrically connected to each other via simple plug-in processes on the site.



## Lab Work Stations



**Fa. Wesemann** in 28857 Syke, Germany, offers complete lab installations, including the power supply of individual work spaces. For the electrical installations, they use plug-in connectors of the



**WINSTA®** system. All supply channels are equipped with cable assemblies. These elements can be easily connected to each other via simple plugging during the final assembly of the lab work stations,

without expensive conductor preparation and connection.

## Rolling Stock



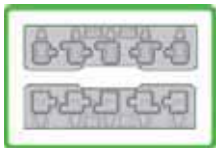
**Bombardier Transportation Berlin** uses plug-in connectors of the **WINSTA®** system in their "Talent Connex Pool". For the voltage supply at passenger seats, e.g. for the connection of notebooks to



the 230V supply, special pre-fabricated "Conductor chains" were installed in the sidewalls of the wagons. They consist of a 3-pole plug on the feeder side and several 3-pole sockets from which,

due to the dual connection option, the conductor can be looped from seat to seat.

# 10



**Coding Overview**

**146 – 147**



**Your Questions – Our Answers**

**148 – 149**



**Technical Data**

**150 – 155**



**Approvals – User Guide**

**156 – 157**



**Item Numbers  
Index**

**158 – 161  
162 – 167**



**Addresses Worldwide and in Germany**

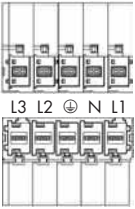

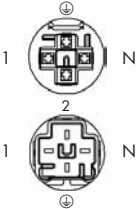
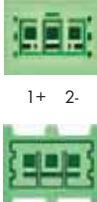
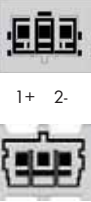
**168**



## Codings

| Description                                                                                           | WINSTA MINI |           | WINSTA MIDI      |                 |                     |
|-------------------------------------------------------------------------------------------------------|-------------|-----------|------------------|-----------------|---------------------|
|                                                                                                       | 2-pole      | 3-pole    | 3-pole           | 4-pole          | 5-pole              |
| <b>Series</b>                                                                                         | 890 / 891   | 890 / 891 | 770 / 771 / 772❶ | 770 / 771       | 770 / 771 / 772❶    |
| <b>Coding A</b><br>black<br>white<br><br>e.g., universal applications                                 | <br>N-L+    | <br>N-L   | <br>N-L          | <br>1 2 ⊕ N     | <br>L3 L2 L1 ⊕ N    |
| <b>Coding B</b><br>gray<br><br>e.g., control applications                                             | <br>2 1     | <br>3 2 1 | <br>3 2 1        | <br>4 3 2 1     | <br>5 4 3 2 1       |
| <b>Coding E or F</b><br><br>Coding E: KNX applications, green<br>Coding F: special coding, light gray |             |           |                  |                 |                     |
| <b>Coding I</b><br>blue<br><br>e.g., dimming                                                          |             |           |                  |                 | <br>DA DA L ⊕ N     |
| <b>Coding P</b><br>red<br><br>e.g., computer applications (UPS)                                       |             |           | <br>N-L          |                 | <br>L3 L2 L1 ⊕ N    |
| <b>Coding Q</b><br>green<br><br>"Clean Earth" applications                                            |             |           |                  | <br>L PE2 PE1 N | <br>L PE3 PE2 PE1 N |
| <b>Coding R</b><br>Housing color:<br>orange<br><br>e.g., LON bus                                      |             |           | <br>S LON LON    |                 |                     |
| <b>Coding S</b><br>brown<br><br>e.g., switching applications                                          |             |           | <br>L 2 1        |                 |                     |

❶ Only codings A and P are suited for 772 Series

| Description                                                                                           | WINSTA MAXI                                                                       | WINSTA RD                                                                         |                                                                                     | WINSTA KNX                                                                           |                                                                                      |
|-------------------------------------------------------------------------------------------------------|-----------------------------------------------------------------------------------|-----------------------------------------------------------------------------------|-------------------------------------------------------------------------------------|--------------------------------------------------------------------------------------|--------------------------------------------------------------------------------------|
|                                                                                                       | 5-pole                                                                            | 3-pole                                                                            | 4-pole                                                                              | 2-pole                                                                               |                                                                                      |
| <b>Series</b>                                                                                         | <b>831</b>                                                                        | <b>774</b>                                                                        | <b>774</b>                                                                          | <b>893/894</b>                                                                       |                                                                                      |
| <b>Coding A</b><br>black<br>white<br><br>e.g., universal applications                                 |  |  |  |                                                                                      |                                                                                      |
| <b>Coding B</b><br>gray<br><br>e.g., control applications                                             |                                                                                   |                                                                                   |                                                                                     |                                                                                      |                                                                                      |
| <b>Coding E or F</b><br><br>Coding E: KNX applications, green<br>Coding F: special coding, light gray |                                                                                   |                                                                                   |                                                                                     |  |  |
| <b>Kodierung I</b><br>blue<br><br>e.g., dimming                                                       |                                                                                   |                                                                                   |                                                                                     |                                                                                      |                                                                                      |
| <b>Coding P</b><br>red<br><br>e.g., computer applications (UPS)                                       |                                                                                   |                                                                                   |                                                                                     |                                                                                      |                                                                                      |
| <b>Coding Q</b><br>green<br><br>"Clean Earth" applications                                            |                                                                                   |                                                                                   |                                                                                     |                                                                                      |                                                                                      |
| <b>Coding R</b><br>Housing color:<br>orange<br><br>e.g., LON bus                                      |                                                                                   |                                                                                   |                                                                                     |                                                                                      |                                                                                      |
| <b>Coding S</b><br>brown<br><br>e.g., switching applications                                          |                                                                                   |                                                                                   |                                                                                     |                                                                                      |                                                                                      |

**Question 1:**

Can WINSTA® be used in low voltage range applications?

Compliance of the WINSTA® products with the low voltage directive is contained within the CE approval.

**Question 2:**

Can I wire the entire electrical installation of a functional building using WINSTA®?

The WINSTA® system allows the wiring of the entire electrical installation on both sides of the floor distributors.

**Question 3:**

What needs to be considered for the changeover from NYM cables for permanent installation to pluggable installation using flexible wires?

The changeover area must be fixed properly in order to protect the NYM cable from too high bending stress, in addition, all terminals must be protected against shear and tensile stress.

**Question 4:**

What needs to be considered when there is a concentration of WINSTA® cables, e.g. in a cable duct?

As a result of the heat build-up, it might be necessary to reduce the current carrying capacity or to increase the cross section from e.g. 2.5 mm<sup>2</sup> to 4 mm<sup>2</sup>.

**Question 5:**

Where may I use WINSTA® for installation?

Anywhere there is enough space for connectors and cables, e.g. in cable ducts, false floors or plasterboard walls and suspended ceilings.

**Question 6:**

What needs to be considered if there is a cross section reduction?

The minimum conductor cross section must be adapted to the connected load. More protection measures are only required if the cable with the reduced cross section to the connected load is longer than 3 m, see VDE 0100, Nov. 1991, Part 430.

**Question 7:**

Are there distribution boxes with WINSTA® components available?

Yes. WAGO offers many distribution boxes with different functions, such as Dali Bus, Lon applications, blind control etc., ready for connection with WINSTA® connectors.

**Question 8:**

May I split a three-phase circuit when using WINSTA®?

It must be ensured that all three phases can be switched off at the same time, e.g. by using a 3-pole safety cutout or a 3-pole circuit breaker. WINSTA® offers several convenient solutions, such as three-phase to single-phase distribution connectors, distribution connectors with phase selection, intermediate couplers from 5 poles to 3 poles and customized distribution boxes.

**Question 9:**

What safety features does WINSTA® offer when designing different circuits, such as AV, SV or UPS?

WINSTA® offers connectors and distributors with different codings that are also marked in different colors for a clear differentiation. In the entire system!

**Question 10:**

Are there individual marking options for WINSTA® components?

Of course, flexible marking is part of a flexible connector system, and this is why WINSTA® also offers custom solutions.

**Question 11:**

Can I also integrate two relays in a WINSTA® distribution box in order to control blind motors?

Yes. It is even possible to integrate up to three 6 mm wide relays in a WINSTA® distribution box.

**Question 12:**

Is the WINSTA® system protected against accidental contact?

All components of the WINSTA® system are protected against accidental contact, hence it provides maximum safety.

### Rated voltage

250 V/4 kV/3 acc. to IEC 60664  
Air and creepage distance  $\geq 5.5$  mm/0.216 in  
With strain relief  $\geq 6.5$  mm/0.255 in to accessible surfaces (protection class II)

### Rated current

Max. 16 A, depending on the conductor cross section

### Connectable conductor cross section

0.25 mm<sup>2</sup> to 1 mm<sup>2</sup> (AWG 22 - 18) solid, stranded and fine-stranded  
1.5 mm<sup>2</sup>/AWG 16 solid and fine-stranded

### Contact resistance

Approx. 3 m $\Omega$  contact resistance  
Approx. 0.5 m $\Omega$  contact transition plug/socket

### Approvals

Planned approvals: UL, CCA, LR, GL, DNV

### Pending

EN / IEC 61 535

### Degree of protection

In mated condition with strain relief housing: IP 20

### Cable diameter

2-pole:  $\varnothing$  3.8 - 8.2 mm (0.149 - 0.322 in)  
3-pole:  $\varnothing$  4.5 - 10.0 mm (0.177 - 0.39 in)

### Mating cycles

200, without resistive load  
100, without resistive load  $I_N = 16$  A, tested (1.5 mm<sup>2</sup>/AWG 16)

### Mating and unmating forces (socket and plug)

Mating force: approx. 10 – 50 N (depends on number of poles)  
Unmating force when not locked: approx. 10 - 50 N (depends on number of poles)  
Retention force when locked: > 80 N

### Protection against mismating

All WINSTA components are 100% protected against mismating in terms of:  
a.) plugging different number of poles  
b.) plugging when turned by 180°  
c.) plugging when laterally staggered  
d.) plugging one pole

### Locking levers

All products for fixed installations (snap-in versions for lighting fixtures or devices, and distribution connector versions) are equipped with locking levers ex-factory, so that the plugs or sockets are always locked. Additional locking levers are only required for „flying leads“ (plug/socket).

### Materials

Connector material  
Insulating parts: Polyamide 6.6 V0, halogen-free (except cable)  
Contacts: Copper or copper alloy, surface-treated  
Clamping spring: Stainless steel

### Continuous service temperature

$\leq 85^\circ\text{C}$   
PVC cable for temperatures  $\leq 70^\circ\text{C}$  (including halogen-free)  
Insulating parts for temperatures  $\leq 105^\circ\text{C}$

### General

First make/last break earth contact,  
no WINSTA product is compatible with any other connector system available on the market

### Fire load

On request



|                                                        |                                                                                                                                                                                                                                                                                                                                                                                                                                   |
|--------------------------------------------------------|-----------------------------------------------------------------------------------------------------------------------------------------------------------------------------------------------------------------------------------------------------------------------------------------------------------------------------------------------------------------------------------------------------------------------------------|
| <b>Rated voltage</b>                                   | 250 V/4 kV/3 acc. to IEC 60664 3-pole<br>400 V/6 kV/3 acc. to IEC 60664 4- and 5-pole<br>Air and creepage distance $\geq 5.5$ mm/0.216 in<br>to accessible surfaces                                                                                                                                                                                                                                                               |
| <b>Rated current</b>                                   | Max. 25 A, depending on the conductor cross section                                                                                                                                                                                                                                                                                                                                                                               |
| <b>Connectable conductor cross section</b>             | 0.5 mm <sup>2</sup> to 2.5 mm <sup>2</sup> (AWG 20 - 14) solid, stranded and fine-stranded<br>4 mm <sup>2</sup> /AWG 12 solid and fine-stranded                                                                                                                                                                                                                                                                                   |
| <b>Contact resistance</b>                              | Approx. 3 m $\Omega$ contact resistance<br>Approx. 0.5 m $\Omega$ contact transition plug/socket                                                                                                                                                                                                                                                                                                                                  |
| <b>Approvals</b>                                       | VDE 0628, UL, CCA, LR, GL, DNV                                                                                                                                                                                                                                                                                                                                                                                                    |
| <b>In preparation</b>                                  | EN / IEC 61 535                                                                                                                                                                                                                                                                                                                                                                                                                   |
| <b>Degree of protection</b>                            | in mated condition with strain relief housing: IP 20                                                                                                                                                                                                                                                                                                                                                                              |
| <b>Cable diameter</b>                                  | 3-pole: $\varnothing$ 4.5 - 8 mm (0.177 - 0.315 in) and<br>$\varnothing$ 8 - 11.5 mm (0.315 - 0.452 in) and $\varnothing$ 9 - 13 mm (0.354 - 0.511 in)<br>4-pole: $\varnothing$ 9 - 13 mm (0.354 - 0.511 in)<br>5-pole: $\varnothing$ 5 - 9 mm (0.196 - 0.354 in) and<br>$\varnothing$ 9 - 13 mm (0.354 - 0.511 in) and $\varnothing$ 11.5 - 16.5 mm (0.452 - 0.649 in)<br>6-pole: $\varnothing$ 8.5 - 13.5 mm (0.334 - 0.531 in) |
| <b>Mating cycles</b>                                   | 200, without resistive load<br>100, without resistive load $I_N = 25$ A, tested (4 mm <sup>2</sup> /AWG 12)                                                                                                                                                                                                                                                                                                                       |
| <b>Mating and unmating forces</b><br>(socket and plug) | Mating force: approx. 30 – 70 N (depends on number of poles)<br>Unmating force when not locked: 30 – 70 N (depends on number of poles)<br>Retention force when locked: > 80 N                                                                                                                                                                                                                                                     |
| <b>Protection against mismatching</b>                  | All WINSTA components are 100% protected against mismatching in terms of:<br>a.) Plug-in of different number of poles<br>b.) plugging when turned by 180°<br>c.) plugging when laterally staggered<br>d.) plugging one pole                                                                                                                                                                                                       |
| <b>Locking levers</b>                                  | All products for fixed installations (snap-in versions for lighting fixtures or devices, all distribution connector and PCB versions) are equipped with locking levers ex-factory, so that the plugs or sockets are always locked. Additional locking levers are only required for „flying leads“ (plug/socket).                                                                                                                  |
| <b>Materials</b>                                       | Connector material<br>Insulating parts: Polyamide 6.6 V0, halogen-free (except cable)<br>Contacts: Copper or copper alloy, surface-treated<br>Clamping spring: Stainless steel                                                                                                                                                                                                                                                    |
| <b>Continuous service temperature</b>                  | $\leq 85^\circ\text{C}$<br>PVC cable for temperatures $\leq 70^\circ\text{C}$ (including halogen-free)<br>Insulating parts for temperatures $\leq 105^\circ\text{C}$                                                                                                                                                                                                                                                              |
| <b>General</b>                                         | First make/last break earth contact,<br>no WINSTA product is compatible with any other connector system<br>available on the market                                                                                                                                                                                                                                                                                                |
| <b>Fire load</b>                                       | on request                                                                                                                                                                                                                                                                                                                                                                                                                        |

### Rated voltage

400 V/6 kV/3 acc. to IEC 60664

Air and creepage distance  $\geq 5.5$  mm/0.216 in to accessible surfaces (protection class II)

### Rated current

Max. 32 A, depending on the conductor cross section

### Connectable conductor cross section

0.5 mm<sup>2</sup> to 4 mm<sup>2</sup> (AWG 20 - 12) solid, stranded and fine-stranded  
6 mm<sup>2</sup>/AWG 10 solid and fine-stranded

### Contact resistance

Approx. 3 m $\Omega$  contact resistance

Approx. 0.5 m $\Omega$  contact transition plug/socket

### Approvals

Planned approvals: UL, CCA, LR, GL, DNV

### Pending

EN / IEC 61 535

### Degree of protection

in mated condition with strain relief housing: IP 20

### Cable diameter

5-pole:  $\varnothing$  13 - 18 mm (0.51 - 0.708 in)

### Mating cycles

100, without resistive load

50, with resistive load  $I_N = 35$  A, tested (6 mm<sup>2</sup>/AWG 10)

### Mating and unmating forces

(socket and plug)

Mating force: approx. 30 – 70 N (depends on number of poles)

Unmating force when not locked: approx. 30 – 70 N (depends on number of poles)

Retention force when locked: > 80 N

### Protection against mismating

All WINSTA components are 100% protected against mismating in terms of:

a.) Plug-in of different number of poles

b.) plugging when turned by 180°

c.) plugging when laterally staggered

d.) plugging one pole

### Locking levers

Sockets are equipped with locking levers ex-factory, so that the plugs are always locked.

### Materials

Connector material

Insulating parts: Polyamide 6.6 V0, halogen-free (except cable)

Contacts: Copper or copper alloy, surface-treated

Clamping spring: Stainless steel

### Continuous service temperature

$\leq 85^\circ\text{C}$

PVC cable for temperatures  $\leq 70^\circ\text{C}$  (including halogen-free)

Insulating parts for temperatures  $\leq 105^\circ\text{C}$

### General

First make/last break earth contact,

no WINSTA product is compatible with any other connector system available on the market

### Fire load

On request

|                                                        |                                                                                                                                                                                                                  |
|--------------------------------------------------------|------------------------------------------------------------------------------------------------------------------------------------------------------------------------------------------------------------------|
| <b>Rated voltage</b>                                   | 250 V/4 kV/3 acc. to IEC 60664<br>Air and creepage distance $\geq 5.5$ mm/0.216 in to accessible surfaces (protection class II)                                                                                  |
| <b>Rated current</b>                                   | Max. 20 A, depending on the conductor cross section                                                                                                                                                              |
| <b>Connectable conductor cross section</b>             | 1.5 mm <sup>2</sup> to 2.5 mm <sup>2</sup> (AWG 16 - 14) fine-stranded                                                                                                                                           |
| <b>Contact resistance</b>                              | Approx. 3 m $\Omega$ contact resistance<br>Approx. 0.5 m $\Omega$ contact transition plug/socket                                                                                                                 |
| <b>Approvals</b>                                       | Planned approvals: VDE 0628, UL, CCA, LR, GL, DNV                                                                                                                                                                |
| <b>Pending</b>                                         | EN / IEC 61 535                                                                                                                                                                                                  |
| <b>Degree of protection</b>                            | in mated condition with strain relief housing: IP 20                                                                                                                                                             |
| <b>Cable diameter</b>                                  | fixed diameter 3 x 1.5 mm <sup>2</sup> /AWG 16, $\varnothing$ 8.2 mm/0.322 in<br>3 x 2.5 mm <sup>2</sup> /AWG 14, $\varnothing$ 10 mm/0.393 in<br>4 x 1.5 mm <sup>2</sup> /AWG 16, $\varnothing$ 9.2 mm/0.362 in |
| <b>Mating cycles</b>                                   | 200, without resistive load<br>100, without resistive load $I_N = 20$ A, tested (2.5 mm <sup>2</sup> /AWG 14)                                                                                                    |
| <b>Mating and unmating forces</b><br>(socket and plug) | Mating force: approx. 30 – 70 N (depends on number of poles)<br>Unmating force when not locked: 30 – 70 N (depends on number of poles)<br>Retention force when locked: > 80 N                                    |
| <b>Protection against mismating</b>                    | All WINSTA components are 100% protected against mismating in terms of:<br>a.) Plug-in of different number of poles<br>b.) plugging when turned in the wrong way round<br>c.) plugging when laterally staggered  |
| <b>Locking levers</b>                                  | Locking levers are generally at the socket                                                                                                                                                                       |
| <b>Materials</b>                                       | Connector material<br>Insulating parts: Polyamide 6.6 V0, halogen-free (except cable)<br>Contacts: Copper or copper alloy, surface-treated<br>Clamping spring: Stainless steel                                   |
| <b>Continuous service temperature</b>                  | $\leq 85^\circ\text{C}$<br>PVC cable for temperatures $\leq 70^\circ\text{C}$ (including halogen-free)<br>Insulating parts for temperatures $\leq 105^\circ\text{C}$                                             |
| <b>General</b>                                         | First make/last break earth contact,<br>no WINSTA product is compatible with any other connector system<br>available on the market                                                                               |
| <b>Fire load</b>                                       | On request                                                                                                                                                                                                       |

|                                                          |                                                                                                                                                                            |
|----------------------------------------------------------|----------------------------------------------------------------------------------------------------------------------------------------------------------------------------|
| ● <b>Rated voltage</b>                                   | 50 V/0.8 kV/3<br>Air and creepage distance $\geq 5.5$ mm/0.216 in                                                                                                          |
| ● <b>Rated current</b>                                   | 3 A                                                                                                                                                                        |
| ● <b>Connectable conductor cross section</b>             | 0.5 mm <sup>2</sup> /AWG 20 solid                                                                                                                                          |
| ● <b>Contact resistance</b>                              | Approx. 5 m $\Omega$ contact resistance                                                                                                                                    |
| ● <b>Approvals</b>                                       | EIB manual                                                                                                                                                                 |
| ● <b>Degree of protection</b>                            | in mated condition with strain relief housing: IP 20                                                                                                                       |
| ● <b>Cable diameter</b>                                  | $\varnothing$ 5 - 7 mm (0.196 - 0.275 in)                                                                                                                                  |
| ● <b>Mating cycles</b>                                   | 200                                                                                                                                                                        |
| ● <b>Mating and unmating forces</b><br>(socket and plug) | Mating force: approx. 10 – 15 N<br>Unmating force when not locked: approx. 15 – 20 N                                                                                       |
| ● <b>Materials</b>                                       | Insulating parts: Polyamide 6.6 V0, halogen-free (except cable)<br>Contacts: Copper alloy, surface-treated                                                                 |
| ● <b>Continuous service temperature</b>                  | $\leq 85^{\circ}\text{C}$<br>PVC cable for temperatures $\leq 70^{\circ}\text{C}$ (including halogen-free)<br>Insulating parts for temperatures $\leq 105^{\circ}\text{C}$ |
| ● <b>Fire load</b>                                       | On request                                                                                                                                                                 |

|                                                        |                                                                                                                                                                                                                             |
|--------------------------------------------------------|-----------------------------------------------------------------------------------------------------------------------------------------------------------------------------------------------------------------------------|
| <b>Rated voltage</b>                                   | 250 V/4 kV/3 acc. to IEC 60664 3-pole<br>400 V/6 kV/3 acc. to IEC 60664 5-pole<br>Air and creepage distance $\geq 5.5$ mm/0.216 in                                                                                          |
| <b>Rated current</b>                                   | Max. 25 A, depending on the conductor cross section                                                                                                                                                                         |
| <b>Connectable conductor cross section</b>             | 0.5 mm <sup>2</sup> to 2.5 mm <sup>2</sup> (AWG 20 - 14) solid, stranded and fine-stranded<br>4 mm <sup>2</sup> /AWG 12 solid and fine-stranded                                                                             |
| <b>Contact resistance</b>                              | Approx. 3 m $\Omega$ contact resistance<br>Approx. 0.5 m $\Omega$ contact transition plug/socket                                                                                                                            |
| <b>Approvals</b>                                       | Planned approvals: UL, CCA, LR, GL, DNV                                                                                                                                                                                     |
| <b>Pending</b>                                         | EN / IEC 61 535                                                                                                                                                                                                             |
| <b>Degree of protection</b>                            | in mated condition with strain relief housing: IP 20                                                                                                                                                                        |
| <b>Cable diameter</b>                                  | 5-pole strain relief: $\varnothing$ 8 - 13 mm (0.315 - 0.511 in)<br>5-pole strain relief: $\varnothing$ 11.5 - 16.5 mm (0.452 - 0.649 in)                                                                                   |
| <b>Mating cycles</b>                                   | 200, without resistive load<br>100, without resistive load $I_N = 25$ A, tested (4 mm <sup>2</sup> /AWG 12)                                                                                                                 |
| <b>Mating and unmating forces</b><br>(socket and plug) | Mating force: approx. 30 – 70 N (depends on number of poles)<br>Unmating force when not locked:<br>approx. 30 – 70 N (depends on number of poles)<br>Retention force when locked: > 80 N                                    |
| <b>Protection against mismatching</b>                  | All WINSTA components are 100% protected against mismatching in terms of:<br>a.) Plug-in of different number of poles<br>b.) plugging when turned by 180°<br>c.) plugging when laterally staggered<br>d.) plugging one pole |
| <b>Locking levers</b>                                  | All versions are equipped with locking levers ex-factory, so that the plugs are always locked.                                                                                                                              |
| <b>Materials</b>                                       | Insulating parts: Polyamide 6.6 V0, halogen-free (except cable)<br>Contacts: Copper or copper alloy, surface-treated<br>Clamping spring: Stainless steel                                                                    |
| <b>Continuous service temperature</b>                  | $\leq 85^\circ\text{C}$<br>PVC cable for temperatures $\leq 70^\circ\text{C}$ (including halogen-free)<br>Insulating parts for temperatures $\leq 105^\circ\text{C}$                                                        |
| <b>General</b>                                         | First make/last break earth contact,<br>no WINSTA product is compatible with any other connector system available on the market                                                                                             |
| <b>Fire load</b>                                       | On request                                                                                                                                                                                                                  |

# 10 Approvals – User Guide

Updated approvals can be found at [www.wago.com](http://www.wago.com)



• 1: Select "Country"



e.g., Germany



• 2: Select "Products"



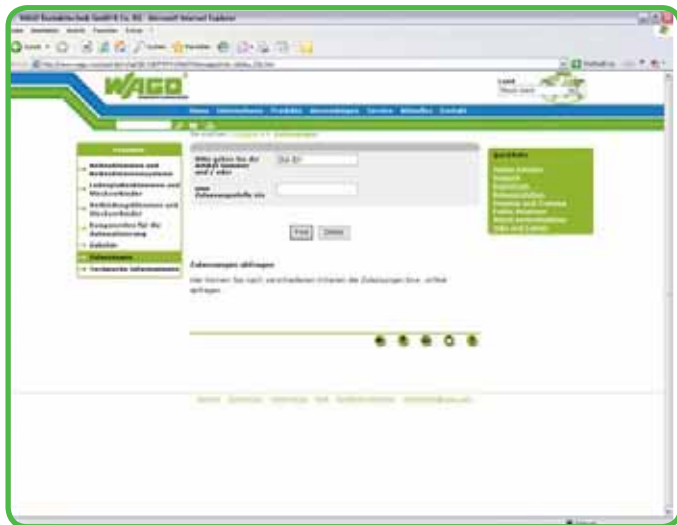
Select "Approvals"



• 3: "Search for Approvals"



Here, you can search the approvals and items according to defined criteria.



## • 4: Entry Options

- a) Item Number  
e.g., 264-301
- b) Certification Agency  
e.g., "UL"
- c) Certification Agency and  
Item Number Range; e.g.,  
"280 - 6" and "UL"

| Artikel No. | Zulassungs-<br>stelle | Zulassungs Nr. | Spannung<br>[ V ] | Strom<br>[ A ] | Querschnitt<br>[ mm <sup>2</sup> ] |
|-------------|-----------------------|----------------|-------------------|----------------|------------------------------------|
| 264-301     | DNV                   | E7569          | 800               | 24             | 2,5                                |
| 264-301     | GL                    | 17295-00HH     | 800               | 24             | 2,5                                |
| 264-301     | KEMA                  | 2079569.04     | 800               |                | 2,5                                |
| 264-301     | KR                    | HMB05880-EL002 | 800               | 24             |                                    |
| 264-301     | LR                    | 91/20242(E3)   | 800               | 24             | 2,5                                |
| 264-301     | RMR                   | 11130002       | 800               | 24             | 2,5                                |
| 264-301     | RosTest               | B09523         | 800               | 24             | 2,5                                |
| 264-301     | SEMKO                 | 9404012        |                   |                | 2,5                                |
| 264-301     | UL                    | E45172         | 600               | 20             | 28-12                              |
| 264-301     | VDE                   | 3945ÜG,BL.2    | 660               |                | 2,5                                |

### Search Result a) Item Number:

*All approvals related to that product will be displayed.*

| Artikel No. | Zulassungs-<br>stelle | Zulassungs Nr. | Spannung<br>[ V ] | Strom<br>[ A ] | Querschnitt<br>[ mm <sup>2</sup> ] |
|-------------|-----------------------|----------------|-------------------|----------------|------------------------------------|
| 2001-1201   | UL                    | E45172         | 600               | 15             | 22-14                              |
| 2001-1202   | UL                    | E45172         | 600               | 15             | 22-14                              |
| 2001-1203   | UL                    | E45172         | 600               | 15             | 22-14                              |
| 2001-1204   | UL                    | E45172         | 600               | 15             | 22-14                              |
| 2001-1205   | UL                    | E45172         | 600               | 15             | 22-14                              |
| 2001-1206   | UL                    | E45172         | 600               | 15             | 22-14                              |
| 2001-1207   | UL                    | E45172         |                   |                | 22-14                              |
| 2001-1301   | UL                    | E45172         | 600               | 15             | 22-14                              |
| 2001-1302   | UL                    | E45172         | 600               | 15             | 22-14                              |
| 2001-1303   | UL                    | E45172         | 600               | 15             | 22-14                              |

### Search Result b) Certification Agency:

*All products approved by that agency will be displayed.*

| Artikel No. | Zulassungs-<br>stelle | Zulassungs Nr. | Spannung<br>[ V ] | Strom<br>[ A ] | Querschnitt<br>[ mm <sup>2</sup> ] |
|-------------|-----------------------|----------------|-------------------|----------------|------------------------------------|
| 280-601     | UL                    | E45172         | 600               | 20             | 28-12                              |
| 280-602     | UL                    | E45172         | 600               | 20             | 28-12                              |
| 280-603     | UL                    | E45172         | 600               | 20             | 28-12                              |
| 280-604     | UL                    | E45172         | 300               | 15             | 28-12                              |
| 280-606     | UL                    | E45172         | 300               | 10             | 28-12                              |
| 280-607     | UL                    | E45172         |                   |                | 28-12                              |
| 280-610     | UL                    | E45172         | 300               | 10             | 28-12                              |
| 280-612     | UL                    | E45172         | 300               | 15             | 28-12                              |
| 280-616     | UL                    | E45172         | 300               | 10             | 28-12                              |
| 280-621     | UL                    | E45172         | 600               | 15             | 28-12                              |

### Search Result c) Certification Agency and Item Numbers:

*The whole range of products approved by that agency will be displayed.*

**Item Number Index**

| Item no.              | Page | Item no.            | Page | Item no.            | Page | Item no.            | Page |
|-----------------------|------|---------------------|------|---------------------|------|---------------------|------|
| <b>206 Series</b>     |      | 770 - 245           | 57   | 770 - 631/106 - 000 | 79   | 770 - 725           | 62   |
| 206 - 118             | 125  | 770 - 253           | 25   | 770 - 631/107 - 000 | 79   | 770 - 733           | 29   |
| 206 - 124             | 125  | 770 - 254           | 45   | 770 - 631/109 - 000 | 79   | 770 - 733/007 - 000 | 29   |
| 206 - 125             | 125  | 770 - 255           | 57   | 770 - 631/110 - 000 | 79   | 770 - 734           | 49   |
| 206 - 126             | 125  |                     |      | 770 - 631/111 - 000 | 79   | 770 - 734/007 - 000 | 49   |
| 206 - 127             | 125  | 770 - 305           | 58   | 770 - 631/112 - 000 | 79   | 770 - 735           | 63   |
| 206 - 128             | 125  | 770 - 315           | 58   | 770 - 632/138 - 000 | 79   | 770 - 735/007 - 000 | 63   |
|                       |      | 770 - 325           | 58   | 770 - 633           | 35   | 770 - 743           | 28   |
|                       |      | 770 - 335           | 58   | 770 - 634           | 35   | 770 - 744           | 48   |
|                       |      |                     |      | 770 - 635           | 35   | 770 - 745           | 62   |
|                       |      | 770 - 401           | 24   | 770 - 636           | 35   | 770 - 753           | 29   |
|                       |      | 770 - 405           | 59   | 770 - 637           | 37   | 770 - 754           | 49   |
|                       |      | 770 - 408           | 31   | 770 - 638           | 37   | 770 - 755           | 63   |
|                       |      | 770 - 415           | 59   | 770 - 640           | 68   |                     |      |
| <b>210 Series</b>     |      | 770 - 418           | 31   | 770 - 643           | 28   | 770 - 803           | 32   |
| 210 - 333             | 127  | 770 - 425           | 59   | 770 - 644           | 48   | 770 - 803/011 - 000 | 33   |
| 210 - 334             | 127  | 770 - 428           | 31   | 770 - 645           | 62   | 770 - 804           | 50   |
|                       |      | 770 - 435           | 59   | 770 - 653           | 34   | 770 - 804/011 - 000 | 51   |
| 210 - 619             | 124  | 770 - 438           | 31   | 770 - 655           | 66   | 770 - 805           | 64   |
| 210 - 620             | 124  |                     |      | 770 - 656           | 34   | 770 - 805/011 - 000 | 65   |
| 210 - 621             | 124  | 770 - 503           | 26   | 770 - 657           | 36   | 770 - 813           | 32   |
| 210 - 622             | 124  | 770 - 503/021 - 000 | 27   | 770 - 658           | 36   | 770 - 813/011 - 000 | 33   |
| 210 - 635             | 124  | 770 - 503/023 - 000 | 26   | 770 - 659           | 67   | 770 - 814           | 50   |
| 210 - 636             | 124  | 770 - 503/032 - 000 | 27   | 770 - 661           | 70   | 770 - 814/011 - 000 | 51   |
|                       |      | 770 - 504           | 46   | 770 - 665           | 34   | 770 - 815           | 64   |
|                       |      | 770 - 504/023 - 000 | 46   | 770 - 667           | 34   | 770 - 815/011 - 000 | 65   |
|                       |      | 770 - 505           | 60   | 770 - 670           | 34   | 770 - 823           | 32   |
|                       |      | 770 - 505/021 - 000 | 61   | 770 - 671           | 67   | 770 - 823/011 - 000 | 33   |
|                       |      | 770 - 505/023 - 000 | 60   | 770 - 672           | 67   | 770 - 824           | 50   |
| <b>770 Series</b>     |      | 770 - 506/029 - 000 | 80   | 770 - 673           | 35   | 770 - 824/011 - 000 | 51   |
| 770 - 100             | 127  | 770 - 507/047 - 000 | 81   | 770 - 675           | 67   | 770 - 825           | 64   |
| 770 - 101             | 24   | 770 - 513           | 26   | 770 - 676           | 52   | 770 - 825/011 - 000 | 65   |
| 770 - 103             | 24   | 770 - 513/021 - 000 | 27   | 770 - 677           | 52   | 770 - 833           | 32   |
| 770 - 104             | 44   | 770 - 513/023 - 000 | 26   | 770 - 681/100 - 000 | 79   | 770 - 833/011 - 000 | 33   |
| 770 - 105             | 56   | 770 - 513/032 - 000 | 27   | 770 - 681/104 - 000 | 79   | 770 - 834           | 50   |
| 770 - 111             | 24   | 770 - 514           | 46   | 770 - 681/106 - 000 | 79   | 770 - 834/011 - 000 | 51   |
| 770 - 113             | 24   | 770 - 514/023 - 000 | 46   | 770 - 681/107 - 000 | 79   | 770 - 835           | 64   |
| 770 - 114             | 44   | 770 - 515           | 60   | 770 - 681/109 - 000 | 79   | 770 - 835/011 - 000 | 65   |
| 770 - 115             | 56   | 770 - 515/021 - 000 | 61   | 770 - 681/110 - 000 | 79   | 770 - 843           | 32   |
| 770 - 121             | 24   | 770 - 515/023 - 000 | 60   | 770 - 681/111 - 000 | 79   | 770 - 843/011 - 000 | 33   |
| 770 - 123             | 24   | 770 - 516/029 - 000 | 80   | 770 - 681/112 - 000 | 79   | 770 - 844           | 50   |
| 770 - 124             | 44   | 770 - 517/047 - 000 | 81   | 770 - 682/138 - 000 | 79   | 770 - 844/011 - 000 | 51   |
| 770 - 125             | 56   | 770 - 523           | 26   | 770 - 683           | 35   | 770 - 845           | 64   |
| 770 - 131             | 24   |                     |      | 770 - 684           | 35   | 770 - 845/011 - 000 | 65   |
| 770 - 133             | 24   | 770 - 601           | 35   | 770 - 685           | 35   | 770 - 853           | 32   |
| 770 - 134             | 44   | 770 - 603           | 34   | 770 - 686           | 35   | 770 - 853/011 - 000 | 33   |
| 770 - 135             | 56   | 770 - 605           | 66   | 770 - 687           | 37   | 770 - 854           | 50   |
|                       |      | 770 - 606           | 34   | 770 - 688           | 37   | 770 - 854/011 - 000 | 51   |
|                       |      | 770 - 607           | 36   | 770 - 690           | 68   | 770 - 855           | 64   |
| 770 - 201             | 24   | 770 - 608           | 36   | 770 - 693           | 28   | 770 - 855/011 - 000 | 65   |
| 770 - 203             | 25   | 770 - 609           | 67   | 770 - 694           | 48   |                     |      |
| 770 - 204             | 45   | 770 - 611           | 70   | 770 - 695           | 62   | 770 - 901           | 66   |
| 770 - 205             | 57   | 770 - 615           | 34   |                     |      | 770 - 902           | 66   |
| 770 - 213             | 25   | 770 - 617           | 67   | 770 - 703           | 28   | 770 - 903           | 66   |
| 770 - 213/002 - 00030 |      | 770 - 619           | 66   | 770 - 703/009 - 000 | 28   | 770 - 907           | 36   |
| 770 - 214             | 45   | 770 - 620           | 67   | 770 - 704           | 48   | 770 - 934           | 35   |
| 770 - 215             | 57   | 770 - 621           | 67   | 770 - 705           | 62   | 770 - 936           | 35   |
| 770 - 221             | 24   | 770 - 622           | 67   | 770 - 713           | 29   | 770 - 940           | 68   |
| 770 - 223             | 25   | 770 - 623           | 35   | 770 - 714           | 49   | 770 - 951           | 66   |
| 770 - 224             | 45   | 770 - 625           | 67   | 770 - 715           | 63   | 770 - 952           | 66   |
| 770 - 225             | 57   | 770 - 626           | 52   | 770 - 714/007 - 000 | 49   | 770 - 953           | 66   |
| 770 - 225             | 57   | 770 - 627           | 52   | 770 - 715           | 63   | 770 - 967           | 34   |
| 770 - 233             | 25   | 770 - 629/101 - 000 | 78   | 770 - 715/007 - 000 | 63   | 770 - 970           | 34   |
| 770 - 233/002 - 00030 |      | 770 - 629/102 - 000 | 78   | 770 - 723           | 28   |                     |      |
| 770 - 234             | 45   | 770 - 631/100 - 000 | 79   | 770 - 723/009 - 000 | 28   | 770 - 1105          | 57   |
| 770 - 235             | 57   | 770 - 631/104 - 000 | 79   | 770 - 724           | 48   | 770 - 1115          | 57   |
| 770 - 243             | 25   |                     |      |                     |      |                     |      |
| 770 - 244             | 45   |                     |      |                     |      |                     |      |



| Item no.              | Page | Item no.             | Page | Item no.               | Page | Item no.   | Page |
|-----------------------|------|----------------------|------|------------------------|------|------------|------|
| 770 - 1303            | 25   | 771 - 9973/217 - ... | 43   | <b>772 Series</b>      |      | 890 - 131  | 10   |
| 770 - 1305            | 57   |                      |      | 772 - 260              | 104  | 890 - 132  | 10   |
| 770 - 1313            | 25   | 771 - 9975/006 - ... | 74   | 772 - 261              | 104  | 890 - 133  | 16   |
| 770 - 1315            | 57   | 771 - 9975/007 - ... | 77   | 772 - 262              | 105  |            |      |
| 770 - 1324            | 45   | 771 - 9975/016 - ... | 74   | 772 - 263              | 105  | 890 - 202  | 11   |
| 770 - 1325            | 57   | 771 - 9975/017 - ... | 77   | 772 - 267              | 104  | 890 - 203  | 17   |
| 770 - 1334            | 45   | 771 - 9975/106 - ... | 74   | 772 - 268              | 105  | 890 - 212  | 11   |
| 770 - 1335            | 57   | 771 - 9975/107 - ... | 77   | 772 - 269              | 105  | 890 - 213  | 17   |
| 770 - 1343            | 25   | 771 - 9975/116 - ... | 74   |                        |      | 890 - 222  | 11   |
| 770 - 1353            | 25   | 771 - 9975/117 - ... | 77   |                        |      | 890 - 223  | 17   |
| 770 - 1363            | 25   | 771 - 9975/206 - ... | 74   |                        |      | 890 - 232  | 11   |
| 770 - 1373            | 25   | 771 - 9975/207 - ... | 77   |                        |      | 890 - 233  | 17   |
| 770 - 1373/146 - 000  | 30   | 771 - 9975/216 - ... | 74   |                        |      | 890 - 242  | 11   |
| 770 - 1373/147 - 000  | 30   | 771 - 9975/217 - ... | 77   |                        |      | 890 - 243  | 17   |
| 770 - 1373/148 - 000  | 30   |                      |      | <b>774 Series</b>      |      | 890 - 252  | 11   |
| 770 - 1373/149 - 000  | 30   | 771 - 9985/006 - ... | 73   | 774 - 9993/006 - ...   | 88   | 890 - 253  | 17   |
|                       |      | 771 - 9985/007 - ... | 76   | 774 - 9993/007 - ...   | 89   |            |      |
| 770 - 2105            | 62   | 771 - 9985/016 - ... | 73   | 774 - 9993/016 - ...   | 88   | 890 - 392  | 124  |
| 770 - 2115            | 63   | 771 - 9985/017 - ... | 76   | 774 - 9993/017 - ...   | 89   | 890 - 393  | 124  |
| 770 - 2115/007 - 000  | 63   | 771 - 9985/106 - ... | 73   | 774 - 9993/106 - ...   | 88   |            |      |
|                       |      | 771 - 9985/107 - ... | 76   | 774 - 9993/107 - ...   | 89   | 890 - 502  | 11   |
| 770 - 2303            | 28   | 771 - 9985/116 - ... | 73   | 774 - 9993/116 - ...   | 88   | 890 - 503  | 17   |
| 770 - 2305            | 62   | 771 - 9985/117 - ... | 76   | 774 - 9993/117 - ...   | 89   | 890 - 512  | 11   |
| 770 - 2313            | 29   | 771 - 9985/206 - ... | 73   | 774 - 9993/206 - ...   | 88   | 890 - 513  | 17   |
| 770 - 2313/007 - 000  | 29   | 771 - 9985/207 - ... | 76   | 774 - 9993/207 - ...   | 89   | 890 - 523  | 16   |
| 770 - 2315            | 63   | 771 - 9985/216 - ... | 73   | 774 - 9993/216 - ...   | 88   |            |      |
| 770 - 2324            | 48   | 771 - 9985/217 - ... | 76   | 774 - 9993/217 - ...   | 89   | 890 - 601  | 13   |
| 770 - 2325            | 62   |                      |      | 774 - 9994/006 - ...   | 90   | 890 - 606  | 19   |
| 770 - 2334            | 49   | 771 - 9993/006 - ... | 38   | 774 - 9994/016 - ...   | 90   | 890 - 615  | 19   |
| 770 - 2334/007 - 000  | 49   | 771 - 9993/007 - ... | 42   | 774 - 9994/106 - ...   | 90   | 890 - 623  | 19   |
| 770 - 2335            | 63   | 771 - 9993/016 - ... | 38   | 774 - 9994/116 - ...   | 90   | 890 - 634  | 19   |
| 770 - 2335/007 - 000  | 63   | 771 - 9993/017 - ... | 42   | 774 - 9994/206 - ...   | 90   | 890 - 636  | 19   |
| 770 - 2343            | 28   | 771 - 9993/106 - ... | 38   | 774 - 9994/216 - ...   | 90   | 890 - 642  | 12   |
| 770 - 2353            | 29   | 771 - 9993/107 - ... | 42   |                        |      | 890 - 643  | 18   |
| 770 - 2363            | 28   | 771 - 9993/116 - ... | 38   |                        |      | 890 - 656  | 19   |
|                       |      | 771 - 9993/117 - ... | 42   | <b>831 Series</b>      |      | 890 - 665  | 19   |
| 770 - 3105            | 64   | 771 - 9993/206 - ... | 38   | 831 - 3105/019 - 004   | 84   | 890 - 673  | 19   |
| 770 - 3105/011 - 000  | 65   | 771 - 9993/207 - ... | 42   | 831 - 3105/019 - 050   | 84   | 890 - 684  | 19   |
| 770 - 3115            | 64   | 771 - 9993/216 - ... | 38   |                        |      | 890 - 686  | 19   |
| 770 - 3115/011 - 000  | 65   | 771 - 9993/217 - ... | 42   |                        |      | 890 - 692  | 12   |
|                       |      | 771 - 9993/306 - ... | 40   |                        |      | 890 - 693  | 18   |
|                       |      | 771 - 9993/406 - ... | 40   |                        |      |            |      |
|                       |      | 771 - 9993/805 - ... | 41   |                        |      | 890 - 702  | 12   |
|                       |      |                      |      |                        |      | 890 - 703  | 18   |
|                       |      | 771 - 9994/006 - ... | 54   |                        |      | 890 - 712  | 12   |
|                       |      | 771 - 9994/016 - ... | 54   |                        |      | 890 - 713  | 18   |
| <b>771 Series</b>     |      | 771 - 9994/106 - ... | 54   |                        |      | 890 - 722  | 12   |
| 771 - 8965/007 - ...  | 71   | 771 - 9994/116 - ... | 54   |                        |      | 890 - 723  | 18   |
| 771 - 8965/017 - ...  | 71   | 771 - 9994/206 - ... | 54   |                        |      | 890 - 732  | 12   |
| 771 - 8965/107 - ...  | 71   | 771 - 9994/216 - ... | 54   |                        |      | 890 - 733  | 18   |
| 771 - 8965/117 - ...  | 71   |                      |      |                        |      | 890 - 742  | 12   |
|                       |      | 771 - 9995/006 - ... | 72   | <b>888 Series</b>      |      | 890 - 743  | 18   |
| 771 - 8973/2 .. - ... | 40   | 771 - 9995/007 - ... | 75   | 888 - 0402/0510 - 0000 | 127  | 890 - 752  | 12   |
| 771 - 8993/1004 - 051 | 41   | 771 - 9995/016 - ... | 72   |                        |      | 890 - 753  | 18   |
|                       |      | 771 - 9995/017 - ... | 75   |                        |      |            |      |
| 771 - 9973/006 - ...  | 39   | 771 - 9995/106 - ... | 72   |                        |      | 890 - 1102 | 11   |
| 771 - 9973/007 - ...  | 43   | 771 - 9995/107 - ... | 75   |                        |      | 890 - 1112 | 11   |
| 771 - 9973/016 - ...  | 39   | 771 - 9995/116 - ... | 72   | <b>890 Series</b>      |      |            |      |
| 771 - 9973/017 - ...  | 43   | 771 - 9995/117 - ... | 75   | 890 - 102              | 10   | 890 - 2102 | 12   |
| 771 - 9973/106 - ...  | 39   | 771 - 9995/206 - ... | 72   | 890 - 103              | 16   | 890 - 2112 | 12   |
| 771 - 9973/107 - ...  | 43   | 771 - 9995/207 - ... | 75   | 890 - 111              | 10   | 890 - 1606 | 13   |
| 771 - 9973/116 - ...  | 39   | 771 - 9995/216 - ... | 72   | 890 - 112              | 10   | 890 - 1615 | 13   |
| 771 - 9973/117 - ...  | 43   | 771 - 9995/217 - ... | 75   | 890 - 113              | 16   | 890 - 1617 | 13   |
| 771 - 9973/206 - ...  | 39   |                      |      | 890 - 122              | 10   | 890 - 1620 | 13   |
| 771 - 9973/207 - ...  | 43   |                      |      | 890 - 123              | 16   | 890 - 1622 | 13   |
| 771 - 9973/216 - ...  | 39   |                      |      |                        |      |            |      |

**Item Number Index**

| Item no.             | Page | Item no.             | Page | Item no.   | Page | Item no. | Page |
|----------------------|------|----------------------|------|------------|------|----------|------|
| 890 - 1634           | 13   | <b>894 Series</b>    |      | 897 - 262  | 107  |          |      |
| 890 - 1636           | 13   | 894 - 8992/033 - 106 | 100  | 897 - 453  | 107  |          |      |
| 890 - 1656           | 13   | 894 - 8992/033 - 107 | 101  |            |      |          |      |
| 890 - 1665           | 13   | 894 - 8992/033 - 306 | 100  | 897 - 839  | 116  |          |      |
| 890 - 1672           | 13   | 894 - 8992/033 - 307 | 101  | 897 - 859  | 118  |          |      |
| 890 - 1684           | 13   | 894 - 8992/033 - 506 | 100  | 897 - 878  | 106  |          |      |
| 890 - 1686           | 13   | 894 - 8992/033 - 507 | 101  |            |      |          |      |
|                      |      | 894 - 8992/133 - 106 | 100  | 897 - 900  | 106  |          |      |
|                      |      | 894 - 8992/133 - 107 | 101  | 897 - 901  | 121  |          |      |
|                      |      | 894 - 8992/133 - 306 | 100  | 897 - 931  | 126  |          |      |
|                      |      | 894 - 8992/133 - 307 | 101  | 897 - 951  | 126  |          |      |
|                      |      | 894 - 8992/133 - 506 | 100  | 897 - 952  | 126  |          |      |
|                      |      | 894 - 8992/133 - 507 | 101  | 897 - 970  | 126  |          |      |
| <b>891 Series</b>    |      | 894 - 8992/233 - 106 | 100  | 897 - 971  | 126  |          |      |
| 891 - 8992/005 - ... | 14   | 894 - 8992/233 - 107 | 101  | 897 - 972  | 126  |          |      |
| 891 - 8992/015 - ... | 14   | 894 - 8992/233 - 306 | 100  |            |      |          |      |
| 891 - 8992/105 - ... | 14   | 894 - 8992/233 - 307 | 101  | 897 - 1050 | 119  |          |      |
| 891 - 8992/115 - ... | 14   | 894 - 8992/233 - 506 | 100  | 897 - 1051 | 119  |          |      |
| 891 - 8992/205 - ... | 14   | 894 - 8992/233 - 507 | 101  | 897 - 1052 | 119  |          |      |
| 891 - 8992/215 - ... | 14   |                      |      |            |      |          |      |
| 891 - 8992/006 - ... | 15   |                      |      | 897 - 1650 | 121  |          |      |
| 891 - 8992/016 - ... | 15   |                      |      | 897 - 1651 | 121  |          |      |
| 891 - 8992/106 - ... | 15   |                      |      | 897 - 1652 | 121  |          |      |
| 891 - 8992/116 - ... | 15   |                      |      |            |      |          |      |
| 891 - 8992/206 - ... | 15   |                      |      |            |      |          |      |
| 891 - 8992/216 - ... | 15   |                      |      |            |      |          |      |
|                      |      | <b>895 Series</b>    |      |            |      |          |      |
| 891 - 8993/005 - ... | 20   | 895 - 1051           | 118  |            |      |          |      |
| 891 - 8993/015 - ... | 20   | 895 - 1052           | 118  |            |      |          |      |
| 891 - 8993/105 - ... | 20   |                      |      |            |      |          |      |
| 891 - 8993/115 - ... | 20   | 895 - 1601           | 120  |            |      |          |      |
| 891 - 8993/205 - ... | 20   | 895 - 1602           | 120  |            |      |          |      |
| 891 - 8993/215 - ... | 20   | 895 - 1603           | 120  |            |      |          |      |
|                      |      | 895 - 1604           | 120  |            |      |          |      |
|                      |      | 895 - 1605           | 120  |            |      |          |      |
|                      |      | 895 - 1651           | 120  |            |      |          |      |
|                      |      | 895 - 1652           | 120  |            |      |          |      |
|                      |      |                      |      |            |      |          |      |
| <b>893 Series</b>    |      |                      |      |            |      |          |      |
| 893 - 121            | 112  |                      |      |            |      |          |      |
| 893 - 122            | 113  | <b>896 Series</b>    |      |            |      |          |      |
| 893 - 129            | 113  | 896 - 231            | 116  |            |      |          |      |
|                      |      | 896 - 232            | 116  |            |      |          |      |
| 893 - 261            | 108  | 896 - 233            | 117  |            |      |          |      |
| 893 - 262            | 109  | 896 - 234            | 117  |            |      |          |      |
| 893 - 269            | 109  |                      |      |            |      |          |      |
|                      |      |                      |      |            |      |          |      |
| 893 - 1002           | 94   |                      |      |            |      |          |      |
| 893 - 1012           | 94   |                      |      |            |      |          |      |
| 893 - 1022           | 95   |                      |      |            |      |          |      |
| 893 - 1032           | 95   |                      |      |            |      |          |      |
|                      |      | <b>897 Series</b>    |      |            |      |          |      |
| 893 - 1606           | 98   | 897 - 120            | 114  |            |      |          |      |
| 893 - 1656           | 99   | 897 - 121            | 114  |            |      |          |      |
|                      |      | 897 - 122            | 114  |            |      |          |      |
| 893 - 2002           | 96   |                      |      |            |      |          |      |
| 893 - 2012           | 96   | 897 - 230            | 117  |            |      |          |      |
| 893 - 2022           | 97   | 897 - 231            | 117  |            |      |          |      |
| 893 - 2032           | 97   | 897 - 232            | 117  |            |      |          |      |
|                      |      | 897 - 250            | 106  |            |      |          |      |
|                      |      | 897 - 251            | 106  |            |      |          |      |
|                      |      | 897 - 253            | 106  |            |      |          |      |
|                      |      | 897 - 260            | 107  |            |      |          |      |
|                      |      | 897 - 261            | 107  |            |      |          |      |



|                                                 | Catalog<br>Catalog (page) |
|-------------------------------------------------|---------------------------|
| <b>A</b>                                        |                           |
| Actuator and actuator LED terminal blocks       |                           |
| – Rail-mounted terminal blocks                  | 1                         |
| Actuator cables                                 | 3, 4                      |
| Additional modules for matrix patchboards       | 1                         |
| Addressing tool                                 | 3                         |
| Alternate comb type jumper bars                 | 1                         |
| Analog input modules                            | 3                         |
| Analog output modules                           | 3                         |
| Analog signal conditioning modules, pluggable   | 4                         |
| AND gate modules                                |                           |
| – pluggable                                     | 4                         |
| Angled female connectors                        |                           |
| see “MULTI CONNECTION SYSTEM”,                  |                           |
| 100% protected against mismatching,             |                           |
| standard version                                | 2                         |
| Angled support brackets                         | 1, 3, 4                   |
| Antenna (SMA plug)                              | 3, 4, 5 (78)              |
| Approvals                                       | 1, 2, 3, 4                |
| AS-Interface I/O system                         | 3                         |
| AS-Interface master module                      | 3                         |
| AS-Interface power supply unit                  | 3, 4                      |
| AS-Interface slaves                             | 3                         |
| A/D converters in DIN-rail mountable enclosures | 4                         |
| <b>B</b>                                        |                           |
| Back-up capacitor module                        | 3, 4                      |
| BACnet controller                               | 3                         |
| Banana plugs                                    | 1                         |
| Binary spacer module                            | 3                         |
| Bistable switching relays                       |                           |
| – DIN-rail mountable                            | 4                         |
| – pluggable                                     | 4                         |
| Block I/O SYSTEM                                | 3                         |
| Bluetooth I/O module                            | 3                         |
| Bridge rectifiers                               | 4                         |
| Building automation                             | 3                         |
| Busbar terminal blocks                          | 1                         |

|                                                | Catalog<br>Catalog (page) |
|------------------------------------------------|---------------------------|
| <b>C</b>                                       |                           |
| Cable assemblies                               |                           |
| – WINSTA® MINI                                 | 5 (14, 20)                |
| – WINSTA® MIDI                                 | 5 (38, 54, 72)            |
| – WINSTA® RD                                   | 5 (88)                    |
| – WINSTA® KNX                                  | 5 (100)                   |
| Cable harness support                          | 1                         |
| Cable marking                                  | 3, 4                      |
| Cables and connectors                          | 3, 4                      |
| Cables and connectors                          |                           |
| for fieldbus systems                           | 3                         |
| CAGE CLAMP® connection                         | 1, 2                      |
| CAGE CLAMP®S connection                        | 1, 2, 5 (7)               |
| CAL® fieldbus components                       | 3                         |
| CANopen® fieldbus components                   | 3                         |
| Carrier rails                                  | 1, 3, 4                   |
| Carrier/Receptacle terminal blocks, f.-e.,     |                           |
| as double/triple deck terminal blocks          |                           |
| X-COM®-SYSTEM                                  | 1                         |
| CC-Link fieldbus coupler                       | 3                         |
| CC-Link fieldbus connector                     | 3                         |
| CD ELECTRONICC Tools and Docs                  | 3, 4                      |
| CE marking                                     | 1, 2, 3, 4                |
| Changeover modules, pluggable                  | 4                         |
| Changeover rocker switch                       | 4                         |
| Codings, WINSTA®                               | 5 (146 - 147)             |
| Collective carrier for jumpers                 | 1                         |
| Comb type jumper bars                          | 1                         |
| Combi PCB terminal blocks                      | 2                         |
| Combi strip                                    | 2                         |
| Commissioning software                         | 3, 4                      |
| Common potential matrix patchboards            | 1                         |
| Commoning strips                               |                           |
| for PCB terminal strips                        | 2                         |
| Compact terminal blocks                        |                           |
| see “Miniature (rail-mounted) terminal blocks” |                           |
| Compact terminal strips                        | 1                         |
| Companies and representations                  |                           |
| WAGO worldwide                                 | 1, 2, 3, 4, 5 (168)       |
| Computer marking                               | 1, 2, 3, 4                |
| Condition monitoring                           | 3                         |
| Configuration cable                            | 3                         |
| Configuration files                            | 3                         |
| Connecting cable                               | 3, 4                      |
| Connection modules                             |                           |
| for sensors and actuators                      | 4                         |
| Connection of aluminum wires                   | 1                         |
| Connector system,                              |                           |
| 10 or 20 poles                                 | 2                         |
| Connector, pluggable                           | 3                         |
| Connectors for KNX bus coupler units           | 2                         |
| Connectors                                     |                           |
| – wire-tap branch ; 3- and 6-pole              |                           |
| (elevator shaft technology)                    | 2                         |
| – for KNX applications                         | 2, 5 (92 - 101)           |
| – 10- or 20-pole connectors for racks          | 2                         |
| – for PCBs                                     | 2, 5 (32, 50, 64)         |
| – MULTI CONNECTION SYSTEM                      | 2                         |
| – WINSTA®                                      | 5                         |
| – X-COM®-SYSTEM                                | 1, 2                      |

|                                                                  | Catalog<br>Catalog (page) |
|------------------------------------------------------------------|---------------------------|
| Constant voltage sources,                                        |                           |
| – DIN-rail mountable                                             | 3, 4                      |
| Contact paste “Alu-Plus”                                         | 1, 2                      |
| Converter, DC/DC                                                 |                           |
| – DIN-rail mountable                                             | 4                         |
| – Rail-mounted terminal block                                    | 4                         |
| Converters, 10 Bit A/D, D/A                                      |                           |
| in DIN-rail-mountable enclosure                                  | 4                         |
| Cover for rail-mounted terminal blocks                           | 1                         |
| Crimping tools for ferrules                                      | 1, 2                      |
| Current-carrying capacity curves                                 |                           |
| – X-COM®-SYSTEM                                                  | 1, 2                      |
| – MULTI CONNECTION SYSTEM                                        | 2                         |
| Current flow monitoring modules,                                 |                           |
| pluggable                                                        | 4                         |
| <b>D</b>                                                         |                           |
| DALI/DSI master module                                           | 3                         |
| Data exchange coupler                                            | 3                         |
| Data exchange module                                             | 3                         |
| DC/DC converters                                                 |                           |
| – Terminal blocks                                                | 4                         |
| – DIN-rail mountable                                             | 4                         |
| Decade marker carrier                                            | 1                         |
| Decentralized building automation                                | 3                         |
| Derating curves                                                  |                           |
| see “current-carrying capacity curves”                           |                           |
| Device connectors                                                |                           |
| – WINSTA® MINI                                                   | 5 (12, 18)                |
| – WINSTA® MIDI                                                   | 5 (28, 48, 62)            |
| DeviceNet® fieldbus components                                   | 3                         |
| Differential inputs and differential measurement inputs,         |                           |
| see “Analog input modules”                                       | 3                         |
| Digital impulse interface                                        | 3                         |
| Digital input modules                                            | 3                         |
| Digital output modules                                           | 3                         |
| Diode double deck terminal blocks, f.-e.                         | 1                         |
| Diode gate modules,                                              |                           |
| – DIN-rail mountable                                             | 4                         |
| – pluggable                                                      | 4                         |
| Diode modules, for carrier or through terminal blocks, pluggable | 1                         |
| Diode triple deck terminal blocks, f.-e.                         | 1                         |
| Diode terminal blocks, f.-e.                                     | 1                         |
| Disconnect terminal blocks, f.-e.,                               |                           |
| angled type,                                                     |                           |
| with movable disconnect slide link,                              |                           |
| knife disconnect                                                 |                           |
| horizontal type,                                                 |                           |
| double deck terminal blocks,                                     |                           |
| with disconnect tab                                              | 1                         |

|                                                                                                                                                                                       | Catalog<br>Catalog (page) |
|---------------------------------------------------------------------------------------------------------------------------------------------------------------------------------------|---------------------------|
| Disconnect terminal blocks for test and measurement, f.-e., angled type (for current or voltage transformer circuits), horizontal type, with movable knife disconnect, disconnect tab | 1                         |
| Disconnect terminal blocks for test and measurement, s.-e.                                                                                                                            | 1                         |
| Distribution cables (sensor/actuator)                                                                                                                                                 | 3, 4                      |
| Distribution connectors, WINSTA®                                                                                                                                                      |                           |
| – MINI                                                                                                                                                                                | 5 (13, 19)                |
| – MIDI                                                                                                                                                                                | 5 (34, 52, 67)            |
| – KNX                                                                                                                                                                                 | 5 (98, 99)                |
| Distribution terminal blocks, f.-e. see "topJob® multilevel installation terminal blocks"                                                                                             | 1                         |
| DLL MODBUS®/TCP software                                                                                                                                                              | 3                         |
| Documentation                                                                                                                                                                         | 3, 4                      |
| Double deck headers<br>MULTI CONNECTION SYSTEM                                                                                                                                        | 2                         |
| Double deck terminal blocks, f.-e.<br>Diode terminal blocks, LED terminal blocks                                                                                                      | 1                         |
| Double deck terminal strips<br>for PCBs                                                                                                                                               | 2                         |
| Double pin headers<br>see MULTI CONNECTION SYSTEM MIDI                                                                                                                                | 2                         |
| Double potential terminal blocks, f.-e.<br>for matrix patching                                                                                                                        | 1                         |
| Down counter see "Up/down counters"                                                                                                                                                   |                           |
| D/A converters in DIN-rail mountable enclosures                                                                                                                                       | 4                         |
| D-Sub fieldbus connector                                                                                                                                                              | 3                         |

## E

|                                                                      |         |
|----------------------------------------------------------------------|---------|
| EC directives                                                        | 1       |
| EDS files see "Configuration files"                                  |         |
| Electronic modules                                                   | 4       |
| Electronic terminal blocks with pluggable miniature switching relays | 4       |
| Empty component plug housings for building custom circuits           |         |
| – on terminal blocks for pluggable modules                           | 4       |
| – on rail-mounted terminal blocks                                    | 4       |
| Empty housings for building custom circuits                          | 4       |
| Enclosures for<br>WAGO-I/O-SYSTEM 750                                | 3       |
| End module                                                           | 3       |
| End stops                                                            |         |
| – for DIN 15 rail                                                    | 1       |
| – for DIN 35 rail                                                    | 1, 3, 4 |

## F

|                                                                                                                 | Catalog<br>Catalog (page) |
|-----------------------------------------------------------------------------------------------------------------|---------------------------|
| EnOcean switches                                                                                                | 3, 4                      |
| EnOcean technology                                                                                              | 3, 4                      |
| ETHERNET® fieldbus components                                                                                   | 3                         |
| Ex e II Double potential through terminal blocks, f.-e.                                                         | 1                         |
| Ex e II Miniature ground (earth) conductor terminal blocks, for DIN 15 and DIN 35 rails                         | 1                         |
| Ex e II Miniature through terminal blocks, f.-e., for DIN 15 and DIN 35 rails                                   | 1                         |
| Ex e II Modular terminal blocks and terminal strips, with fixing flanges or snap-in mounting feet, f.-e., s.-e. | 1                         |
| Ex e II PCB terminal blocks                                                                                     | 2                         |
| Ex e II Through terminal blocks, f.-e., angled type, topJob®, TOPJOB®S, horizontal type                         | 1                         |
| Ex i Fieldbus modules                                                                                           | 3                         |
| Ex i Terminal blocks see "Through terminal blocks"                                                              |                           |
| Extended input voltage and operating temperature range                                                          | 4                         |
| 8-level terminal blocks for matrix patching and potential terminal blocks                                       | 1                         |

## F

|                                                                 |               |
|-----------------------------------------------------------------|---------------|
| Fault indicator modules, pluggable                              | 4             |
| Feedthrough terminal strips<br>– for PCBs                       | 2             |
| Ferrules                                                        | 1, 2          |
| Female and male connectors<br>see "Connectors; e.g., for racks" |               |
| Female connectors<br>see MULTI CONNECTION SYSTEM                | 2             |
| Female sockets for elevator shaft technology                    | 2             |
| Female terminal blocks                                          | 2             |
| Field side connection module                                    | 3             |
| Field side power supply filter module                           | 3             |
| Fieldbus components                                             | 3             |
| Fieldbus controllers                                            | 3             |
| Fieldbus couplers                                               | 3             |
| Fieldbus plugs                                                  | 3             |
| Filter modules                                                  | 3             |
| Firewire fieldbus coupler                                       | 3             |
| FIT CLAMP connection (IDC)                                      | 1             |
| Flat cable systems                                              | 5 (102 - 121) |
| Flip-Flop module                                                | 4             |

## G

|                                                                                                              | Catalog<br>Catalog (page) |
|--------------------------------------------------------------------------------------------------------------|---------------------------|
| Function blocks                                                                                              | 4                         |
| Function blocks for building automation                                                                      | 3                         |
| Fuse modules                                                                                                 |                           |
| – pluggable on carrier terminal blocks                                                                       | 1                         |
| – pluggable on receptacle terminal blocks                                                                    | 4                         |
| Fuse terminal blocks, f.-e., angled type for mini-automotive blade-type fuses, with pivotable fuse holder    | 1                         |
| Fuse terminal blocks, s.-e.                                                                                  | 1                         |
| 4-level terminal blocks for matrix patching and potential terminal blocks                                    | 1                         |
| 4-conductor terminal strips for electrical devices                                                           | 1                         |
| 4-conductor terminal blocks<br>see "Through terminal blocks, ground (earth) conductor terminal blocks, etc." |                           |

## G

|                                                                                                                                                                                                                                                                        |         |
|------------------------------------------------------------------------------------------------------------------------------------------------------------------------------------------------------------------------------------------------------------------------|---------|
| Gate modules                                                                                                                                                                                                                                                           |         |
| – DIN-rail mountable                                                                                                                                                                                                                                                   | 4       |
| – pluggable                                                                                                                                                                                                                                                            | 4       |
| Ground (earth) conductor disconnect terminal blocks, f.-e.                                                                                                                                                                                                             | 1       |
| Ground (earth) conductor disconnect terminal blocks, s.-e.                                                                                                                                                                                                             | 1       |
| Ground (earth) conductor terminal blocks, angled type, f.-e., supply terminal blocks, topJob® (rail-mounted) terminal blocks, horizontal type, f.-e., 4 mm <sup>2</sup> double deck terminal blocks triple deck terminal blocks TOPJOB®S rail-mounted) terminal blocks | 1       |
| Ground (earth) conductor terminal blocks, miniature<br>– for DIN 15 and DIN 35 rails                                                                                                                                                                                   | 1       |
| Ground (earth) conductor terminal blocks with IDC connection (FIT CLAMP)                                                                                                                                                                                               | 1       |
| Ground (earth) conductor terminal blocks, s.-e., high current                                                                                                                                                                                                          | 1       |
| Group marker carriers                                                                                                                                                                                                                                                  | 1, 3, 4 |
| GSD files see "Configuration files"                                                                                                                                                                                                                                    |         |

|                                                                                        | Catalog<br>Catalog (page) |
|----------------------------------------------------------------------------------------|---------------------------|
| <b>H</b>                                                                               |                           |
| Headers and male connectors                                                            |                           |
| <i>MULTI CONNECTION SYSTEM</i>                                                         | 2                         |
| X-COM®.SYSTEM                                                                          | 1, 2                      |
| Headers for double deck assembly                                                       |                           |
| <i>MULTI CONNECTION SYSTEM</i>                                                         | 2                         |
| High current PCB terminal blocks and terminal strips                                   | 2                         |
| h-distribution connectors                                                              |                           |
| – WINSTA® MINI                                                                         | 5 (13, 19)                |
| – WINSTA® MIDI                                                                         | 5 (35)                    |
| <b>I</b>                                                                               |                           |
| IDC connection (FIT CLAMP)                                                             | 1                         |
| IEC/EN specifications                                                                  | 1, 3, 4                   |
| Incremental encoder interface                                                          | 3                         |
| Indicator modules                                                                      |                           |
| see "LED gate modules, connectors, terminal blocks"                                    |                           |
| Industrial compact PC                                                                  | 3                         |
| Input voltage range, extended                                                          | 4                         |
| Installation distribution terminal blocks                                              |                           |
| see also "Multilevel installation terminal blocks"                                     |                           |
| Insulation stops for matrix patchboards, rail-mounted terminal blocks, terminal strips | 1                         |
| INTERBUS® fieldbus components                                                          | 3                         |
| Interface modules                                                                      | 4                         |
| – for sensors and actuators                                                            | 4                         |
| – for ETHERNET                                                                         | 4                         |
| – for ERNI mating connector                                                            | 4                         |
| – for Harting mating connector                                                         | 4                         |
| – for Siemens-SIMATIC                                                                  | 4                         |
| – for connectors                                                                       | 4                         |
| – with header                                                                          | 4                         |
| – with subminiature D connectors                                                       | 4                         |
| Interface software                                                                     | 3                         |
| Intermediate coupler, WINSTA®                                                          |                           |
| – MIDI                                                                                 | 5 (34, 66)                |
| Internal data bus extension modules                                                    | 3                         |
| Intruder detection see                                                                 |                           |
| "Digital input modules"                                                                | 3                         |
| Isolation amplifier                                                                    | 4                         |
| Item number index                                                                      | 1, 2, 3, 4, 5 (158)       |
| I/O enclosures                                                                         | 3                         |
| I/O modules                                                                            |                           |
| see WAGO-I/O-SYSTEM                                                                    | 3                         |
| I/O modules for severe conditions                                                      |                           |
| – WAGO-I/O-SYSTEM 755                                                                  | 3                         |
| I/O system                                                                             | 3                         |
| II/O-LIGHTBUS fieldbus components                                                      | 3                         |

|                                                                  | Catalog<br>Catalog (page)  |
|------------------------------------------------------------------|----------------------------|
| <b>J</b>                                                         |                            |
| Jumpers for rail-mounted terminal blocks                         |                            |
| – Step-down jumpers,                                             |                            |
| – staggered jumpers                                              | 1                          |
| – Push-in type wire jumpers                                      | 1                          |
| <i>JUMPFLEX</i>                                                  | 4                          |
| Junction and distribution connectors, MICRO for KNX applications | 2                          |
| <b>K</b>                                                         |                            |
| KNX applications                                                 |                            |
| – MICRO junction and distribution connectors                     | 2                          |
| – Connectors (bus coupler units)                                 | 2, 5 (92 - 101, 113)       |
| KNX IP controller                                                | 3                          |
| KNX/EIB/TP1 module                                               | 3                          |
| <b>L</b>                                                         |                            |
| Lamp demonstration connector ("Service" connectors)              | 1                          |
| Lamp test circuit gate modules                                   |                            |
| – DIN-rail mountable                                             | 4                          |
| Laterally movable marking system                                 | 1                          |
| LED and neon indicator modules, pluggable                        | 1                          |
| LED double deck terminal blocks, f.-e.                           | 1                          |
| LED gate modules,                                                |                            |
| – DIN-rail mountable                                             | 4                          |
| – pluggable                                                      | 4                          |
| LED terminal blocks, f.-e.                                       | 1                          |
| LED triple deck terminal blocks, f.-e.                           | 1                          |
| Lighting connectors                                              | 1                          |
| Lighting control DALI/DSI                                        | 3                          |
| Lighting protection                                              | 4                          |
| Locking levers                                                   |                            |
| – WINSTA® MINI                                                   | 5 (10)                     |
| – WINSTA® MIDI                                                   | 5 (24)                     |
| Lockout cap, WINSTA®                                             |                            |
| – MINI                                                           | 5 (12, 18)                 |
| – MIDI                                                           | 5 (24, 28, 44, 48, 56, 62) |
| Lockout caps                                                     | 2                          |
| Longitudinal disconnect terminal blocks                          | 1                          |
| LONWORKS® fieldbus components                                    | 3                          |

|                                                                                                        | Catalog<br>Catalog (page) |
|--------------------------------------------------------------------------------------------------------|---------------------------|
| <b>M</b>                                                                                               |                           |
| Magnetic antenna                                                                                       | 3, 4                      |
| Male and female connectors                                                                             |                           |
| see "Connectors; e.g., for racks"                                                                      |                           |
| Manual operation module                                                                                | 4                         |
| Manuals for fieldbus components                                                                        | 3                         |
| Marker branches                                                                                        | 1                         |
| Marker cards                                                                                           |                           |
| – (Miniature WSB cards) Miniature WAGO Quick marking system                                            | 1, 2, 3, 4                |
| – Self-adhesive strips                                                                                 |                           |
| computer marked                                                                                        | 1                         |
| – (WMB cards) WAGO Multi marking system                                                                | 1, 2, 3, 4                |
| – (WSB cards) WAGO Quick marking system                                                                | 1, 2, 4                   |
| Marker cards                                                                                           |                           |
| for WAGO group marker carriers                                                                         | 1, 3, 4                   |
| Marker carriers                                                                                        | 1                         |
| Marker strips, self-adhesive                                                                           | 2                         |
| Marker tags                                                                                            | 1                         |
| Marking                                                                                                | 1, 2, 3, 4, 5 (127)       |
| Marking pen with fiber tip                                                                             | 1, 2, 3, 4                |
| Material specification for insulation materials, contact materials, contact surface                    | 1                         |
| Measurement and disconnect terminal blocks                                                             |                           |
| see "Disconnect terminal blocks for test and measurement"                                              |                           |
| MICRO junction and distribution connectors for KNX applications                                        | 2                         |
| MICRO push-wire connectors for junction boxes                                                          | 1                         |
| Miniature ground (earth) conductor terminal blocks, f.-e.                                              |                           |
| for DIN 15 and DIN 35 rails                                                                            | 1                         |
| Miniature switching relays                                                                             | 4                         |
| Miniature through terminal blocks, f.-e.                                                               |                           |
| for DIN 15 and DIN 35 rails                                                                            | 1                         |
| Miniature WSB Quick marking system (marker cards)                                                      | 1, 2, 3, 4                |
| MODBUS® fieldbus components                                                                            | 3                         |
| Modular feed-through terminal blocks                                                                   | 2                         |
| Modular I/O system                                                                                     |                           |
| WAGO-I/O-SYSTEM 750                                                                                    | 3                         |
| Modular PCB female connectors                                                                          | 2                         |
| Modular PCB terminal blocks                                                                            |                           |
| – Fuse and disconnect/test terminal blocks                                                             |                           |
| – f.-e. and s.-e., high current                                                                        |                           |
| – 1-conductor, 2-conductor                                                                             | 2                         |
| Modular terminal blocks                                                                                |                           |
| – with screw-clamp connection                                                                          | 2                         |
| Modular terminal blocks and terminal strips with fixing flanges or snap-in mounting feet, f.-e., s.-e. | 1                         |
| Modular test plug adapters                                                                             |                           |
| see "Test plug adapters"                                                                               |                           |
| Modular test plugs                                                                                     |                           |
| with CAGE CLAMP®S connection                                                                           | 1                         |
| Modules for building custom circuits                                                                   | 4                         |

|                                                     | Catalog<br>Catalog (page) |
|-----------------------------------------------------|---------------------------|
| Modules for sensors and actuators                   |                           |
| – DIN-rail mountable                                | 4                         |
| Modules in DIN-rail mountable enclosure             |                           |
| – Manual control module                             | 4                         |
| – Radio receiver                                    | 4                         |
| – Switching relays                                  | 4                         |
| – for building custom circuits                      | 4                         |
| Monitoring modules,                                 |                           |
| current flow monitoring                             | 4                         |
| Mounting accessories                                | 1                         |
| Mounting carrier,                                   |                           |
| – for isolated mounting on DIN 35 rail              | 1                         |
| – <i>MULTI CONNECTION SYSTEM</i>                    | 2                         |
| Mounting carriers and mounting feet                 |                           |
| for DIN-rail mounting PCBs                          | 4                         |
| Mounting carriers for push-wire connectors          |                           |
| 243 Series, 273 Series                              | 1                         |
| Mounting plates,                                    |                           |
| for WINSTA® distribution connectors                 |                           |
| – MINI                                              | 5 (12, 18)                |
| – MIDI                                              | 5 (34, 36, 66, 68, 70)    |
| – IDC                                               | 5 (104)                   |
| Multi-port device taps for DeviceNet                | 3                         |
| <i>MULTI CONNECTION SYSTEM</i>                      |                           |
| – MICRO 100% protected against mismatching          |                           |
| Pin spacing 2.5 mm                                  | 2                         |
| – MIDI 100% protected against mismatching           |                           |
| Pin spacing 5 mm PressIn technique                  | 2                         |
| – MIDI standard                                     |                           |
| Pin spacings: 5 mm, 5 mm reflow soldering,          |                           |
| 5.08 mm, 7.5 mm, 7.62 mm                            | 2                         |
| – MINI 100% protected against mismatching           |                           |
| Pin spacings: 3.5 mm,                               |                           |
| 3.5 mm PressIn technique,                           |                           |
| 3.5 mm reflow soldering, 3.81 mm,                   |                           |
| 3.81 mm PressIn technique                           | 2                         |
| Multifunction timing relay, pluggable               | 4                         |
| Multilevel installation terminal blocks, topJob®    | 1                         |
| Multilevel PCB terminal strips                      |                           |
| Double deck, triple deck, quadruple deck            |                           |
| terminal strips                                     | 2                         |
| Multilevel rail-mounted terminal blocks             |                           |
| Double deck, triple deck, quadruple deck            |                           |
| terminal blocks                                     | 1                         |
| Multilevel terminal blocks, topJob® terminal blocks |                           |
| see "Multilevel installation terminal blocks"       |                           |
| Multirange timing relay, pluggable                  | 4                         |

## N

|                                                 |   |
|-------------------------------------------------|---|
| Neon indicator modules                          | 1 |
| N-conductor disconnect terminal blocks, topJob® | 1 |

## O

|                                | Catalog<br>Catalog (page) |
|--------------------------------|---------------------------|
| OPC Server for MODBUS-/TCP     | 3                         |
| Operating stickers             | 1, 2                      |
| Operating tool                 | 1, 2, 3, 4, 5 (124)       |
| Optocouplers                   |                           |
| – Rail-mounted terminal blocks | 4                         |
| – Pluggable modules            | 4                         |
| Order forms on request         |                           |

|                                                    | Catalog<br>Catalog (page) |
|----------------------------------------------------|---------------------------|
| <b>P</b>                                           |                           |
| Parameterization files                             |                           |
| see "Configuration files"                          |                           |
| Parameterizing software                            | 3, 4                      |
| Patching systems                                   |                           |
| – Common potential matrix patchboards,             |                           |
| terminal blocks for matrix patching                |                           |
| (3-conductor double potential through              |                           |
| terminal blocks)                                   |                           |
| – Terminal blocks for matrix patching and          |                           |
| same potential terminal blocks                     |                           |
| (4-level terminal blocks, 8-level terminal blocks) |                           |
| – Matrix patchboards with CAGE CLAMP®              |                           |
| connection                                         | 1                         |
| PCB feedthrough connectors                         |                           |
| see <i>MULTI CONNECTION SYSTEM</i>                 | 2                         |
| PCB female connectors                              | 2                         |
| PCB terminal blocks and terminal strips, with      |                           |
| CAGE CLAMP® connection,                            |                           |
| PressIn technique,                                 |                           |
| reflow soldering,                                  |                           |
| with screw clamp connection,                       |                           |
| with push-wire connection                          | 2                         |
| Pin modules for rail-mounted terminal blocks       |                           |
| for Wire-Wrap or Termin-Point connections          | 1                         |
| Pluggable connector                                | 3                         |
| Pluggable fuse modules                             |                           |
| – for carrier terminal blocks                      | 1                         |
| – for receptacle terminal blocks                   | 4                         |
| – for double/triple deck terminal blocks           | 1                         |
| Pluggable on carrier terminal blocks               | 4                         |
| Plugs for elevator shaft technology                | 2                         |
| PressIn technique                                  |                           |
| PCB terminal strips                                | 2                         |
| <i>MULTI CONNECTION SYSTEM</i>                     |                           |
| 3.5 mm, 3.81 mm, 5 mm                              | 2                         |
| Pre-assembled cable                                | 3, 4                      |
| Primary switch mode power supply units             | 3, 4                      |
| PROFIBUS® fieldbus components                      | 3                         |
| PROFINET I/O fieldbus components                   | 3                         |
| PROFIsafe, safety modules                          | 3                         |

|                                                 | Catalog<br>Catalog (page) |
|-------------------------------------------------|---------------------------|
| Programmable fieldbus controllers               | 3                         |
| Programming interface, wireless                 | 3                         |
| ProServe                                        |                           |
| WAGO services                                   | 1, 2, 3, 4                |
| Power supplies                                  |                           |
| – Constant voltage sources                      | 3, 4                      |
| – Power supply units, DIN-rail mountable        | 3, 4                      |
| – Power supply units, in shielded-metal housing | 3, 4                      |
| PT 100 analog input module                      | 3                         |
| Pulse width output module                       | 3                         |
| Push buttons                                    | 2                         |
| Push-in type wire jumpers                       |                           |
| for rail-mounted terminal blocks                | 1                         |
| Push-wire connection                            | 1, 2                      |
| Push-wire connectors                            |                           |
| for KNX applications                            | 2                         |
| Push-wire connectors for junction boxes         | 1                         |
| Push-wire connectors for junction boxes, MICRO  | 1                         |

|                                             | Catalog<br>Catalog (page) |
|---------------------------------------------|---------------------------|
| <b>Q</b>                                    |                           |
| Quadruple deck terminal strips              |                           |
| for PCBs                                    | 2                         |
| Quadruple deck rail-mounted terminal blocks |                           |
| (for fast electric motor wiring)            | 1                         |

|                                                      | Catalog<br>Catalog (page) |
|------------------------------------------------------|---------------------------|
| <b>R</b>                                             |                           |
| Radio adapter                                        | 3                         |
| Radio receiver in DIN-rail mountable enclosure       | 4                         |
| Radio receiver in the WINSTA box                     | 4, 5 (78)                 |
| Radio receiver module                                | 3                         |
| Railway applications                                 | 4                         |
| Rail-mounted modules                                 |                           |
| for building custom circuits                         | 4                         |
| Rail-mounted spacer blocks                           | 1, 2                      |
| Rail-mounted terminal blocks for fast electric motor |                           |
| wiring (quadruple deck)                              | 1                         |
| Rail-mounted terminal blocks                         |                           |
| with CAGE CLAMP® connection,                         |                           |
| CAGE CLAMP® COMPACT connection,                      |                           |
| CAGE CLAMP®S connection,                             |                           |
| FIT CLAMP (IDC) connection                           | 1                         |
| – with coupler function                              | 4                         |
| – with overvoltage protection                        | 4                         |
| – for building custom circuits                       | 4                         |

|                                                                        | Catalog<br>Catalog (page) |                                              | Catalog<br>Catalog (page)        |                                                 | Catalog<br>Catalog (page)                      |                                  |
|------------------------------------------------------------------------|---------------------------|----------------------------------------------|----------------------------------|-------------------------------------------------|------------------------------------------------|----------------------------------|
| Reflow soldering                                                       |                           | Signal splitter                              | 4                                | <b>T</b>                                        | T marker tag                                   | 1                                |
| PCB connectors                                                         |                           | Snap-in connectors, WINSTA®                  |                                  |                                                 | T-distribution connectors                      |                                  |
| MULTI CONNECTION SYSTEM:                                               |                           | – MINI                                       | 5 (12, 18)                       |                                                 | – WINSTA® MINI                                 | 5 (13, 19)                       |
| 3.5 mm, 5 mm                                                           | 2                         | – MIDI                                       | 5 (28, 48, 62)                   |                                                 | – WINSTA® MIDI                                 | 5 (34, 52, 67)                   |
| Relay modules                                                          |                           | Software                                     |                                  |                                                 | – WINSTA® KNX                                  | 5 (98)                           |
| – in DIN-rail mountable enclosure                                      | 4                         | – “WAGO SCRIPT”                              | 1, 2                             |                                                 | Tap-off modules                                |                                  |
| – Terminal blocks                                                      | 4                         | – “WAGO frame”                               | 3, 4                             |                                                 | WINSTA® IDC                                    | 5 (105, 109, 113, 116, 118, 120) |
| – with miniature switching relay                                       | 4                         | Software for building installation           |                                  |                                                 | Technical information,                         |                                  |
| – DIN-rail mountable                                                   | 4                         | WAGO-I/O-SYSTEM 759                          | 3                                |                                                 | – general                                      | 1, 2, 3, 4, 5 (144)              |
| – pluggable                                                            | 4                         | Software tool                                | 3                                |                                                 | – hazardous areas                              | 1, 3, 4                          |
| Relay output modules                                                   | 3                         | Spacers for sensor                           |                                  |                                                 | Technical support                              | 3, 4                             |
| Relay sockets                                                          |                           | and actuator terminal blocks                 | 1                                |                                                 | Telecontroller                                 | 3                                |
| – DIN-rail mountable                                                   | 4                         | Specialty I/O modules                        | 3                                |                                                 | Temperature range, extended                    | 4                                |
| – with miniature switching relay                                       | 4                         | Specifications                               |                                  |                                                 | Temperature transducers,                       |                                  |
| Repeater power supply                                                  | 4                         | – IEC/EN                                     | 1, 2, 3, 4                       |                                                 | pluggable modules                              | 4                                |
| Resistance sensors                                                     | 3                         | – UL-Underwriters Laboratories USA           | 1, 2                             |                                                 | Terminal block marking                         | 1, 2                             |
| Resistive temperature device (RTD) input module                        | 3                         | – Tests and test procedures per UL standards | 1, 2                             |                                                 | Terminal blocks for pluggable modules, f.-e.   | 4                                |
| Resistor bridges (strain gauge)                                        | 3                         | SSI transmitter interface                    | 3                                |                                                 | Terminal blocks with surge suppression devices | 4                                |
| Resistor gate modules                                                  |                           | Staggered jumpers                            |                                  |                                                 | Terminal blocks                                |                                  |
| – DIN-rail mountable                                                   | 4                         | for rail-mounted terminal blocks             | 1                                |                                                 | (terminal blocks for pluggable modules)        | 4                                |
| RJ-45 connectors                                                       | 3                         | Stepper module                               | 3                                |                                                 | Terminal strips and modular                    |                                  |
| RS-232 serial interface                                                | 3                         | Step-down jumpers for                        |                                  |                                                 | terminal blocks with fixing flanges            |                                  |
| RS-485 serial interface                                                | 3                         | through terminal blocks, f.-e., s.-e.        | 1                                | or snap-in mounting feet, f.-e. and s.-e.       | 1                                              |                                  |
| RTC module                                                             | 3                         | Strain relief housings                       |                                  | Terminal strips                                 |                                                |                                  |
|                                                                        |                           | for MULTI CONNECTION SYSTEM                  |                                  | for electrical devices                          | 1                                              |                                  |
|                                                                        |                           | MIDI and MINI                                | 2                                | Terminal strips for PCBs                        |                                                |                                  |
|                                                                        |                           | for WINSTA®                                  |                                  | with locking slide,                             |                                                |                                  |
|                                                                        |                           | – MINI                                       | 5 (11, 17)                       | double deck version,                            |                                                |                                  |
|                                                                        |                           | – MIDI                                       | 5 (26, 46, 60, 80)               | triple deck version,                            |                                                |                                  |
|                                                                        |                           | Strain relief plates                         |                                  | quadruple deck version,                         |                                                |                                  |
|                                                                        |                           | for female plugs and male connectors         |                                  | f.-e. and s.-e.,                                |                                                |                                  |
|                                                                        |                           | with CAGE CLAMP® connection                  | 1                                | PressIn technique,                              |                                                |                                  |
|                                                                        |                           | for MULTI CONNECTION SYSTEM                  |                                  | Reflow soldering,                               |                                                |                                  |
|                                                                        |                           | MICRO, MIDI, MINI                            | 2                                | high current version,                           |                                                |                                  |
|                                                                        |                           | Stripping knife for flat cables              | 5 (126)                          | with finger operated levers,                    |                                                |                                  |
|                                                                        |                           | Stripping tools                              | 1, 2, 3, 4, 5 (125)              | 1-conductor,                                    |                                                |                                  |
|                                                                        |                           | Subsidiaries and representations             |                                  | 2-conductor                                     | 2                                              |                                  |
|                                                                        |                           | WAGO worldwide                               | 1, 2, 3, 4, 5 (168)              | Test plug adapters for                          |                                                |                                  |
|                                                                        |                           | Surge suppression modules                    |                                  | – 255, 256, 257 Series                          |                                                |                                  |
|                                                                        |                           | – as rail-mounted terminal blocks            | 4                                | PCB Terminal Blocks                             | 2                                              |                                  |
|                                                                        |                           | – Terminal blocks                            | 4                                | – Miniature rail-mounted terminal blocks,       |                                                |                                  |
|                                                                        |                           | – pluggable                                  | 4                                | rail-mounted terminal blocks                    | 1                                              |                                  |
|                                                                        |                           | Supply terminal blocks,                      |                                  | Test plugs for                                  |                                                |                                  |
|                                                                        |                           | 1-conductor ground (earth) terminal block,   |                                  | MULTI CONNECTION SYSTEM MIDI                    | 2                                              |                                  |
|                                                                        |                           | N-disconnect terminal blocks                 | 1                                | Testboy                                         | 1, 2                                           |                                  |
|                                                                        |                           | Supply module                                | 3                                | Tests and testing procedures                    |                                                |                                  |
|                                                                        |                           | Supply modules,                              |                                  | Electrical tests, environmental tests,          |                                                |                                  |
|                                                                        |                           | WINSTA® IDC                                  | 5 (104, 108, 112, 116, 118, 120) | mechanical tests, material tests                | 1                                              |                                  |
|                                                                        |                           | Switching modules, pluggable changeover      | 4                                | Thermocouple                                    | 3                                              |                                  |
|                                                                        |                           | Switching relay modules                      |                                  | Through terminal blocks, f.-e.                  |                                                |                                  |
|                                                                        |                           | – Rail-mounted terminal blocks               | 4                                | – angled type                                   |                                                |                                  |
|                                                                        |                           | – in DIN-rail mountable enclosure            | 4                                | – for transformer circuits                      |                                                |                                  |
|                                                                        |                           | – DIN-rail mountable                         | 4                                | – suitable for fuse terminal blocks             |                                                |                                  |
|                                                                        |                           | – pluggable                                  | 4                                | – topJob® (rail-mounted) terminal blocks        |                                                |                                  |
|                                                                        |                           | System I/O modules                           | 3                                | – horizontal type                               |                                                |                                  |
|                                                                        |                           | SO interface                                 | 4                                | – 5 mm/0.197 in wide; 4 mm <sup>2</sup> /AWG 10 |                                                |                                  |
|                                                                        |                           |                                              |                                  | – double/triple deck terminal blocks            |                                                |                                  |
|                                                                        |                           |                                              |                                  | – for pluggable modules                         |                                                |                                  |
| Safety modules                                                         | 3                         |                                              |                                  |                                                 |                                                |                                  |
| Safety relays, DIN-rail mountable                                      | 4                         |                                              |                                  |                                                 |                                                |                                  |
| Sales regions, worldwide                                               | 1, 2, 3, 4, 5 (168)       |                                              |                                  |                                                 |                                                |                                  |
| Same potential terminal blocks and terminal blocks for matrix patching |                           |                                              |                                  |                                                 |                                                |                                  |
| 4-level terminal blocks,                                               |                           |                                              |                                  |                                                 |                                                |                                  |
| 8-level terminal blocks                                                | 1                         |                                              |                                  |                                                 |                                                |                                  |
| Screwdrivers                                                           | 1, 2, 3, 4, 5 (124)       |                                              |                                  |                                                 |                                                |                                  |
| Secondary connection modules                                           | 1                         |                                              |                                  |                                                 |                                                |                                  |
| Seminars                                                               | 3, 4                      |                                              |                                  |                                                 |                                                |                                  |
| Sensor cable                                                           | 3, 4                      |                                              |                                  |                                                 |                                                |                                  |
| Sensor terminal blocks and sensor LED terminal blocks                  |                           |                                              |                                  |                                                 |                                                |                                  |
| Rail-mounted terminal blocks                                           | 1                         |                                              |                                  |                                                 |                                                |                                  |
| Sensor/Actuator boxes                                                  | 3, 4                      |                                              |                                  |                                                 |                                                |                                  |
| Separation module                                                      | 3                         |                                              |                                  |                                                 |                                                |                                  |
| Serial interface                                                       | 3                         |                                              |                                  |                                                 |                                                |                                  |
| Service and programming software                                       |                           |                                              |                                  |                                                 |                                                |                                  |
| WAGO-I/O-SYSTEM 759                                                    | 3                         |                                              |                                  |                                                 |                                                |                                  |
| “Service” connectors                                                   | 1                         |                                              |                                  |                                                 |                                                |                                  |
| Services “ProServe”                                                    | 1, 2, 3, 4                |                                              |                                  |                                                 |                                                |                                  |
| Shield (screen) connecting system                                      |                           |                                              |                                  |                                                 |                                                |                                  |
| Shield (screen) clamping saddle                                        | 1, 3, 4                   |                                              |                                  |                                                 |                                                |                                  |
| Shield (screen) terminal blocks,                                       |                           |                                              |                                  |                                                 |                                                |                                  |
| angled type, f.-e.,                                                    |                           |                                              |                                  |                                                 |                                                |                                  |
| topJob® (rail-mounted) terminal blocks                                 |                           |                                              |                                  |                                                 |                                                |                                  |
| horizontal type,                                                       |                           |                                              |                                  |                                                 |                                                |                                  |
| triple deck terminal blocks                                            | 1                         |                                              |                                  |                                                 |                                                |                                  |



|                                                                                   | Catalog<br>Catalog (page) |
|-----------------------------------------------------------------------------------|---------------------------|
| Through terminal blocks, f.-e.                                                    |                           |
| – with diodes or LED                                                              |                           |
| – TOPJOB®S (rail-mounted) terminal blocks                                         |                           |
| – distribution terminal blocks                                                    | 1                         |
| Through terminal blocks, miniature                                                |                           |
| for DIN 15 and DIN 35 rails                                                       | 1                         |
| Through terminal blocks with                                                      |                           |
| IDC connection (FIT CLAMP)                                                        | 1                         |
| Through terminal blocks, s.-e., high current                                      | 1                         |
| Timer relay modules                                                               |                           |
| – pluggable                                                                       | 4                         |
| Tools                                                                             | 1, 2, 3, 4, 5 (122 - 127) |
| topJob® terminal blocks                                                           |                           |
| – Through terminal blocks                                                         |                           |
| – Multilevel installation terminal blocks                                         |                           |
| – N-conductor disconnect terminal blocks                                          |                           |
| – Shield (screen) terminal blocks                                                 |                           |
| – Ground (earth) terminal blocks                                                  |                           |
| – Distribution terminal blocks<br>(see “Multilevel installation terminal blocks”) |                           |
| – Tools                                                                           | 1                         |
| TOPJOB®S                                                                          |                           |
| – Terminal blocks with CAGE CLAMP®S<br>connection                                 |                           |
| – Through terminal blocks                                                         |                           |
| – Ground (earth) terminal blocks                                                  |                           |
| – Modular test plugs                                                              | 1                         |
| Training                                                                          | 3, 4                      |
| Transducers for thermocouples and PT 100                                          | 4                         |
| Transformer terminal blocks                                                       | 1                         |
| see “Disconnect terminal blocks for test and<br>measurement”                      |                           |
| Transient suppression devices                                                     |                           |
| – Terminal blocks                                                                 | 4                         |
| – Pluggable modules                                                               | 4                         |
| Transverse switching terminal blocks                                              | 1                         |
| Triple deck installation terminal blocks                                          |                           |
| see topJob®                                                                       |                           |
| Triple deck terminal blocks, f.-e.                                                |                           |
| Diode terminal blocks, LED terminal blocks                                        | 1                         |
| Triple deck terminal strips                                                       |                           |
| for PCBs                                                                          | 2                         |
| TTY interface                                                                     | 3                         |
| Twin ferrules                                                                     | 4                         |
| 10 or 20-pole connectors;                                                         |                           |
| e.g., for racks                                                                   | 1                         |
| 3-conductor double potential terminal blocks                                      | 1                         |
| 3-conductor terminal blocks                                                       |                           |
| see “Through terminal blocks,<br>ground (earth) conductor terminal blocks, etc.”  |                           |
| 2-conductor female connectors,<br>MULTI CONNECTION SYSTEM                         |                           |
| 100% protected against mismatching,<br>standard version                           | 2                         |
| 2-conductor terminal blocks                                                       |                           |
| see “Through terminal blocks,<br>ground (earth) conductor terminal blocks, etc.”  |                           |

## U

|                               | Catalog<br>Catalog (page) |
|-------------------------------|---------------------------|
| UL specifications             |                           |
| Underwriters Laboratories USA | 1, 2                      |
| Up/down counters              | 3                         |
| User manual on                |                           |
| fieldbus components           | 3                         |

## V

|                                                 |            |
|-------------------------------------------------|------------|
| Variable resistor terminal blocks, f.-e.        | 1          |
| Vibration velocity/bearing condition monitoring | 3          |
| Voltage sources, constant                       | 4          |
| Voltage tester                                  | 1, 2, 3, 4 |

## W

|                                               |                     |
|-----------------------------------------------|---------------------|
| WAGO                                          |                     |
| – Worldwide                                   | 1, 2, 3, 4, 5 (168) |
| WAGO CAGE CLAMP® connection                   | 1, 2, 3, 4          |
| WAGO CAGE CLAMP®S connection                  | 1, 2                |
| WAGO I/O-CHECK                                | 3                   |
| WAGO-I/O-IPC                                  | 3                   |
| WAGO-I/O-PRO                                  | 3                   |
| WAGO-I/O-SYSTEM, fieldbus components          | 3                   |
| WAGO OPC                                      | 3                   |
| WAGO “ProServe”                               | 1, 3, 4             |
| WAGO SCRIPT                                   | 1, 2                |
| WAGO services                                 | 1, 2, 3, 4          |
| WAGO Speedway                                 | 3                   |
| WCB Combi marking system                      | 1                   |
| WFB Continuous marking strips                 | 1                   |
| WINSTA®                                       | 2, 4, 5             |
| Wire cutter                                   | 1, 2, 3, 4, 5 (125) |
| Wire jumpers for rail-mounted terminal blocks |                     |
| – push-in type                                | 1                   |
| Wire marking                                  | 3, 4                |
| Wireless technology                           | 3, 4                |
| Wiring aid, WINSTA®                           | 5 (127)             |
| Wire-tap branch connectors;                   |                     |
| e.g., in elevator shaft technology            | 2                   |
| WMB Inline                                    | 4                   |
| WMB Multi marking system                      | 1, 2, 3, 4          |
| WSB Quick marking system                      | 1, 2, 4             |

## X

|                                                   | Catalog<br>Catalog (page) |
|---------------------------------------------------|---------------------------|
| X-COM®-SYSTEM                                     |                           |
| – Receptacle terminal blocks,                     |                           |
| – Female plugs,                                   |                           |
| – Male connectors with CAGE CLAMP®<br>connection, |                           |
| – Headers with solder pins                        | 1                         |

# WAGO Worldwide

## - Companies and Representations -

### Argentina

Bruno Schillig S.A.  
Arenales 4030, B1604CFD  
Florida, PBA  
Phone +54 11 4730 1100  
Fax +54 11 4761 2744  
robertor@schillig.com.ar

### Australia

NHP ELECTRICAL ENGINEERING  
PRODUCTS PTY LTD  
43-67 River Street  
Richmond, Victoria, 3121  
P.O. Box 199  
Phone +61 3 9429 2999  
Fax +61 3 9429 1075  
export@wago.com

### Austria

WAGO Kontakttechnik Ges.m.b.H.  
Laxenburger Straße 244  
1230 Wien  
Phone +43 1 6150780  
Fax +43 1 6150775  
info.at@wago.com

### Belgium

WAGO Kontakttechnik  
Excelsiorlaan 11  
1930 Zaventem  
Phone +32 2 7179090  
Fax +32 2 7179099  
info-be@wago.com

### Bosnia and Herzegovina

WAGO Kontakttechnik GmbH & Co. KG  
Representative Office Sofia Bulgaria  
Twardischiki Prohod 21, ap.5  
1404 Sofia  
Phone +359 2 489 46 10  
Fax +359 2 859 21 31  
info-BG@wago.com

### SC\_Technik doo

Kadić Mahala 47  
Bosnia-Herzegovina  
Phone +387 35 821815  
Fax +387 35 821816  
sc\_technik@yahoo.de

### Brasil

WAGO Eletroeletrônicos Ltda  
Rua Américo Simões 1470  
São Roque da Chave  
Itupeva SP Brasil 13295-000  
Phone +55 11 4591 0199  
Fax +55 11 4591 0190  
info.br@wago.com

### Bulgaria

WAGO Kontakttechnik GmbH & Co. KG  
Representative Office Sofia Bulgaria  
Twardischiki Prohod 21, ap.5  
1404 Sofia  
Phone +359 2 489 46 10  
Fax +359 2 859 21 31  
info-BG@wago.com

### RIM Project Ltd.

Probudna - 12 A str., et. 7  
Sofia  
Bulgaria  
Phone +359 2 9310666  
Fax +359 2 9313839  
office@rim-bg.com

### Canada

please contact WAGO USA

### Chile

Desimat Chile  
Av Puerto Vespucio 9670  
Pudahuel Santiago  
Phone +56 2 7470152  
Fax +56 2 7470153  
ventaschile@desimat.cl

### China

WAGO ELECTRONIC (TIANJIN) Co. LTD  
No.5, Quan Hui Road  
Wuqing Development Area  
Tianjin 301700  
Phone +86 22 59617688  
Fax +86 22 59617668  
info-cn@wago.com

### Columbia

T.H.L. Ltda.  
Cra. 49 B # 91-33  
Bogotá  
Phone +57 1 621 85 50  
Fax +57 1 621 60 28  
ventas-thl@thl-tda.com

### Croatia

M.B.A. d.o.o. za trgovinu i zastupanje  
Frana Supila 5  
51211 Matulji HR  
Phone +00385 51 275-736  
Fax +00385 51 275-066  
mba@ri.htnet.hr

### Czech Republic

WAGO Elektro spol. sr. o.  
Rozvodova 1116/36  
143 00 Praha 4 - Modřany  
Phone +420 261 090 143  
Fax +420 261 090 144  
info.cz@wago.com

### Denmark

WAGO Danmark  
Filial of WAGO Kontakttechnik GmbH & Co. KG  
Lejrvej 29  
3500 Værløse  
Phone +45 44 357777  
Fax +45 44 357787  
salg.dk@wago.com

### Ecuador

INSETEC CIA. LTDA.  
El Zurriago 177 y El Vengador  
P.O. Box 17-16-016  
Quito  
Phone +593 2 2 26 91 48  
Fax +593 2 2 46 18 33  
g.castro@insetec.com.ec

### Egypt

IBN Engineering Instrumentation & Control  
71 a El Shaheed Ahmed Hamdi St.  
King Faisal, Giza  
Phone +20 2 7214350  
Fax +20 2 7221709  
sales@ibnengineering.com

### Estonia

Eltarko OÜ  
Laki 14 - 502  
10621 Tallinn  
Phone +372 651 7731  
Fax +372 651 7786  
andres@eltarko.ee

### Finland

WAGO Kontakttechnik GmbH & Co. KG  
Filial i Finland  
Vellamonkatu 30 B  
00550 Helsinki  
Phone +358 9 7744 060  
Fax +358 9 7744 0660  
export@wago.com

### France

WAGO CONTACT S.A.  
Paris Nord 2  
83 Rue des Chardonnerets  
B.P. 55065 - Tremblay en France  
95947 - ROISSY CDG CEDEX  
Phone +33 1 48172590  
Fax +33 1 48632520  
info-fr@wago.com

### Germany

WAGO Kontakttechnik GmbH & Co. KG  
Postfach 28 80 32385 Minden  
Hansastraße 27  
32423 Minden  
Phone +49 571 887-0  
Fax +49 571 887-169  
info@wago.com

### Great Britain

WAGO Limited  
Triton Park, Swift Valley Industrial Estate  
RUGBY  
Warwickshire, CV21 1SG  
Phone +44 1788 568008  
Fax +44 1788 568050  
uksales@wago.com

### Greece

PANAGIOTIS SP. DIMOULAS - BIOMAT  
Kriti Str. 26  
10439 Athen  
Phone +30 210 883 3337  
Fax +30 210 883 4436  
export@wago.com

### Hong Kong

National Concord Eng., Ltd.  
Unit A-B, 5/F.  
Southeast Industrial Building  
611-619 Castle Peak Road  
Tsuen Wan, N.T.  
Phone +852 24292611  
Fax +852 24292164  
sales@nce.com.hk

### Hungary

WAGO Hungária KFT  
Ipari Park, Győr u. 2  
2040 Budapest  
Phone +36 23 502-170  
Fax +36 23 502-166  
info@wago.hu

### Iceland

S. Gudjonsson ehf.  
Audbrekku 9-11  
202 Kopavogur  
Phone +354 520-4500  
Fax +354 520-4501  
export@wago.com

### India

WAGO & CONTROLS (INDIA) LTD.  
C-27, Sector-58, Phase-III  
Noida-201 301  
Gautam Budh Nagar (U.P.)  
Phone +91 120 2 580409 10  
Fax +91 120 2 580081  
info@wagoindia.com

### Indonesia

please contact WAGO Singapore

### Iran

Patsa Industry  
No. 2 Bahar St.  
South Shiraz Ave  
P.O. Box.: 15875-1698  
14369 Tehran  
Phone +98 21 8726869  
Fax +98 21 8719666  
export@wago.com

### Ireland

Drives & Controls  
Unit F4, Riverview Business Park  
Nangor Road  
Dublin 12  
Phone +353 1 4604474  
Fax +353 1 4604507  
wago@drivesandcontrols.ie

### Israel

Comtel Israel Electronic Solutions Ltd.  
Bet Hapaamon  
20 Hataas Street  
P.O.Box 66  
44425 Kefar-Saba  
Phone +972 9 76 77 240  
Fax +972 9 76 77 243  
sales@comtel.co.il

### Italy

WAGO ELETTRONICA SRL  
Via Vittoria, 5/b  
40068 San Lazzaro di Savena (BO)  
Phone +39 051 6272170  
Fax +39 051 6272174  
info-ita@wago.com

### Japan

WAGO Co. of JAPAN Ltd.  
Nittetsu ND-Tower Building 4F  
Kameido 1-5-7  
Koto-Ku  
Tokyo 136-0071  
Phone +81 3 5627 2050  
Fax +81 3 5627 2055  
info-jp@wago.com

### Korea

Mahani Electric Co. Ltd.  
792-7 Yeoksam-Dong  
Kangnam-Gu, 135-080  
Seoul, Korea  
Phone +82 2 2194 3300  
Fax +82 2 2194 3397  
export@wago.com

### Kosovo

please contact WAGO Bulgaria

### Kuwait

Kuwait Controls Company  
Al Sour Street, Above Lufthansa Airline  
Safat Kuwait 13062  
Phone +965 822 522  
Fax +965 243 3698

### Latvia

INSTABALT LATVIA SIA  
Vestienas iela 6  
Rīga, LV-1035  
Phone +371 790 1188  
Fax +371 790 1180  
info@instabalt.lv

**Lebanon**

G.T.C.  
Antoine Project - Block G  
P.O. BOX 70-1096 Antelias  
Lebanon  
Phone +961 4 521 029  
Fax +961 4 521 029  
rgemayel@inco.com.lb

**Lithuania**

INSTABALT LIT UAB  
Savanorių 187  
Vilnius, 2053  
Phone +370 52 322 295  
Fax +370 52 322 247  
info@instabalt.lt

**Luxembourg**

please contact WAGO Belgium

**Macedonia**

please contact WAGO Bulgaria

**Malaysia**

WAGO Representative Office Malaysia  
No 806, Block A4, Leisure Commerce Square,  
No 9, Jalan PJS 8/9, 46150 Petaling Jaya,  
Selangor Darul Ehsan, Malaysia  
Phone +60 3 7877 1776  
Fax +60 3 7877 2776  
kian.guan.tan@wago.com

HPH Materials (M) Sdn Bhd  
No. 4, Jalan Nilam 1/6  
Suban Hi-Tech Industrial Park  
40000 Shah Alam  
Selangor, D.E. Malaysia  
Phone +60 3 5638 2213  
Fax +60 3 5638 8213  
info@hphmaterials.com

Setia Raya Teknik Sdn. Bhd.  
40 & 42 Jalan SS15/4  
Subang Jaya, 47500 P.J.  
Selangor D.E. Malaysia  
Phone +60 3 5633 5511  
Fax +60 3 5633 3411  
sales@setiaraya.com.my

**Mexico**

WAGO CORPORATION  
N120 W19129 Freistadt Road  
Germantown, WI 53022  
Phone +52 55 26 44 69 16  
Fax +52 55 26 44 69 15  
Toll-Free: 001-800-309-5975  
info.mx@wago.com

**Netherlands**

WAGO Nederland  
van Leeuwenhoekstraat 20-1  
3846 CB Harderwijk  
Phone +31 341 439039  
Fax +31 341 439030  
info-nl@wago.com

**New Zealand**

NHP NZ  
7 Lockhart Place  
Mt Wellington  
New Zealand  
Phone +64 9 2761967  
Fax +64 9 2761992  
export@wago.com

**Norway**

WAGO Norge NUF  
Jerikoveien 20  
1067 Oslo  
Phone +47 22 30 94 50  
Fax +47 22 30 94 51  
info.no@wago.com

**Peru**

Desimat Peru  
Av. E. Salazar Barreto No. 280  
Surco - Lima 33  
Phone +51 1 2731892  
Fax +51 1 2720054  
export@wago.com

**Philippines**

please contact WAGO Singapore

**Poland**

WAGO ELWAG sp. z o. o.  
ul. Piękna 58 a  
50-506 Wrocław  
Phone +48 71 3604670 78  
Fax +48 71 3604699  
wago.elwag@wago.com

**Portugal**

MORGADO & CA. LDA - SEDE  
Estrada Exterior da  
Circunvalação 3558/3560  
Apartado 1057  
4435 Rio Tinto  
Phone +351 22 9770600  
Fax +351 22 9770699  
export@wago.com

**Romania**

WAGO Kontakttechnik GmbH & Co. KG  
WAGO Representative Office Bucharest  
Str. Nicolae G. Caramfil Nr. 26, Bl. 1D, Et. 3, Ap. 7, Sect. 1  
Bucuresti  
Romania  
Phone +40(0)31 421 85 68  
Fax +40(0)21 232 02 31  
titus.reus@wago.com

VDR & Servicii srl  
Str. Valeriu Braniste, nr. 60, ap.1, sector 3  
Romania  
Phone +40 21 3225074/76  
Fax +40 21 3225075  
office@componente-automatizari.ro

SC Civitronic SRL  
Str. Prof. Gh. Longinescu Nr. 7  
Timisoara, Romania  
Phone +40 356 710 600  
Fax +40 356 814 343  
sales@civitronic.ro

**Russia**

OOO WAGO Kontakt Rus  
Gostinichny proezd 4B  
127106 Moscow  
Russia  
Phone +7 495 9874790  
Fax +7 495 9874791  
info.ru@wago.com

**Saudi Arabia**

Al Quraishi Electrical Services of S. A.  
P.O. Box 7386  
Dammam-31462  
Phone +966 3 85 725 37  
Fax +966 3 85 725 41  
export@wago.com

**Serbia**

WAGO Kontakttechnik GmbH & Co. KG  
Representative Office Sofia Bulgaria  
1404 Sofia  
Phone +359 2 489 46 10  
Fax +359 2 859 21 31  
info-BG@wago.com

AVALON Partners D.O.O.

Str. Nemanjina 4/XII  
11000 Belgrade / Serbia  
Phone +381 11 268 53 11  
Fax +381 11 268 41 78  
Tel/Fax: 65 AVALONP  
office@avalon.co.yu

**Singapore**

WAGO Electronic Pte Ltd  
10 Upper Aljunied Link, # 04-04  
York International, Industrial Building  
Singapore 367904  
Phone +65 62866776  
Fax +65 62842425  
info.sing@wago.com

**Slovakia**

WAGO Elektrik spol.s r. o  
Odborárska 52  
83102 Bratislava  
Phone +421 2 44458301  
Fax +421 2 44458301  
export@wago.com

**South Africa**

Shorrock Automation (Pty) Ltd  
Postnet Suite # 219  
Private Bag X 8, Elardus Park  
0047 PRETORIA  
Phone +27 12 3454449  
Fax +27 12 3455145  
sales@shorrock.co.za

**Spain**

DICOMAT S.L.  
Avda. de la Industria, 36  
Apartado Correos, 1.178  
28108-Alcobendas (Madrid)  
Phone +34 91 6621362  
Fax +34 91 6610089  
info@dicomat.com

**Sweden**

WAGO Sverige  
WAGO Kontakttechnik GmbH  
Tyskland Filial  
Box 639, 17527 Järfälla  
Datavägen 9 A, 17543 Järfälla  
Phone +46 858410680  
Fax +46 858410699  
info.se@wago.com

**Switzerland**

WAGO CONTACT SA  
Rte. de l Industrie 19  
Case Postale 168  
1564 Domdier  
Phone +41/26 676 75 86  
Fax +41/26 676 75 01  
info.switzerland@wago.com

**Syria**

Zahabi Co.  
8/5 Shouhadaa St., P.O. Box 8262  
Aleppo  
Phone +963 21 21 22 235 / 6  
Fax +963 21 21 24 768  
export@wago.com

**Taiwan R.O.C.**

WAGO Taiwan  
8/F., No. 48, Jing-An Road  
Chung-Ho City, 23556  
Taipei Hsien. T a i w a n  
Phone +886 2 2244 2569  
Fax +886 2 2244 2658  
info.taiwan@wago.com

**Thailand**

WAGO Representative Office Thailand  
4th Floor, KS Building  
213/6-8 Rachada-Phisek Road  
Dingdaeng Bangkok 10320  
Phone +66 2 6935611  
Fax +66 2 6935612  
wago@asianet.co.th

US Power Distribution Co., Ltd.  
4th Floor K.S. Building  
213/6-8 Rachada Phisek Road  
Ding Daeng, Bangkok 10400  
Phone +66 2 2763040  
Fax +66 2 2763049  
wago@asianet.co.th

**Turkey**

WAGO Elektronik Sanayi ve Ticaret Ltd. Şti.  
Barbaros Mahallesi Mimar Sinan Caddesi No 169  
34746 Yenisahra - Kadıköy Istanbul  
Turkey  
Phone +90 216 472 1133  
Fax +90 216 472 9910  
info.tr@wago.com

**United Arab Emirates (UAE)**

Binghalib Engineering Ent.  
Trading Division  
Al Khabeshi Area  
P.O. Box 14743  
Dubai  
Phone +971 4 2674555  
Fax +971 4 2674117  
export@wago.com

**USA**

WAGO Corporation  
N120 W19129 Freistadt Road  
Germantown, WI 53022  
Phone +1 262 255 6222  
Fax +1 262 255 3232  
Toll-Free: 1-800 DIN Rail (346-7245)  
info.us@wago.com

**Venezuela**

PETROBORNAS, C.A.  
Av. Principal UD 304-Zona Ind. Los Pinos  
C.C. Los Pinos-Local E  
8015-Puerto Ordaz-Edo. Bolivar  
Phone +58 286 994 3406  
Fax +58 286 994 5249  
info@petrobornas.net

**Vietnam**

please contact WAGO Singapore



## X-ON Electronics

Largest Supplier of Electrical and Electronic Components

*Click to view similar products for [wago](#) manufacturer:*

Other Similar products are found below :

[750-460](#) [231-118/026-000](#) [231-303/026-000](#) [231-620/019-000](#) [257-403](#) [280-438](#) [280-831](#) [284-624](#) [210-111](#) [231-303/037-000](#) [231-446/001-000\\_NR](#) [232-216/026-000](#) [234-510](#) [264-726](#) [280-339](#) [0283-0671](#) [830-800/000-305](#) [750-512](#) [750-455](#) [51251782](#) [286-312](#) [713-1428/107-000](#) [731-138/048-000](#) [750-459](#) [750-517](#) [750-602](#) [793-3505](#) [826-172](#) [859-304](#) [280-335](#) [231-535/001-000](#) [2604-1105](#) [2604-1106](#) [2604-1504](#) [2606-1103/020-000](#) [2624-1103](#) [2626-3103/020-000](#) [821-104](#) [713-1107](#) [852-1411](#) [2106-1307](#) [2116-5307](#) [832-1205](#) [832-3604](#) [2009-110](#) [281-512/281-501](#) [286-336](#) [750-421](#) [750-838](#) [753-559](#)