

Feedthrough terminal block; with lever actuation; 4-pole; for plate thickness 3 mm

Item No.: 828-334



Feedthrough terminal block; with lever actuation; 4-pole; for plate thickness 3 mm

Marking

RoHS ✓
Compliant

Business data

Supplier	WAGO
Item no.	828-334
GTIN / EAN	4045454911355
Content	1
Order amount	15
Customer item number	

Notes

Feedthrough terminal blocks with screwdriver-actuated CAGE CLAMP® on both sides
Easy, tool-free installation
Tool-free opening and closing – fingers open/close levers
Several clamping units can be held open simultaneously – convenient for terminating multi-core cables
600V UL

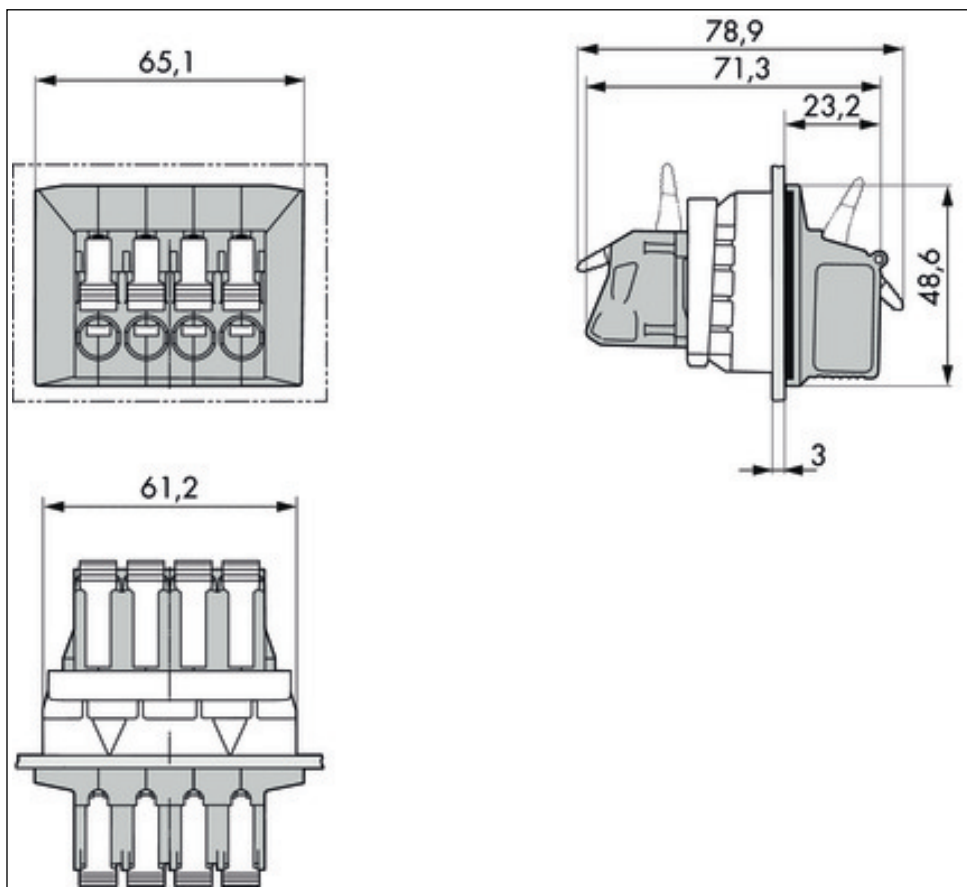
Technical data

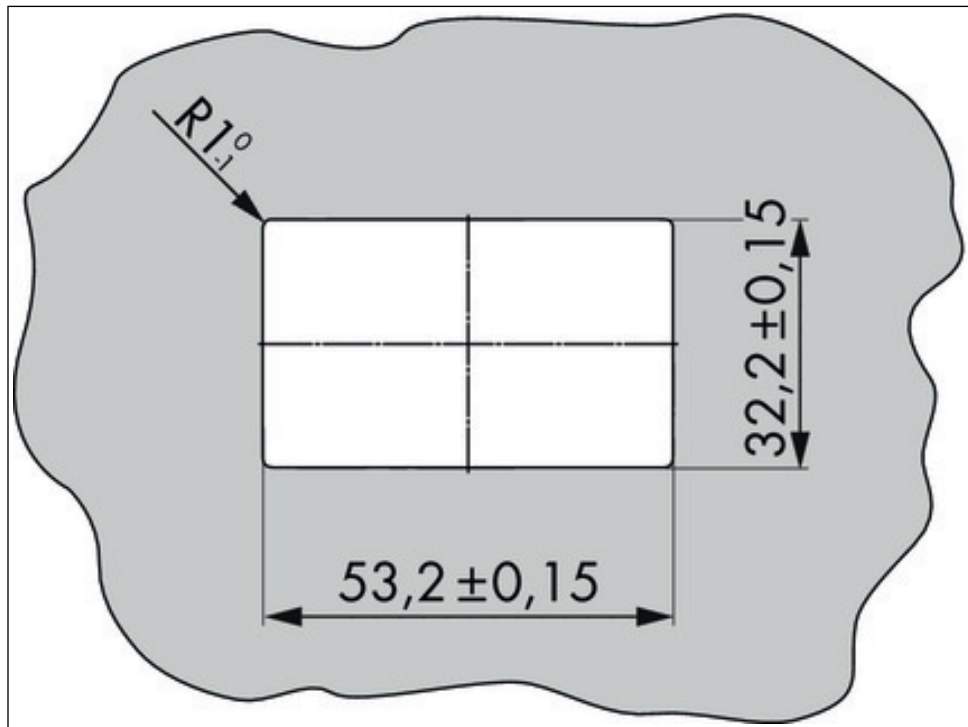
Miscellaneous

No. of poles	4
Pin Spacing	11.5 mm (0.453 in %)
Total number of connection points	8
Total number of potentials	4
Color	gray
Ratings according to 1	IEC/EN 60664-1
Overvoltage category EN 1	III

Technical data	
<i>Pollution degree (1)</i>	2
<i>Rated voltage EN (1) [V]</i>	1000 [V]
<i>Rated surge voltage (1) [kV]</i>	8 [kV]
<i>Nominal current [A]</i>	41 [A]
<i>Overvoltage category EN 2</i>	II
<i>Degree of pollution (2)</i>	2
<i>Rated voltage EN (2) [V]</i>	1000 [V]
<i>Rated surge voltage (2) [kV]</i>	8 [kV]
<i>Nominal current (2) [A]</i>	41 [A]
<i>Overvoltage category EN 3</i>	III
<i>Degree of pollution (3)</i>	3
<i>Rated voltage EN (3) [V]</i>	1000 [V]
<i>Rated surge voltage (3) [kV]</i>	8 [kV]
<i>Nominal current (3) [A]</i>	41 [A]
<i>Number of individual connection objects at the product</i>	1
<i>Connection technology (1)</i>	CAGE CLAMP®
<i>Solid sizes 1</i>	1.5 ... 16 mm ² / 16 ... 6 AWG
<i>Fine-stranded wires 1</i>	1.5 ... 16 mm ² / 16 ... 6 AWG
<i>Fine-stranded wires with insulated ferrule 1</i>	1.5 ... 10 mm ² / ...
<i>Fine-stranded wires with uninsulated ferrule 1</i>	1.5 ... 10 mm ² / ...
<i>Strip length 1</i>	12 ... 13 mm / 0.47 ... 0.51 in
<i>Type of wiring</i>	Front-entry wiring
<i>Material group</i>	I
<i>Insulating material</i>	Polyamide 66 (PA 66)
<i>Flammability rating per UL 94</i>	V0
<i>Limit temperature range</i>	-60 C ... 105 C
<i>Clamping spring material</i>	Chrome-nickel spring steel (CrNi)
<i>Contact material</i>	Electrolytic copper (Ecu)
<i>Contact plating</i>	tin-plated
<i>Weight [g]</i>	121.468 [g]
<i>Width</i>	65.1 mm / 2.563 in
<i>Height</i>	48.5 mm / 1.909 in
<i>Length</i>	79.1 mm / 3.114 in

Images & drawings





Address

WAGO Kontakttechnik GmbH & Co. KG

Hansastr. 27

32423 Minden

Telefon: 0571/887-0

Fax: 0571/887-169

<http://www.wago.com>

© WAGO Kontakttechnik GmbH & Co. KG

Technische Änderungen und Irrtümer vorbehalten.

X-ON Electronics

Largest Supplier of Electrical and Electronic Components

Click to view similar products for [DIN Rail Terminal Blocks](#) category:

Click to view products by [Wago](#) manufacturer:

Other Similar products are found below :

[00110420202](#) [00175550302](#) [8WA1011-1BH23](#) [91.040](#) [9123140000](#) [RBO 5-T-B-HEX](#) [1333564](#) [1431306](#) [HSL-TB64-DIN](#) [90.070](#) [90.202](#)
[912314](#) [260-301_NR](#) [280-560](#) [280-564](#) [281-611/281-542](#) [281-673/281-411](#) [281-994](#) [283-317](#) [283-607](#) [264-724](#) [264-726](#) [280-530](#) [280-555](#)
[280-619](#) [281-610](#) [281-622/281-417](#) [284-317](#) [2907033](#) [35956](#) [USK 10](#) [102510](#) [5520682](#) [EMH 25-ZE30](#) [1SNK706410R0000](#)
[1SNK705210R0000](#) [1SNK705151R0000](#) [1SNK705020R0000](#) [1SNK506066R0000](#) [1SNK506061R0000](#) [1SNK506012R0000](#)
[1SNK505065R0000](#) [1SNK505060R0000](#) [UM 45-SEFE M.NUT BK](#) [1SNK505062R0000](#) [1SNK506013R0000](#) [1SNK506030R0000](#)
[1SNK506062R0000](#) [1SNK506065R0000](#) [1SNK508062R0000](#)