

Printview: 4-conductor chassis-mount terminal strip; for mounting via M3 screw and nut or self-tapping screw 2.9 mm Ø from top; plain; without ground contact; 3-pole - Item No.: 862-503

WAGO® online catalog / eShop

4-conductor chassis-mount terminal strip; for mounting via M3 screw and nut or self-tapping screw 2.9 mm Ø from top; plain; without ground contact; 3-pole

Item No.: 862-503



4-conductor chassis-mount terminal strip; for mounting via M3 screw and nut or self-tapping screw 2.9 mm Ø from top; plain; without ground contact; 3-pole

Marking

RoHS ✓
Compliant

Business data

Supplier	WAGO
Item no.	862-503
GTIN / EAN	4044918509008
Content	1
Order amount	250
Customer item number	

Notes

Technical data

Miscellaneous

No. of poles	3
Total number of connection points	12
Total number of potentials	3
Color	black
Pollution degree (1)	3
Rated voltage EN (1) [V]	500 [V]
Rated surge voltage (1) [kV]	6 [kV]
Nominal current [A]	32 [A]

Printview: 4-conductor chassis-mount terminal strip; for mounting via M3 screw and nut or self-tapping screw 2.9 mm Ø from top; plain; without ground contact; 3-pole - Item No.: 862-503

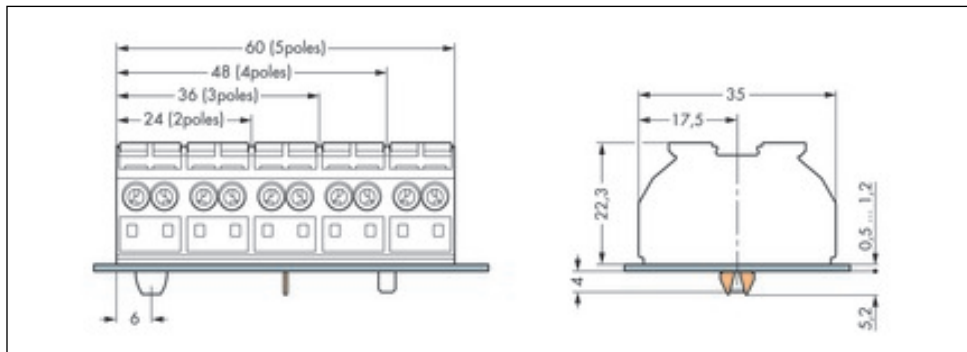
Technical data	
<i>Connection technology (1)</i>	<i>Push-in CAGE CLAMP®</i>
<i>Solid sizes 1</i>	<i>0.5 ... 4 mm² / 20 ... 12 AWG</i>
<i>solid, directly pluggable 1</i>	<i>0.5 ... 4 mm² / 20 ... 12 AWG</i>
<i>stranded, connectable 1</i>	<i>0.5 ... 4 mm² / 20 ... 12 AWG</i>
<i>Fine-stranded wires 1</i>	<i>0.5 ... 4 mm² / 20 ... 12 AWG</i>
<i>Fine-stranded wires with insulated ferrule 1</i>	<i>0.5 ... 4 mm² / 20 ... 12 AWG</i>
<i>min. fine-stranded with insulated ferrule, push-in terminati</i>	<i>0.5 mm² / 20 AWG</i>
<i>Strip length 1</i>	<i>10 ... 11 mm / 0.39 ... 0.43 in</i>
<i>Type of wiring</i>	<i>Side-entry wiring</i>
<i>Fire load [MJ]</i>	<i>0.383 [MJ]</i>
<i>Weight [g]</i>	<i>20.488 [g]</i>
<i>Width</i>	<i>36 mm / 1.417 in</i>
<i>Height from the surface</i>	<i>22.3 mm / 0.878 in</i>
<i>Length</i>	<i>35 mm / 1.378 in</i>
<i>Marking</i>	<i>plain</i>

Printview: 4-conductor chassis-mount terminal strip; for mounting via M3 screw and nut or self-tapping screw 2.9 mm Ø from top; plain; without ground contact; 3-pole - Item No.: 862-503

Images & drawings



Printview: 4-conductor chassis-mount terminal strip; for mounting via M3 screw and nut or self-tapping screw 2.9 mm Ø from top; plain; without ground contact; 3-pole - Item No.: 862-503



Address

WAGO Kontakttechnik GmbH & Co. KG

Hansastr. 27

32423 Minden

Telefon: 0571/887-0

Fax: 0571/887-169

<http://www.wago.com>

© WAGO Kontakttechnik GmbH & Co. KG

Technische Änderungen und Irrtümer vorbehalten.

X-ON Electronics

Largest Supplier of Electrical and Electronic Components

Click to view similar products for [Barrier Terminal Blocks](#) category:

Click to view products by [Wago](#) manufacturer:

Other Similar products are found below :

[CR151D20104](#) [670A-RZ-15-KT20](#) [6C1N03](#) [6PCR-02](#) [6PCR-02-008](#) [6PCR-05-008](#) [6PCR-08-008](#) [6PCR-09-008](#) [6PCR-13-006](#) [6PCR-15-006](#) [6PCR-21-006](#) [6PCV-06-008](#) [6PCV-06-716](#) [6PCV-09-001](#) [6PCV-15-008](#) [6PCV-17-1206](#) [6PCV-20-323](#) [6STR-06-006](#) [6STR-08-006](#) [6STR-12-008](#) [6STR-13-006](#) [6STR-14-008](#) [6STR-16-008](#) [6STR-17-008](#) [6STR-21-008](#) [6STR-25-008](#) [6STR-27-008](#) [6STV-03-008](#) [6STV-04-006](#) [6STV-09-006](#) [6STV-10-006](#) [6WWV-11-008](#) [6WWV-12-008](#) [6WWV-16-008](#) [71106-C](#) [71502-50](#) [71507-47-50](#) [72504-C-50](#) [72506-C](#) [72507-C-50](#) [72508-56](#) [73203](#) [75505-C-50](#) [7C1N08](#) [812-GP-3/4ST-09](#) [812-GPZ-03PSB](#) [8-1437402-5](#) [8-1437402-7](#) [8PCR-06-006](#) [8PCR-11-006](#)