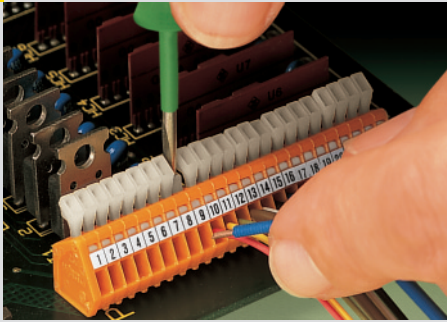
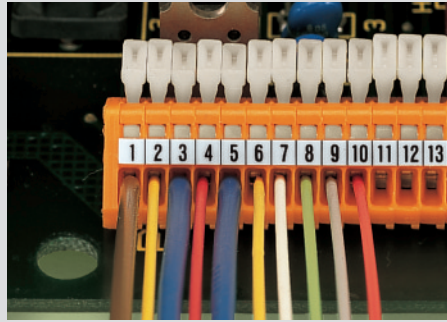


# Description and Handling PCB Terminal Strips with CAGE CLAMP® Series 233 and 234



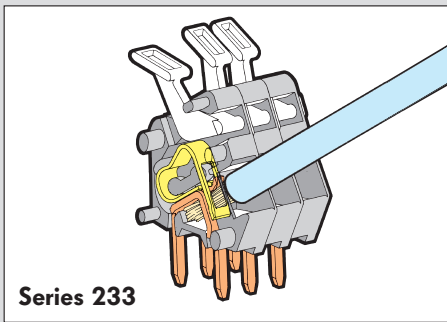
Connection/removal of conductors



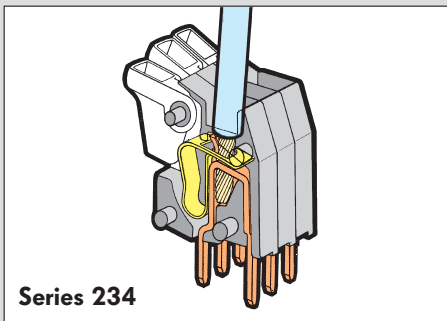
Rated cross section 0.5 mm<sup>2</sup>/AWG 20,  
in adjacent positions 0.75 mm<sup>2</sup>/AWG 18



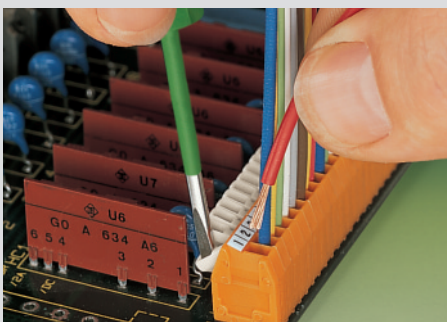
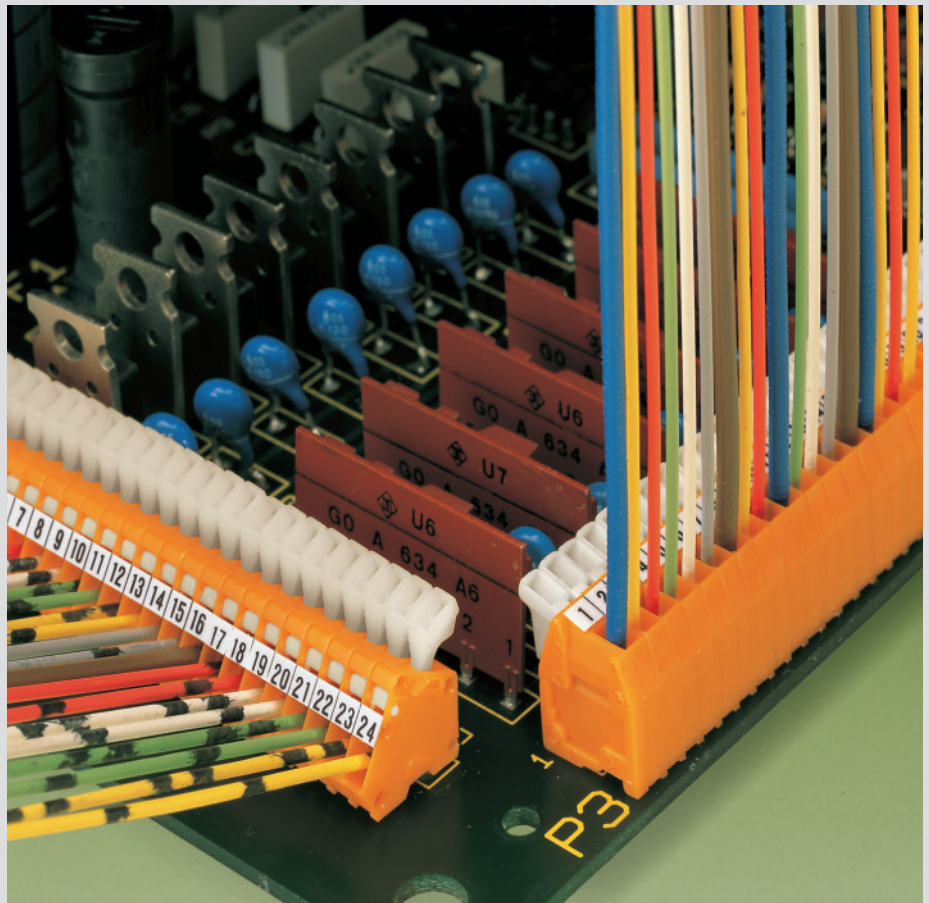
Marking with self-adhesive marker strips  
or with customized direct printing



Series 233



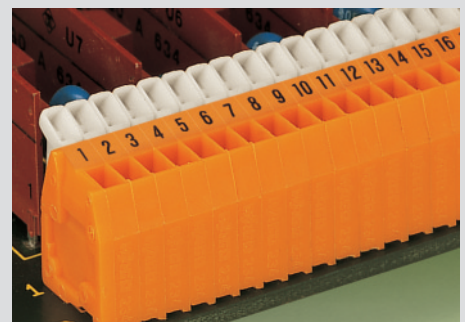
Series 234



Connection/removal of conductors



Rated cross section 0.5 mm<sup>2</sup>/AWG 20,  
in adjacent positions 0.75 mm<sup>2</sup>/AWG 18



Marking with self-adhesive marker strips  
or with customized direct printing

CAGE CLAMP®  
connects the following  
copper wires:\*

solid

stranded

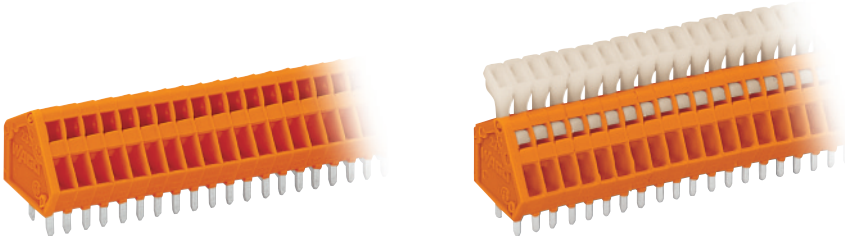
fine-stranded,  
also with tinned  
single strands

fine-stranded wire –  
tip bonded

\* For aluminum wires see notes in section 12!

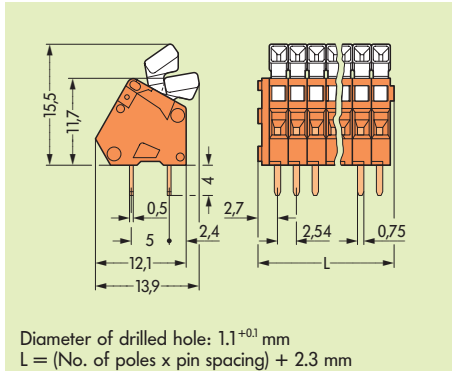
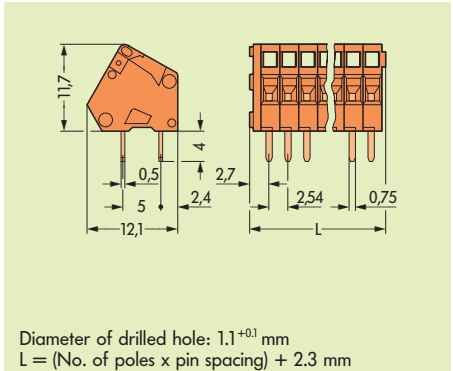
# PCB Terminal Strips 0.5 mm<sup>2</sup>/AWG 20 Pin Spacing 2.54 mm / 0.1 in; Series 233

<p>Pin spacing 2.54 mm/0.1 in 0.08 – 0.5 mm<sup>2</sup> ①   AWG 28 – 20 ① 250 V/2.5 kV/2   150 V, 4 A ② ③ 6 A</p> <p> 5 – 6 mm / 0.22 in</p> <p>*  GL BV NV ④ ⑤ ABS</p>	<p>Pin spacing 2.54 mm/0.1 in 0.08 – 0.5 mm<sup>2</sup> ①   AWG 28 – 20 ① 250 V/2.5 kV/2   150 V, 4 A ② ③ 6 A</p> <p> 5 – 6 mm / 0.22 in</p> <p>*  GL BV NV ④ ⑤ ABS</p>	<p><b>Accessories</b></p>
---	---	---------------------------



No. of poles	Item No.	Pack.-unit pcs	No. of poles	Item No.	Pack.-unit pcs	Item No.	Pack.-unit pcs
Terminal strips without push buttons, standard lengths, other lengths contact factory, 2 solder pins/pole, orange			Terminal strips with push buttons, standard lengths, other lengths contact factory, 2 solder pins/pole, orange			Marker cards, 100 self-adhesive strips per card	
2	233-402	600 (6 x 100)	2	233-502	600 (6 x 100)	<p>Marking - pin spacing 2.54 mm/0.1 in</p> <p>1-16 (400 x) <b>210-331/0254-0202</b> 1 card</p> <p>17-32 (400 x) <b>210-331/0254-0204</b> 1 card</p> <p>33-48 (400 x) <b>210-331/0254-0206</b> 1 card</p> <p>For direct printing, please contact factory</p>	
3	233-403	500 (4 x 125)	3	233-503	500 (4 x 125)		
4	233-404	400 (4 x 100)	4	233-504	400 (4 x 100)		
5	233-405	340 (4 x 85)	5	233-505	340 (4 x 85)		
6	233-406	280 (4 x 70)	6	233-506	280 (4 x 70)		
7	233-407	240 (4 x 60)	7	233-507	240 (4 x 60)		
8	233-408	220 (4 x 55)	8	233-508	220 (4 x 55)		
9	233-409	200 (4 x 50)	9	233-509	200 (4 x 50)		
10	233-410	180 (4 x 45)	10	233-510	180 (4 x 45)		
12	233-412	140 (4 x 35)	12	233-512	140 (4 x 35)		
16	233-416	100 (4 x 25)	16	233-516	100 (4 x 25)		
24	233-424	80 (4 x 20)	24	233-524	80 (4 x 20)		
Terminal strips without push buttons cannot be retrofitted with push buttons!							
For other colors, please contact factory			For other colors, please contact factory				

<b>Accessories</b>		
<p>Operating tool, for shop wiring</p> <p>see section 11</p>		
<b>Dimensions (in mm)</b>		



① in adjacent positions 0.75 mm<sup>2</sup>/AWG 18

\* Approvals with corresponding ratings see pages 12.3 ff.

## X-ON Electronics

Largest Supplier of Electrical and Electronic Components

*Click to view similar products for [wago innovative connections](#) manufacturer:*

Other Similar products are found below :

[2001-1207](#) [285-407](#) [830-1000/000-000](#) [2706-103](#) [830-800/000-305](#) [284-687](#) [216-206](#) [793-5666](#) [280-316](#) [284-684](#) [285-135](#) [285-435](#) [280-341](#) [284-681](#) [288-312](#) [2004-1291](#) [2706-105](#) [870-901](#) [281-107](#) [206-859](#) [250-204](#) [224-201](#) [60398801](#) [2006-1292](#) [812-103](#) [215-211](#) [2060-852/998-404](#) [2006-1201](#) [2004-402](#) [210-720](#) [2006-1392](#) [60373899](#) [793-5607](#) [2006-992](#) [261-104/341-000](#) [284-328](#) [215-411](#) [2006-1301](#) [870-911](#) [2004-1491](#) [2006-404](#) [2006-402](#) [216-203](#) [216-201](#) [2006-1391](#) [216-204](#) [222-413](#) [222-412](#)