

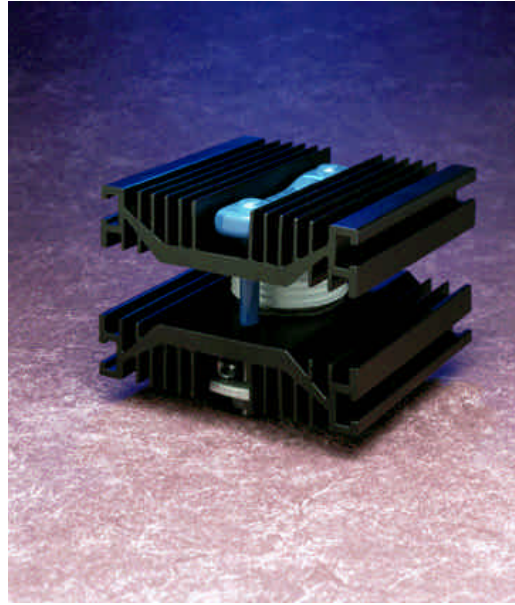


Wakefield Engineering Precision Clamp Systems

Series 130

Wakefield Engineering press pack heat sinks and compression clamp systems provide electrical and industrial equipment manufacturers with complete system solutions for proper installation and heat dissipation for high-power compression semiconductors.

These high-quality mounting clamp assemblies are the worldwide standard for mounting compression and clamping press-SCRs, thyristors, rectifiers, and other high power disc packaged devices utilized in power distribution equipment, industrial controls, transportation systems,



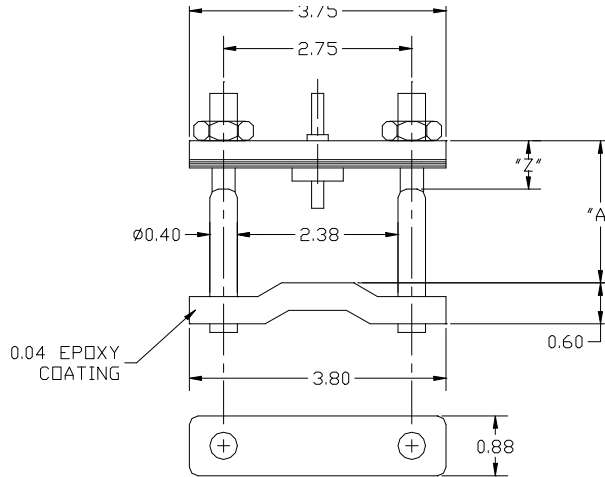
Features and Benefits:

- ◆ Positive nonbinding omnidirectional swivel saddle action
- ◆ Double-sided cooling
- ◆ One-piece epoxy insulation 5,000 VAC
- ◆ “Force Indicator Gauge”
- ◆ Various crossbar lengths available
- ◆ No loose parts to complicate assembly
- ◆ Assembles to 131/132/133 Series predrilled press pack heat sinks





**130 SERIES
COMPRESSION MOUNTING CLAMP
ASSEMBLIES FOR SEMICONDUCTORS**



**Crossbar Device Mounting Surface to Spring Assembly
Top surface (800 Ibs. - 2,000 Ibs) Dimension**

130 SERIES CROSSBAR				
Model No.	Min	"X" Dim in.	Max	Weight Ibs.
130-A	1.74	-	2.12	0.400
130-B	2.05	-	2.43	0.418
130-C	2.36	-	2.74	0.427
130-D	2.67	-	3.05	0.437
130-E	2.98	-	3.36	0.447
130-F	3.29	-	3.67	0.461
130-G	3.60	-	3.98	0.476
130-H	3.91	-	4.29	0.486
130-J	4.22	-	4.60	0.497
130-K	4.53	-	4.91	0.510
130-L	4.84	-	5.22	0.520
130-M	5.15	-	5.53	0.534
130-N	5.46	-	5.84	0.544
130-P	5.77	-	6.15	0.559

130 SERIES SPRING ASSEMBLY				
Model No.	No. of Leaves	'Z' Dim. in.	Max. Force Ibs.	Weight Ibs.
130-1	2	0.90	2,000	0.331
130-2	2	0.50	800	0.19
130-3	2	0.61	1,200	0.219
130-4	2	0.72	1,600	0.333
130-5	2	0.83	2,000	0.408



X-ON Electronics

Largest Supplier of Electrical and Electronic Components

Click to view similar products for [Heat Sinks](#) category:

Click to view products by [Wakefield](#) manufacturer:

Other Similar products are found below :

[581102B00000G](#) [630-35ABT3](#) [656-15ABPE](#) [657-20ABPNE](#) [7020B-TC12-MTG](#) [73452PPBA](#) [7G0011A](#) [PF720G](#) [A22-4026](#) [120-1873-007](#)
[HAH10L](#) [HF20](#) [1542256-2](#) [1542026-1](#) [1542616-1](#) [HS-2506-F1](#) [HS-87M0-F2](#) [218-40CTE3](#) [25-7520](#) [188854F00000G](#) [F-QB-F1](#)
[APA501-60-003](#) [253-122ABE-22](#) [PSC22CB](#) [CLP-201](#) [CLP212SG](#) [CLP-7701G](#) [HAA072](#) [HAA083](#) [HAF10L](#) [D10100-28](#) [TO5-002D](#)
[513101B02500G](#) [BDN183CBA01](#) [531202B0000](#) [HS-56M0-C1](#) [3-21053-4](#) [TX0506-1B](#) [TX1806B](#) [336614B-00000](#) [V2004X](#) [LAE66A3CB](#)
[WA-DT2-101E](#) [511-3U](#) [017177](#) [6110BG](#) [73381PPBA](#) [73403PPBA](#) [7G0047C](#) [8223-CL03](#)